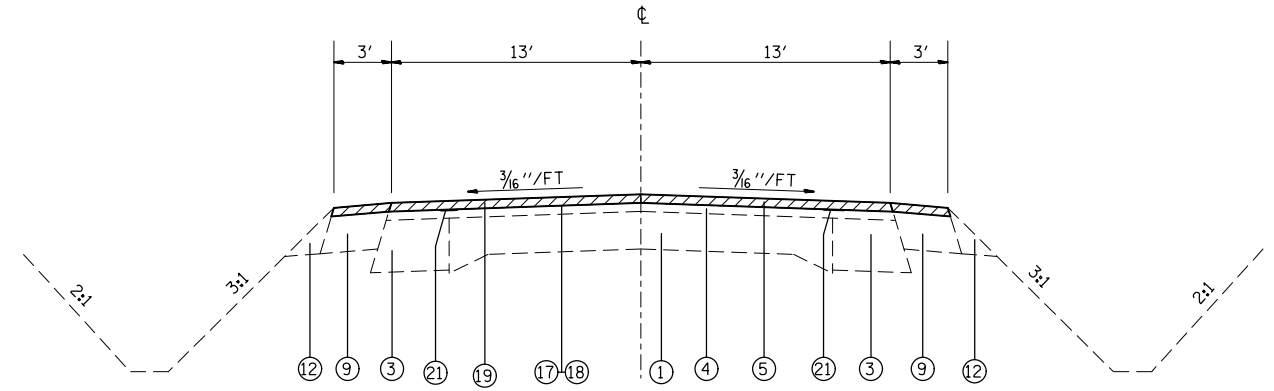
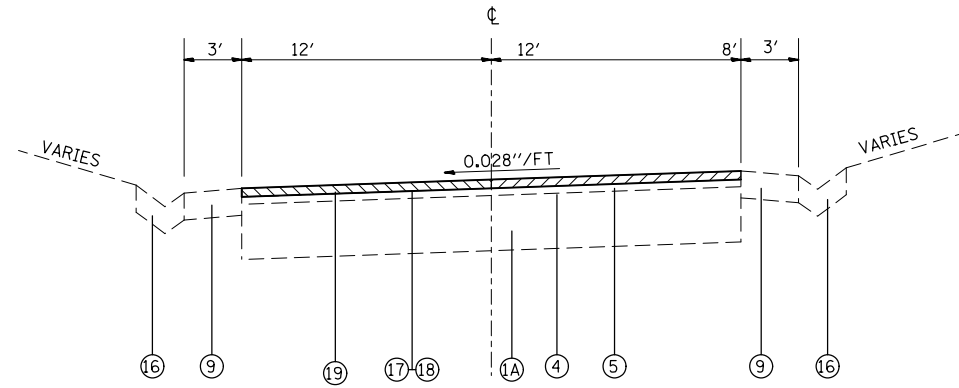


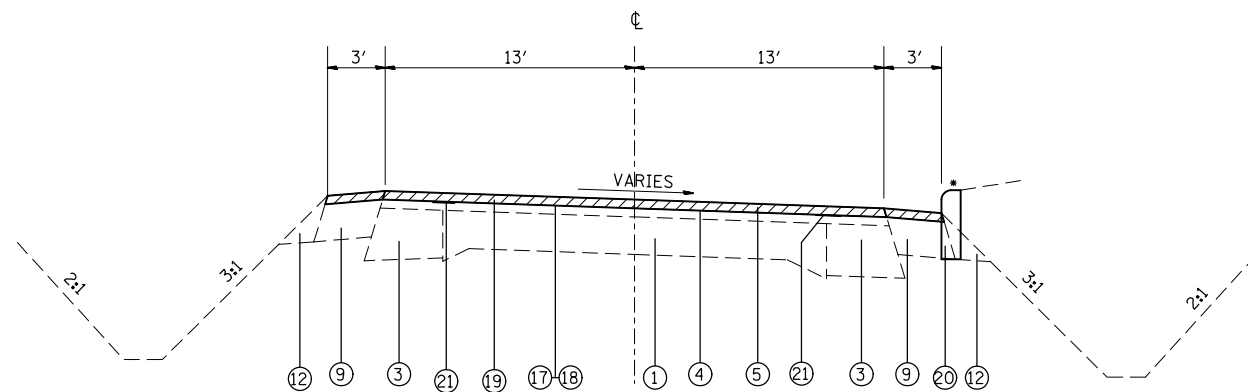
STA. 825+18.00 TO STA. 825+75.00



STA. 837+33.00 TO STA. 842+25.00
STA. 851+51.00 TO STA. 852+58.00



STA. 825+75.00 TO STA. 828+18.00



STA. 828+18.00 TO STA. 837+33.00
STA. 842+25.00 TO STA. 851+51.00
*STA. 849+15.00 TO STA. 851+15.00

NOTE: EXCAVATION IS INCLUDED IN COST OF CONCRETE CURB, TYPE B.

LEGEND

- ① EXISTING PAVEMENT (9-6-9)
- ①A EXISTING HOT-MIX ASPHALT BASE COURSE, 9"
- ② EXISTING PCC PAVEMENT 8"
- ③ EXISTING HOT-MIX ASPHALT BASE COURSE WIDENING
- ④ EXISTING HOT-MIX ASPHALT BINDER COURSE, VARIES
- ⑤ EXISTING HOT-MIX ASPHALT SURFACE COURSE, 1/2"
- ⑥ EXISTING GRANULAR SUBBASE
- ⑦ EXISTING HOT-MIX ASPHALT SHOULDERS, 8"
- ⑧ EXISTING AGGREGATE SHOULDER, 8"
- ⑨ EXISTING HOT-MIX ASPHALT SHOULDERS, 6"
- ⑩ EXISTING AGGREGATE SHOULDER, 6"
- ⑪ EXISTING HOT-MIX ASPHALT SHOULDERS
- ⑫ EXISTING AGGREGATE SHOULDER TYPE B
- ⑬ EXISTING HOT-MIX ASPHALT BINDER,
- ⑭ EXISTING CURB AND GUTTER
- ⑮ EXISTING TYPE A GUTTER
- ⑯ EXISTING TYPE B GUTTER
- ⑰ PROPOSED BITUMINOUS MATERIAL (PRIME COAT)
- ⑱ PROPOSED AGGREGATE (PRIME COAT)
- ⑲ PROPOSED HOT-MIX ASPHALT SURFACE COURSE, 2 1/4"
- ⑳ PROPOSED CONCRETE CURB TYPE B
- ㉑ PROPOSED STRIP REFLECTIVE CRACK CONTROL TREATMENT

HMA SURFACE REMOVAL, 2 1/4"

FILE NAME =	USER NAME = #USER*	DESIGNED - _____	REVISED - _____
#FILE#		DRAWN - _____	REVISED - _____
	PLOT SCALE = #SCALE*	CHECKED - _____	REVISED - _____
#MODELNAME*	PLOT DATE = #DATE*	DATE - _____	REVISED - _____

**STATE OF ILLINOIS
DEPARTMENT OF TRANSPORTATION**

TYPICAL SECTIONS

SCALE: _____ SHEET _____ OF _____ SHEETS STA. _____ TO STA. _____

F.A.P. RTE.	SECTION	COUNTY	TOTAL SHEETS	SHEET NO.
861	(110,111)RS-3	RANDOLPH	23	7
CONTRACT NO. 76G65				
ILLINOIS FED. AID PROJECT				