

STATE OF ILLINOIS
DEPARTMENT OF TRANSPORTATION

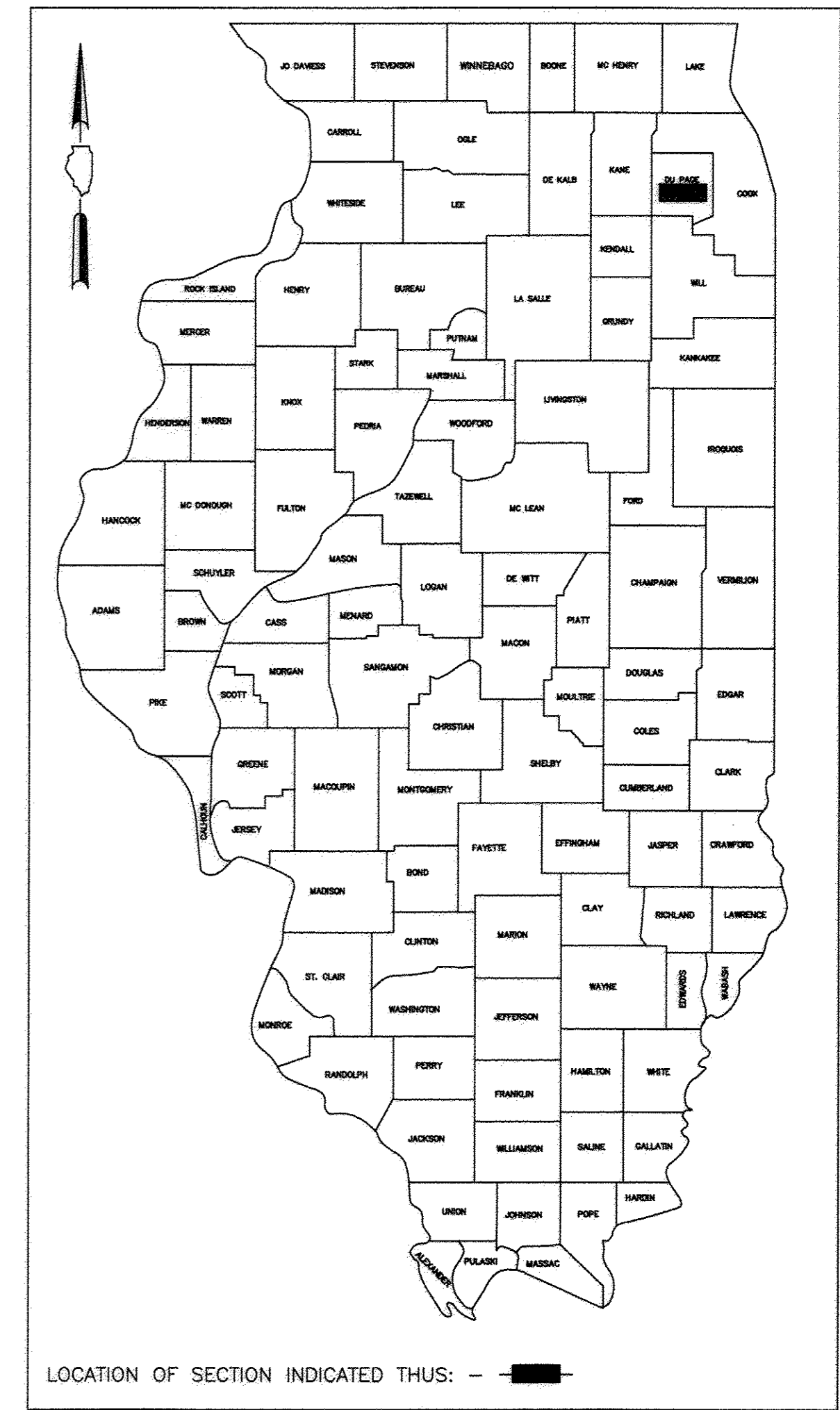
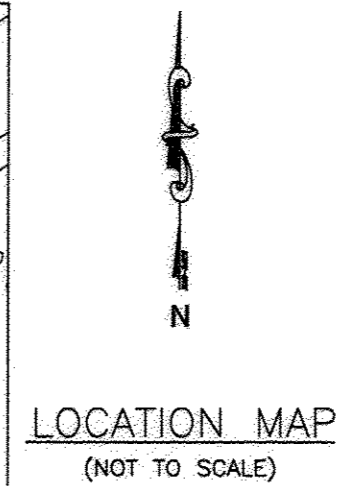
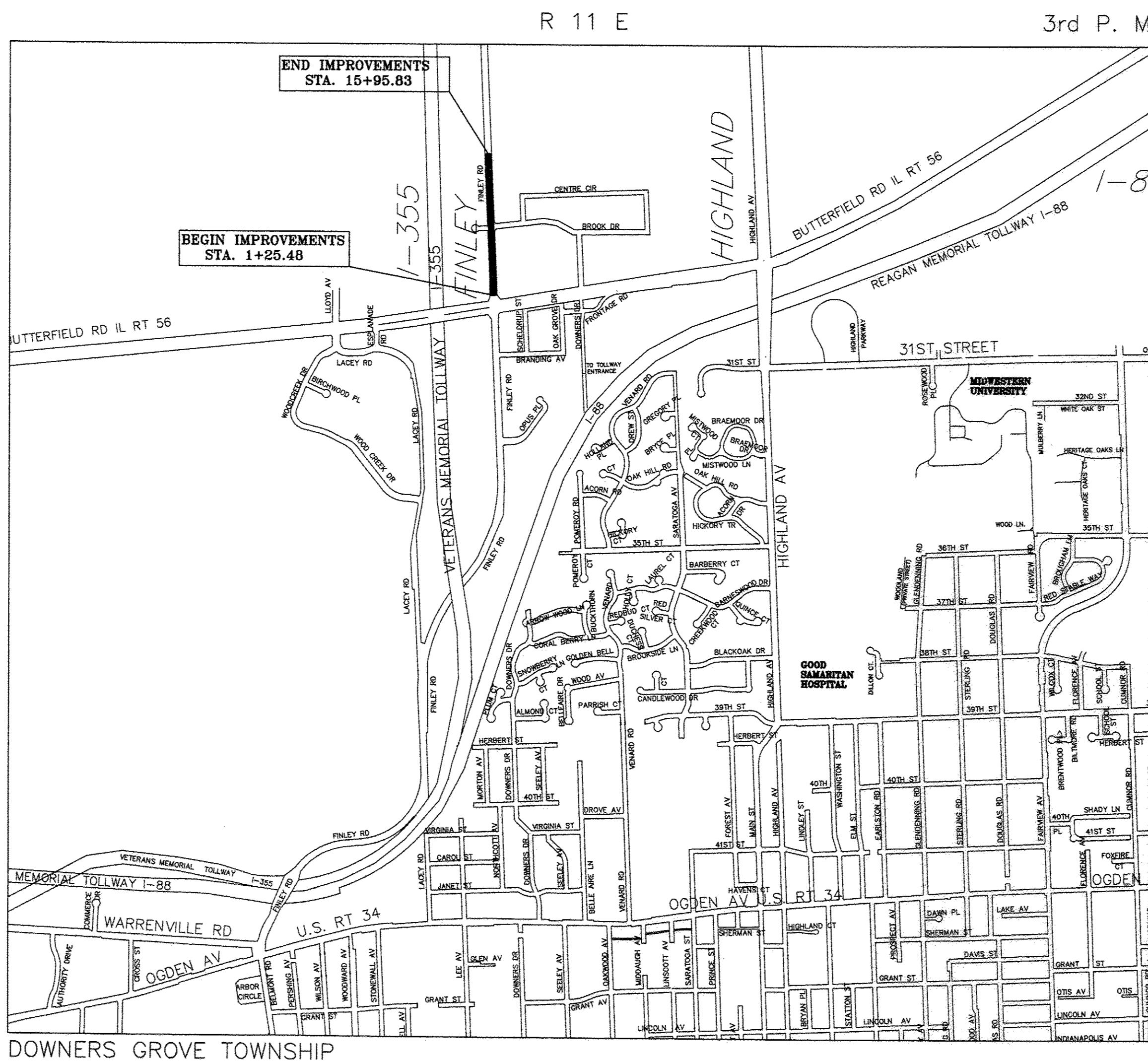
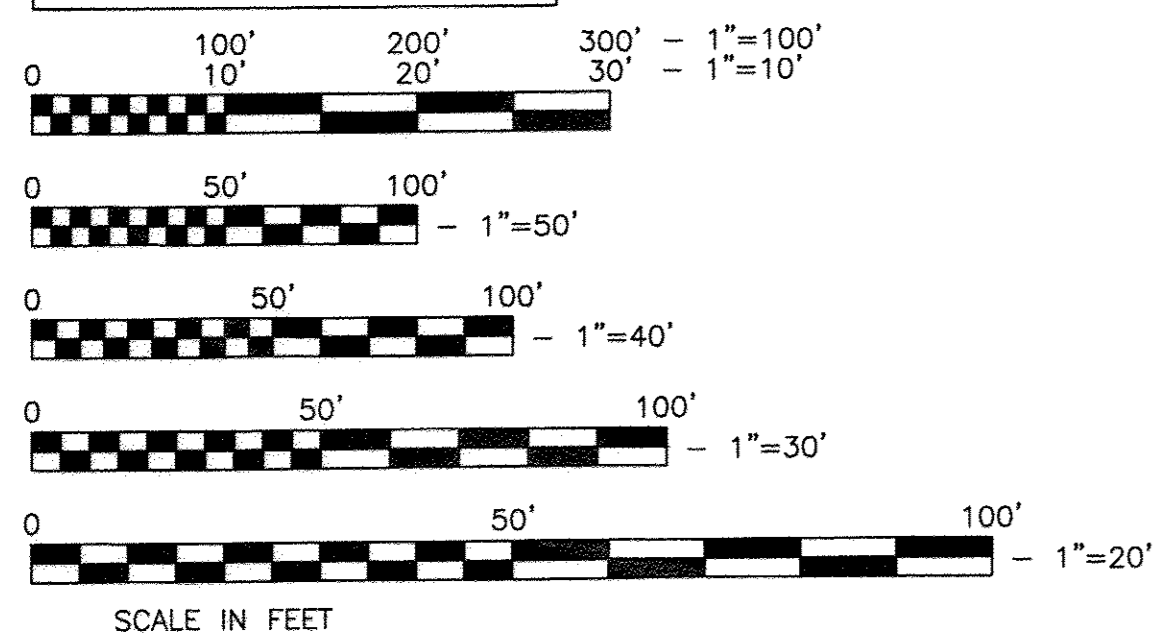
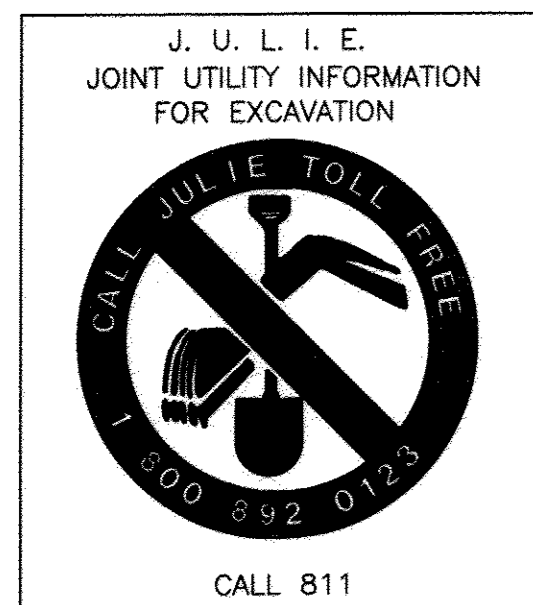
F. A. U. R.C.	SECTION	COUNTY	TOTAL SHEETS	SHEET NO.
2590	16-00111-00-RS	DU PAGE	19	1
FED. ROAD DIST. NO. 1	ILLINOIS	FED. AID PROJECT		
CONTRACT NO. 61D56				

**PLANS FOR PROPOSED
FEDERAL AID HIGHWAY
FAU ROUTE 2590 (FINLEY ROAD)
FAP 365 (BUTTERFIELD ROAD) TO VILLAGE LIMIT
RESURFACING**
SECTION: 16-00111-00-RS
PROJECT: M-4003(849)
VILLAGE OF DOWNERS GROVE
DU PAGE COUNTY
C-91-111-17

FOR INDEX OF SHEETS, SEE SHEET NO. 2

FOR LIST OF HIGHWAY STANDARDS, SEE SHEET NO. 2

FINLEY ROAD DESIGN DESIGNATION
MINOR ARTERIAL
DESIGN SPEED: 30 MPH
ADT: 22,000

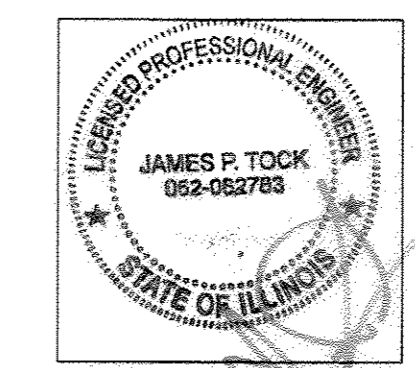


STATE OF ILLINOIS
DEPARTMENT OF TRANSPORTATION

APPROVED December 5 2016
Nancy Newlon
DIRECTOR OF PUBLIC WORKS, VILLAGE OF DOWNERS GROVE

PASSED December 19 2016
Christopher Hart
DIVISION ENGINEER OF LOCAL ROADS AND STREETS

RELEASING FOR BID
BASED ON LIMITED REVIEW December 20 2016
John F. Perry
REGIONAL ENGINEER



James P. Tock, P.E.
#062-062783
My License Expires 11/30/17

GROSS LENGTH: 1,748 FT = 0.33 MILE
NET LENGTH: 1,470 FT = 0.28 MILE

PRINTED BY THE AUTHORITY
OF THE STATE OF ILLINOIS

INDEX OF SHEETS

SHEET NO.	DESCRIPTION
1	COVER SHEET & LOCATION MAP
2	GENERAL NOTES & INDEX OF STANDARDS
3	SUMMARY OF QUANTITIES
4	EXISTING TYPICAL SECTIONS
5	PROPOSED TYPICAL SECTIONS
6	PLAN SHEET (STA 0+00 TO STA 6+00)
7	PLAN SHEET (STA 6+00 TO STA 12+00)
8	PLAN SHEET (STA 12+00 TO STA 17+48)
9	SIDEWALK DETAILS
10	VILLAGE DETAILS
11	BD-08 DETAILS FOR FRAMES AND LIDS ADJUSTMENT WITH MILLING
12	BD-22 PAVEMENT PATCHING FOR HMA SURFACED PAVEMENT
13	BD-32 BUTT JOINT AND HMA TAPER DETAILS
14	TC-10 TRAFFIC CONTROL AND PROTECTION FOR SIDE ROADS, INTERSECTIONS AND DRIVEWAYS
15	TC-13 DISTRICT ONE TYPICAL PAVEMENT MARKINGS DETAIL
16	TC-16 PAVEMENT MARKING LETTERS & SYMBOLS FOR TRAFFIC STAGING
17	TC-22 ARTERIAL ROAD INFORMATION SIGN
18	TS-05 DISTRICT 1 STANDARD TRAFFIC SIGNAL DESIGN DETAILS
19	TS-07 DISTRICT 1 - DETECTOR LOOP INSTALLATION DETAILS FOR ROADWAY RESURFACING

1. ALL REFERENCES TO THE 'VILLAGE' IN THESE GENERAL NOTES SHALL BE INTERPRETED TO MEAN THE VILLAGE OF DOWNERS GROVE.

2. ALL REFERENCES TO THE 'STANDARD SPECIFICATIONS' IN THESE GENERAL NOTES SHALL BE INTERPRETED TO MEAN THE 'STANDARD SPECIFICATIONS FOR ROAD AND BRIDGE CONSTRUCTION' ADOPTED BY THE ILLINOIS DEPARTMENT OF TRANSPORTATION (IDOT) ON APRIL 1, 2016, ALONG WITH SUPPLEMENTAL SPECIFICATIONS AND RECURRING SPECIAL PROVISIONS AS ADOPTED JANUARY 1, 2017.

3. THE LOCATIONS OF PUBLIC OR PRIVATE UTILITIES SHOWN ON THE PLANS ARE APPROXIMATE AND THE VILLAGE, DEPARTMENT, AND THE ENGINEERS DO NOT GUARANTEE THEIR ACCURACY. THE CONTRACTOR WILL BE REQUIRED TO ASCERTAIN THE EXACT LOCATION OF SUCH UTILITIES AND EXERCISE CARE DURING THE CONSTRUCTION OPERATION SO AS NOT TO DAMAGE THEM. IN ACCORDANCE WITH THE SPECIAL PROVISIONS AND ARTICLE 107.20 OF THE 'STANDARD SPECIFICATIONS' THE CONTRACTOR SHALL BE RESPONSIBLE FOR CONTACTING THE OWNERS OF ALL EXISTING UTILITIES SO THAT THEIR FACILITIES MAY BE LOCATED AND ADJUSTED OR MOVED, IF NECESSARY, PRIOR TO THE START OF CONSTRUCTION OPERATIONS.

4. THOSE EXISTING TRAFFIC SIGNS WHICH ARE SO DESIGNATED BY THE ENGINEER SHALL BE REMOVED, STORED AND SUBSEQUENTLY RELOCATED BY THE CONTRACTOR AT NO ADDITIONAL COST. ANY SIGNS WHICH ARE DAMAGED BY THE CONTRACTOR AS DETERMINED BY THE ENGINEER SHALL BE REPLACED IN KIND BY THE CONTRACTOR AND TO THE SATISFACTION OF THE ENGINEER AT NO ADDITIONAL COST.

5. ALL TRAFFIC CONTROL AND OTHER ADVISORY SIGNS NEEDED FOR CONSTRUCTION ARE TO BE FURNISHED BY THE CONTRACTOR IN ACCORDANCE WITH THE PLANS AND IDOT STANDARDS FOR TRAFFIC CONTROL AND PROTECTION.

6. SAW CUTTING OF PAVEMENTS, SIDEWALK, ETC. SHALL BE FULL DEPTH AND SHALL RESULT IN A CLEAN STRAIGHT EDGE ON THE PORTION REMAINING.

7. DEBRIS REMOVAL - MATERIALS RESULTING FROM THE VARIOUS CONSTRUCTION OPERATIONS SHALL BE REMOVED AT THE END OF EACH WORK DAY TO AN APPROVED SITE. IN THE JUDGEMENT OF THE ENGINEER, SHOULD IT BE NECESSARY TO REMOVE SUCH MATERIALS, THE ENGINEER WILL REMOVE MATERIALS AND THE CONTRACTOR SHALL BE BILLED ACCORDINGLY.

8. THE CONTRACTOR SHALL BE RESPONSIBLE FOR THE PROTECTION OF ALL UNDERGROUND OR SURFACE UTILITIES EVEN THOUGH THEY MAY NOT BE SHOWN ON THE PLANS. ANY UTILITY THAT IS DAMAGED DURING CONSTRUCTION SHALL BE REPAIRED OR REPLACED TO THE SATISFACTION OF THE ENGINEER. THE WORK SHALL BE AT THE CONTRACTOR'S EXPENSE.

9. WHENEVER, DURING CONSTRUCTION OPERATIONS, ANY LOOSE MATERIAL IS DEPOSITED IN THE FLOW LINE OF DRAINAGE STRUCTURES SUCH THAT THE NATURAL FLOW OF WATER IS OBSTRUCTED, IT SHALL BE REMOVED AT THE CLOSE OF EACH WORKING DAY. AT THE CONCLUSION OF CONSTRUCTION OPERATIONS, ALL DRAINAGE STRUCTURES SHALL BE FREE OF DIRT AND DEBRIS.

10. THE CONTRACTOR SHALL NOT OPEN OR SHUT ANY WATER VALVES OR FIRE HYDRANTS WITHOUT PRIOR AUTHORIZATION FROM THE VILLAGE WATER DEPARTMENT.

11. QUANTITIES FOR PATCHING SHALL NOT EXCEED THOSE PROVIDED IN THE SUMMARY OF QUANTITIES UNLESS APPROVED BY THE ENGINEER. THE ENGINEER WILL VERIFY FINAL PATCH LOCATIONS IN THE FIELD PRIOR TO REMOVAL.

12. HOT-MIX ASPHALT SURFACE REMOVAL BUTT JOINTS WILL BE INSTALLED AT THE ENDS OF ALL RESURFACING (WHERE RESURFACING MEETS EXISTING PAVEMENT), IN ACCORDANCE WITH THE BUTT JOINT AND HOT-MIX ASPHALT TAPER DETAILS SHEET INCLUDED IN THE PLANS, UNLESS OTHERWISE SPECIFIED.

13. THE THICKNESS OF THE HOT-MIX ASPHALT MIXTURES SHOWN IN THE PLANS ARE NORMAL. DEVIATIONS MAY OCCUR DUE TO IRREGULARITIES IN THE SURFACES OR BASE ON WHICH THEY ARE PLACED. PLAN THICKNESS SHOULD BE CONSIDERED THE MINIMUM THICKNESS PERMITTED.

14. MAILBOXES WHICH ARE IN CONFLICT WITH PROPOSED IMPROVEMENTS SHALL BE REMOVED, TEMPORARILY RELOCATED, AND REPLACED UPON COMPLETION OF THE PROPOSED IMPROVEMENTS IN ACCORDANCE WITH ARTICLE 107.20 AND AS DIRECTED BY THE ENGINEER.

15. THE CONTRACTOR SHALL NOT PLACE SOD UNTIL THE TEMPERATURE IS 80 DEGREES OR LESS AND THE FORECAST FOR THE NEXT 7 DAYS SHOWS TEMPERATURES OF 80 DEGREES OR LESS. IF ALL OTHER PAY ITEMS ARE COMPLETED THE CONTRACTOR WILL NOT BE CHARGED WORKING DAYS FOR DELAYS IN PARKWAY RESTORATION DUE TO TEMPERATURE.

16. SPECIAL ATTENTION IS CALLED TO ARTICLE 107.30 OF THE STANDARD SPECIFICATIONS. THE CONTRACTOR SHALL BE RESPONSIBLE FOR THE DEFACEMENT OF ANY CONCRETE POURS BEFORE THEY HAVE SET UP. CONCRETE SIDEWALK, DRIVEWAY, CURB, AND CURB AND GUTTER THAT HAVE BEEN DEFACED, IN THE OPINION OF THE ENGINEER, SHALL BE REMOVED AND REPLACED BY THE CONTRACTOR AT HIS/HER EXPENSE.

17. FOR WORK OUTSIDE LIMITS OF BRIDGE APPROACH PAVEMENT, ALL REFERENCES IN THE HIGHWAY STANDARDS AND STANDARD SPECIFICATIONS FOR REINFORCEMENT, DOWEL BARS AND TIE BARS IN PAVEMENT, SHOULDERS, CURB, GUTTER, COMBINATION CURB AND GUTTER AND MEDIAN, AND CHAIR SUPPORTS FOR CRC PAVEMENT, SHALL BE EPOXY COATED, UNLESS NOTED ON THE PLAN.

IDOT STANDARDS

000001-06	STANDARD SYMBOLS, ABBREVIATIONS, AND PATTERNS
280001-07	TEMPORARY EROSION CONTROL SYSTEMS
424001-09	PERPENDICULAR CURB RAMPS FOR SIDEWALKS
424016-03	MID-BLOCK CURB RAMPS FOR SIDEWALKS
442201-03	CLASS C & D PATCHES
606001-06	CONCRETE CURB TYPE B & COMBINATION CONCRETE CURB AND GUTTER
701101-05	OFF-RD OPERATIONS, MULTILANE, 15' TO 24" FROM PAVEMENT EDGE
701427-05	LANE CLOSURE, MULTILANE, INTERMITTENT OR MOVING OPER., FOR SPEEDS < 40 MPH
701601-09	URBAN LANE CLOSURE, MULTILANE, 1W OR 2W WITH NONTRAVERSABLE MEDIAN
701701-10	URBAN LANE CLOSURE, MULTILANE INTERSECTION
701801-06	SIDEWALK, CORNER OR CROSSWALK CLOSURE
701901-06	TRAFFIC CONTROL DEVICES
780001-05	TYPICAL PAVEMENT MARKINGS
886001-01	DETECTOR LOOP INSTALLATIONS

FILE NAME =	USER NAME -- USER	DESIGNED -- NRH	REVISED
FILE NAME =		DRAWN -- NRH	REVISED
	PLOT SCALE --	CHECKED -- JPT	REVISED
	PLOT DATE -- 09/30/16	DATE -- 09/30/16	REVISED

STATE OF ILLINOIS
DEPARTMENT OF TRANSPORTATION

FINLEY ROAD IMPROVEMENTS
GENERAL NOTES AND INDEX OF STANDARDS

NOT TO SCALE SHEET NO. 1 OF 1 SHEETS STA. TO STA.

FAU. RTE.	SECTION	COUNTY	TOTAL SHEETS	SHEET NO.
2590	16-00111-00-RS	DU PAGE	19	2
CONTRACT NO. 61D56				
FED. ROAD DIST. NO. 1	ILLINOIS	FED. AID PROJECT		

SUMMARY OF QUANTITIES

FINLEY ROAD				
CODE NO.	ITEM	UNIT	TOTAL QUANTITY	CONSTRUCTION TYPE CODE 0005
21101615	TOPSOIL FURNISH AND PLACE, 4"	SQ YD	180	180
25200110	SODDING, SALT TOLERANT	SQ YD	180	180
25200200	SUPPLEMENTAL WATERING	UNIT	5	5
28000510	INLET FILTERS	EACH	17	17
40600290	BITUMINOUS MATERIALS (TACK COAT)	POUND	9,680	9,680
40600827	POLYMERIZED LEVELING BINDER (MACHINE METHOD), IL-4.75, N50	TON	465	465
40600982	HOT-MIX ASPHALT SURFACE REMOVAL - BUTT JOINT	SQ YD	150	150
40603340	HOT-MIX ASPHALT SURFACE COURSE, MIX "D", N70	TON	930	930
42400200	PORTLAND CEMENT CONCRETE SIDEWALK 5 INCH	SQ FT	1,250	1,250
42400800	DETECTABLE WARNINGS	SQ FT	70	70
44000100	PAVEMENT REMOVAL	SQ YD	60	60
44000157	HOT-MIX ASPHALT SURFACE REMOVAL, 2"	SQ YD	10,700	10,700
44000500	COMBINATION CURB AND GUTTER REMOVAL	FOOT	540	540
44000600	SIDEWALK REMOVAL	SQ FT	1,250	1,250
44201798	CLASS D PATCHES, TYPE I, 13 INCH	SQ YD	275	275
44201803	CLASS D PATCHES, TYPE II, 13 INCH	SQ YD	275	275
44201807	CLASS D PATCHES, TYPE III, 13 INCH	SQ YD	275	275
44201809	CLASS D PATCHES, TYPE IV, 13 INCH	SQ YD	275	275
60300305	FRAMES AND LIDS TO BE ADJUSTED	EACH	6	6
60406000	FRAMES AND LIDS, TYPE 1, OPEN LID	EACH	1	1
60406100	FRAMES AND LIDS, TYPE 1, CLOSED LID	EACH	1	1
60603800	COMBINATION CONCRETE CURB AND GUTTER, TYPE B-6.12	FOOT	540	540
67100100	MOBILIZATION	LSUM	1	1
70102631	TRAFFIC CONTROL AND PROTECTION, STANDARD 701601	LSUM	1	1
70102635	TRAFFIC CONTROL AND PROTECTION, STANDARD 701701	LSUM	1	1
70102640	TRAFFIC CONTROL AND PROTECTION, STANDARD 701801	LSUM	1	1

FINLEY ROAD				
CODE NO.	ITEM	UNIT	TOTAL QUANTITY	CONSTRUCTION TYPE CODE 0005
70300100	SHORT TERM PAVEMENT MARKING	FOOT	3,300	3,300
70300150	SHORT TERM PAVEMENT MARKING REMOVAL	SQ FT	1,950	1,950
70300210	TEMPORARY PAVEMENT MARKING LETTERS AND SYMBOLS	SQ FT	875	875
* 78000100	THERMOPLASTIC PAVEMENT MARKING - LETTERS AND SYMBOLS	SQ FT	310	310
* 78000200	THERMOPLASTIC PAVEMENT MARKING - LINE 4"	FOOT	3,300	3,300
* 78000400	THERMOPLASTIC PAVEMENT MARKING - LINE 6"	FOOT	1,400	1,400
* 78000650	THERMOPLASTIC PAVEMENT MARKING - LINE 24"	FOOT	200	200
* 88600600	DETECTOR LOOP REPLACEMENT	FOOT	480	480
X0320050	CONSTRUCTION LAYOUT (SPECIAL)	LSUM	1	1
X2800510	INLET FILTER CLEANING	EACH	17	17
X6061005	CONCRETE CURB TYPE B (SPECIAL)	FOOT	25	25
X6030310	FRAMES AND LIDS TO BE ADJUSTED, (SPECIAL)	EACH	1	1
Z0004530	HOT MIX ASPHALT DRIVEWAY PAVEMENT, 8"	SQ YD	125	125
Z0030850	TEMPORARY INFORMATION SIGNING	SQ FT	105	105

* DENOTES SPECIALTY ITEM

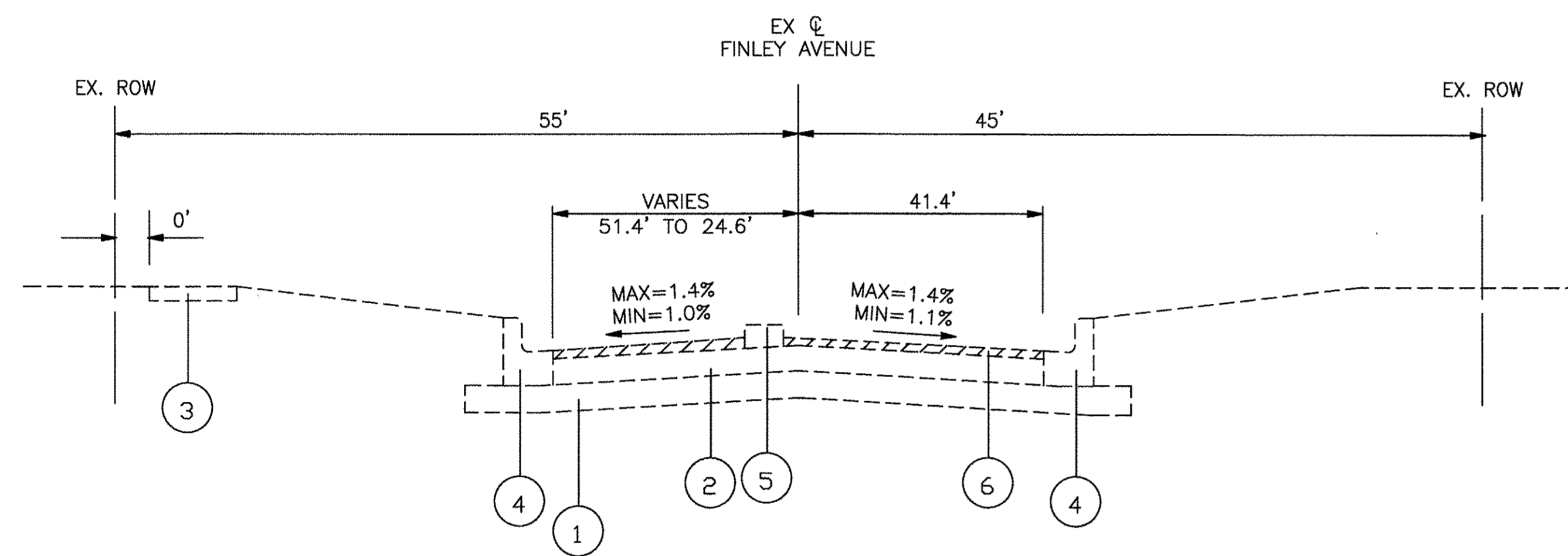
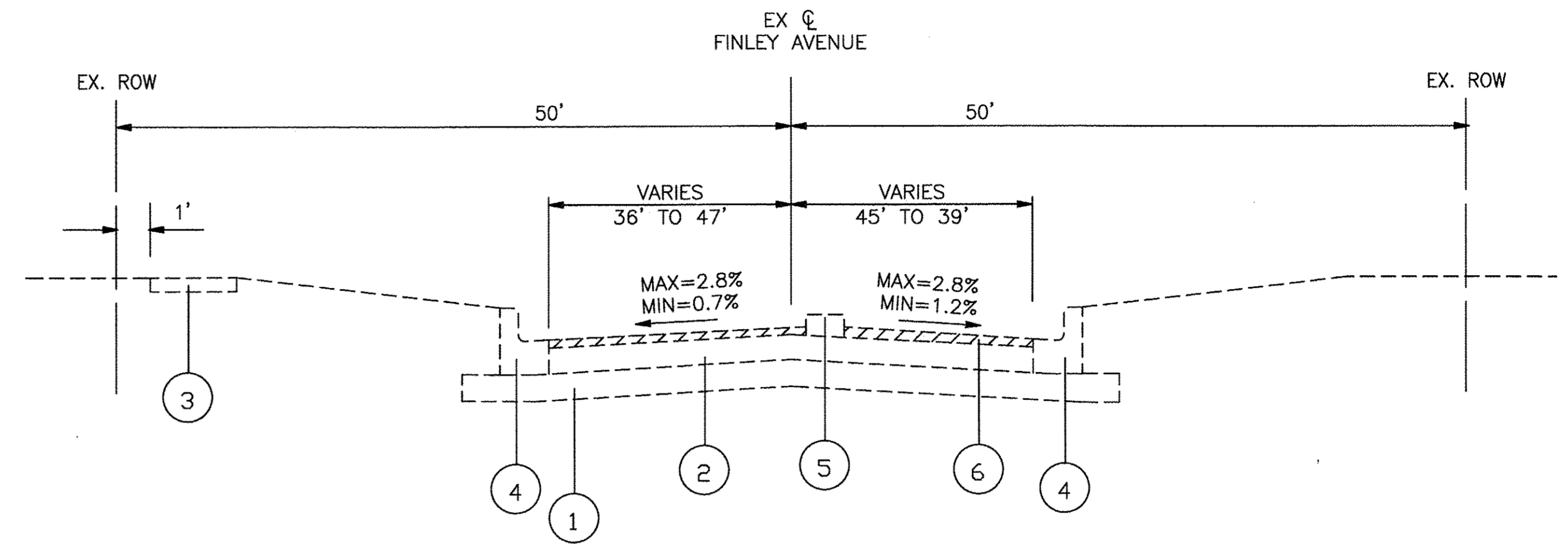
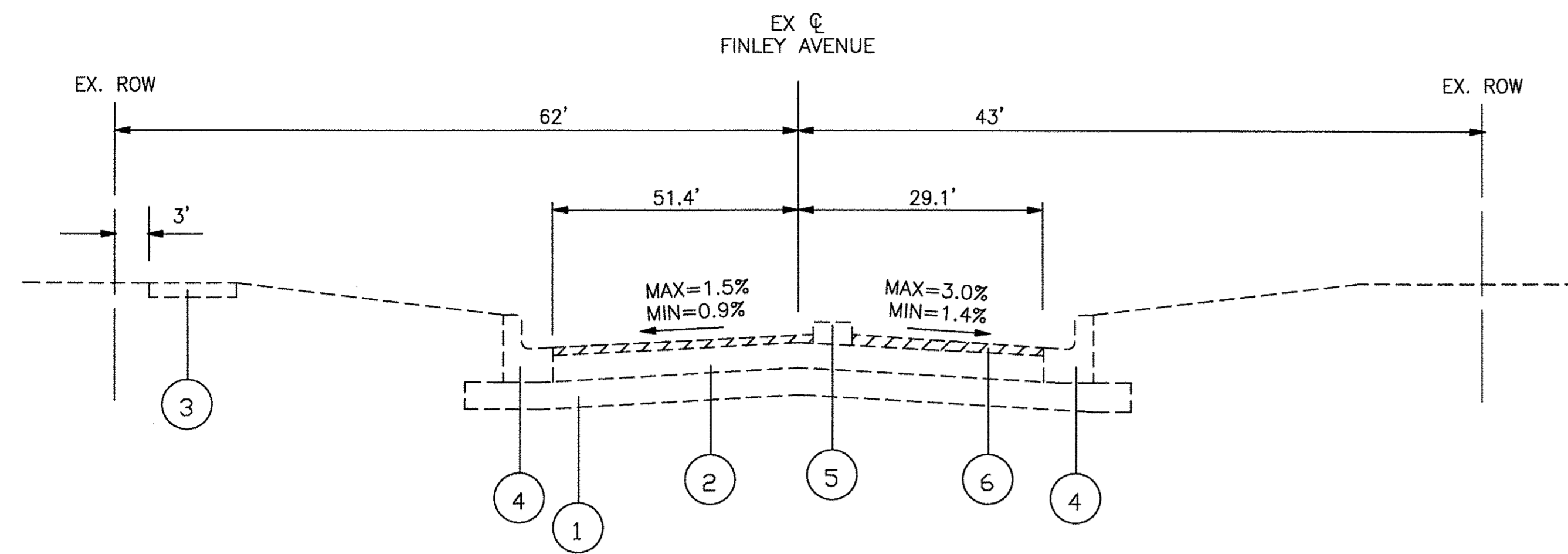
FILE NAME =	USER NAME - USER	DESIGNED - NRH	REVISED
FILE NAME =		DRAWN - NRH	REVISED
	PLOT SCALE -	CHECKED - JPT	REVISED
	PLOT DATE - 09/30/16	DATE - 09/30/16	REVISED

STATE OF ILLINOIS
DEPARTMENT OF TRANSPORTATION

FINLEY ROAD IMPROVEMENTS
SUMMARY OF QUANTITIES

P. A. U. NO.	SECTION	COUNTY	TOTAL SHEETS	SHEET NO.
2590	16-00111-00-RS	DU PAGE	19	3
CONTRACT NO. 61D56				
FED. ROAD DIST. NO. 1		ILLINOIS	FED. AID PROJECT	

NOT TO SCALE SHEET NO. 1 OF 1 SHEETS STA. TO STA.



LEGEND

- ① EXISTING SUBGRADE
- ② EXISTING BITUMINOUS PAVEMENT, 8.5" - 15", VARIES
- ③ EXISTING PORTLAND CEMENT CONCRETE SIDEWALK
- ④ EXISTING COMBINATION CONCRETE CURB & GUTTER, TYPE B6.12
- ⑤ EXISTING CONCRETE MEDIAN
- ⑥ PROPOSED HMA SURFACE REMOVAL, 2"

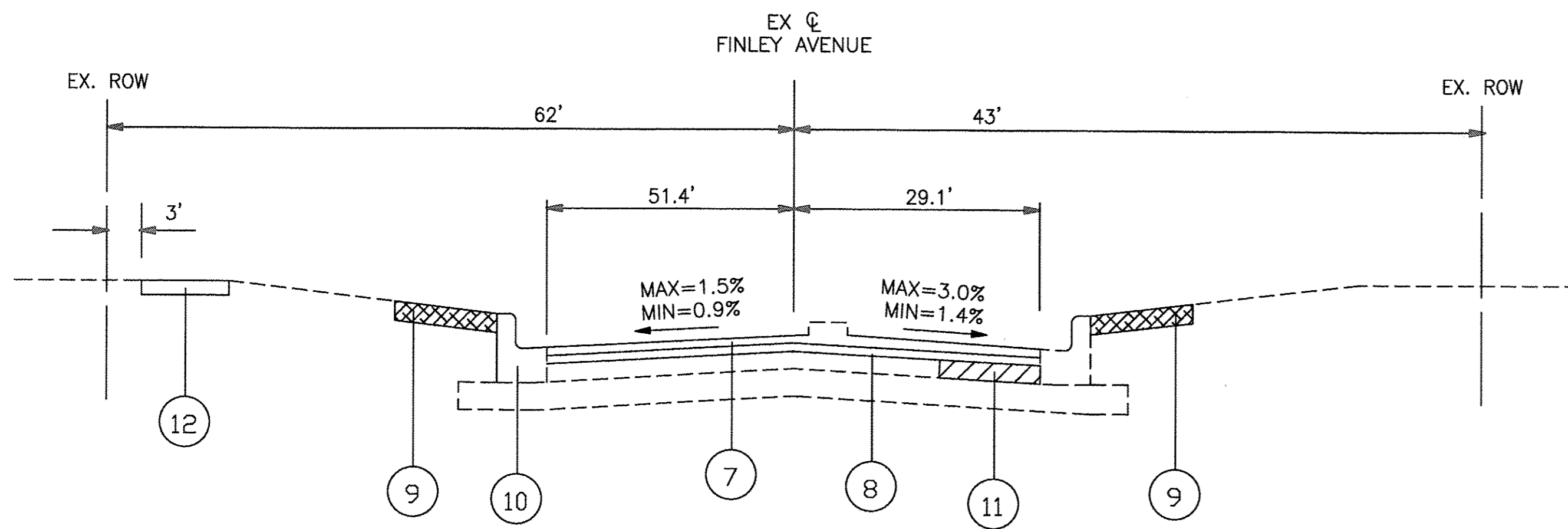
FILE NAME =	USER NAME -- USER	DESIGNED -- NRH	REVISED
FILE NAME =		DRAWN -- NRH	REVISED
	PLOT SCALE --	CHECKED -- JPT	REVISED
	PLOT DATE -- 09/30/16	DATE -- 09/30/16	REVISED

STATE OF ILLINOIS
DEPARTMENT OF TRANSPORTATION

FINLEY ROAD IMPROVEMENTS
EXISTING TYPICAL SECTIONS

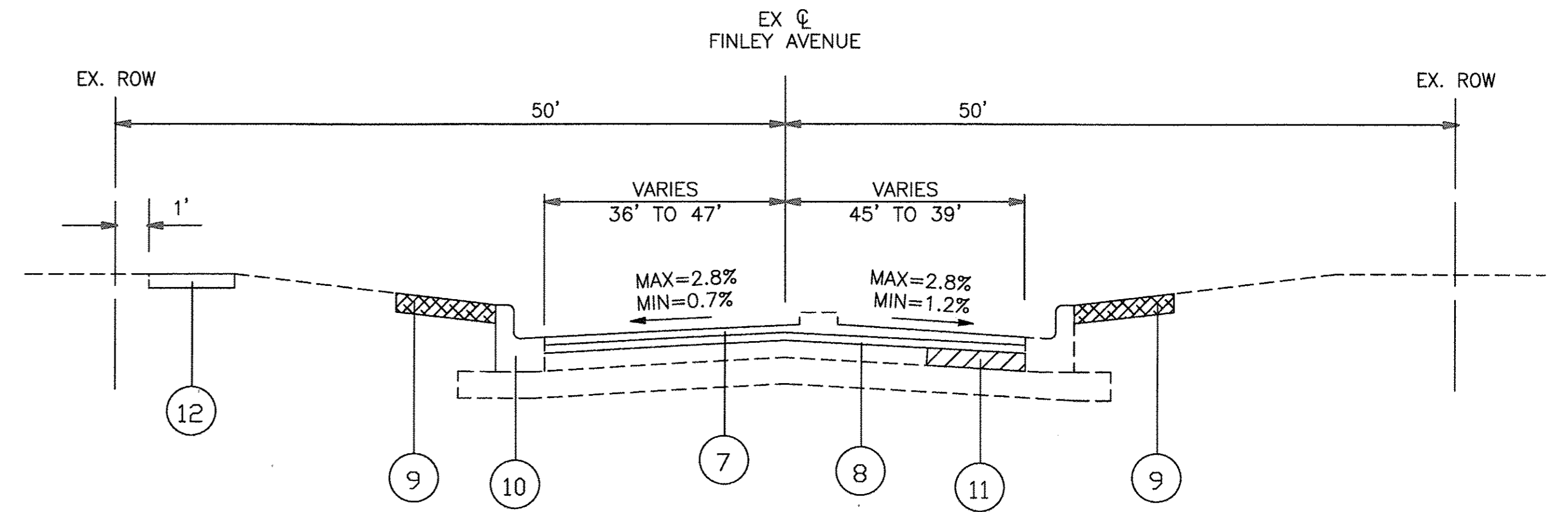
NOT TO SCALE SHEET NO. 1 OF 1 SHEETS STA. TO STA.

F. A. U. RFE.	SECTION	COUNTY	TOTAL SHEETS	SHEET NO.
2590	16-00111-00-RS	DU PAGE	19	4
CONTRACT NO. 61D56				
FED. ROAD DIST. NO. 1	ILLINOIS	FED. AID PROJECT		



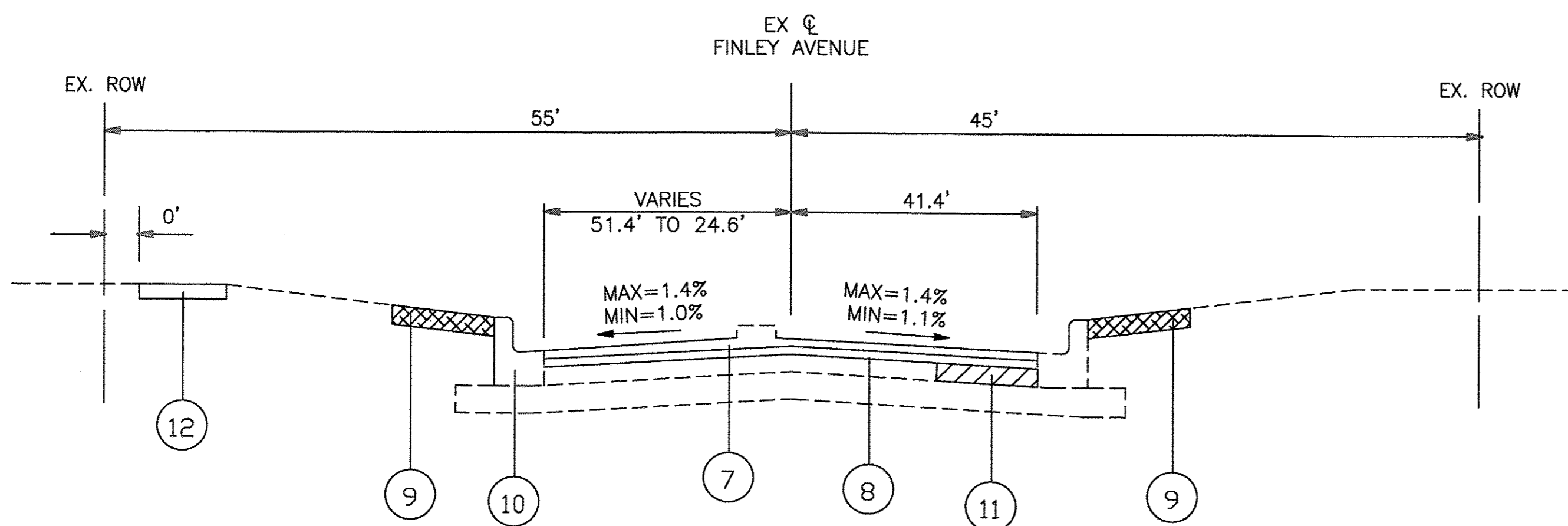
PROPOSED TYPICAL SECTION

STA. 1+30 TO STA. 3+14, FINLEY ROAD



PROPOSED TYPICAL SECTION

STA. 4+19 TO STA. 15+96, FINLEY ROAD



PROPOSED TYPICAL SECTION

STA. 3+14 TO STA. 4+19, FINLEY ROAD TAPER SECTION

LEGEND

- ⑦ PROPOSED HMA SURFACE COURSE, MIX "D", N70, 1 1/2"
- ⑧ PROPOSED POLYMERIZED LEVELING BINDER (MACHINE METHOD), IL-4.75, N50, 3/4"
- ⑨ PROPOSED SODDING, SALT TOLERANT & TOP SOIL FURNISH AND PLACE, 4" (LOCATIONS DETERMINED IN FIELD BY ENGINEER)
- ⑩ PROPOSED COMBINATION CONCRETE CURB & GUTTER, TYPE B6.12 REPLACEMENT WHERE SHOWN ON PLANS
- ⑪ CLASS D PATCH, 13" (LOCATION AND DIMENSIONS DETERMINED IN FIELD BY ENGINEER)
- ⑫ PCC SIDEWALK, 5" REPLACEMENT (LOCATIONS DETERMINED IN FIELD BY ENGINEER)

CONTRACTOR SHALL MILL FIRST BEFORE PATCHING

HOT-MIX ASPHALT MIXTURE REQUIREMENTS

MIXTURE TYPE	AIR VOIDS @ Ndes
HOT MIX ASPHALT SURFACE COURSE, MIX "D", N70 (IL 9.5 mm), 1 1/2"	4% @ 70 GYR
POLYMERIZED LEVELING BINDER (MACHINE METHOD), IL-4.75, N50, 3/4"	3.5% @ 50 GYR
DRIVEWAY: HOT MIX ASPHALT SURFACE COURSE, MIX "D" N70 - 8"	4% @ 70 GYR
CLASS D PATCHES, (HMA BINDER) IL-19mm, N70, 13" (IN 3 LIFTS)	4% @ 70 GYR

-THE UNIT WEIGHT USED TO CALCULATE ALL HMA SURFACE MIXTURE QUANTITIES IS 112 LBS/SQYD/IN.

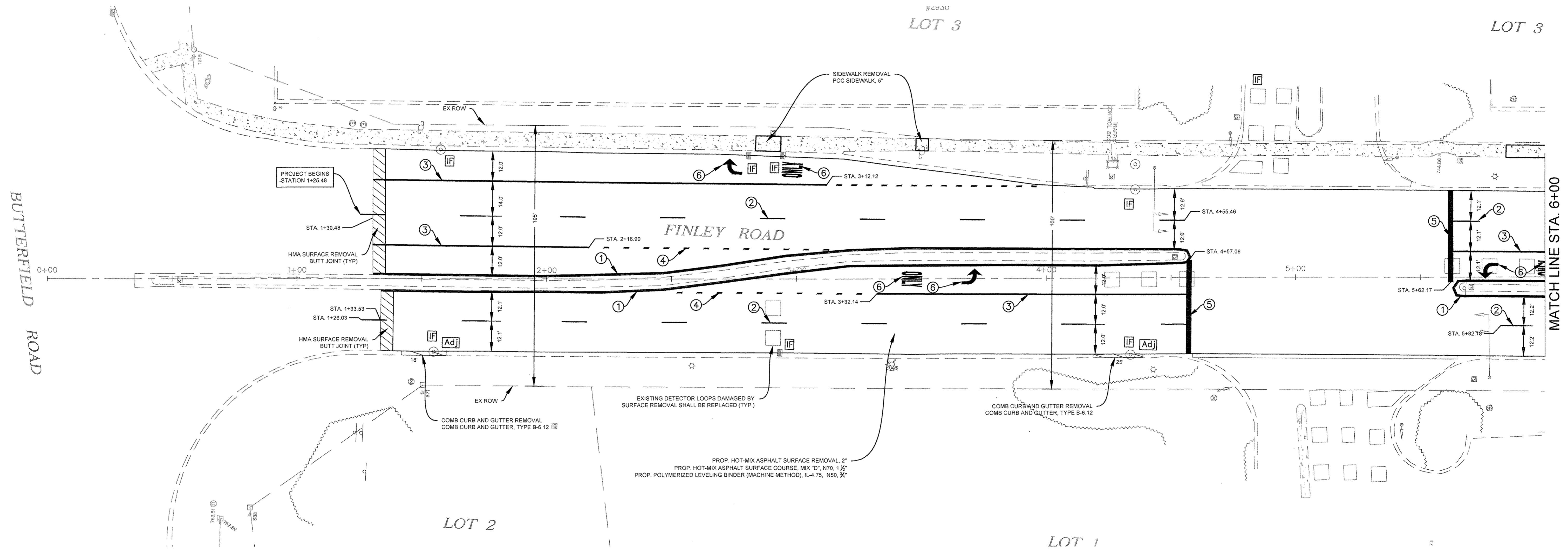
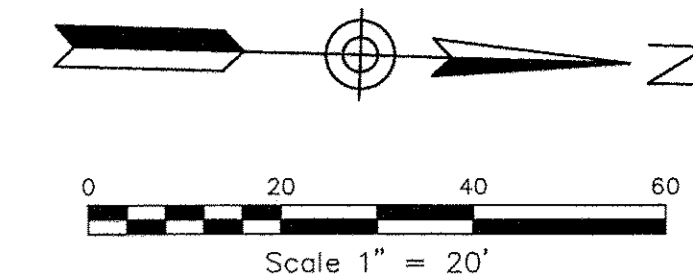
-THE "AC TYPE" FOR POLYMERIZED HMA MIXES SHALL BE "SBS/SBR PG 76 - 22" AND FOR NON-POLYMERIZED HMA THE "AC TYPE" SHALL BE "PG 64 - 22" UNLESS MODIFIED BY DISTRICT ONE SPECIAL PROVISIONS. FOR "PERCENT OF RAP" SEE DISTRICT ONE SPECIAL PROVISIONS.

FILE NAME =	USER NAME - USER	DESIGNED - NRH	REVISED
FILE NAME =		DRAWN - NRH	REVISED
	PLOT SCALE -	CHECKED - JPT	REVISED
	PLOT DATE - 09/30/16	DATE - 09/30/16	REVISED

STATE OF ILLINOIS
DEPARTMENT OF TRANSPORTATION

FINLEY ROAD IMPROVEMENTS
PROPOSED TYPICAL SECTIONS

NOT TO SCALE	SHEET NO. 1 OF 1 SHEETS	STA. TO STA.	F. A. U. 2590	SECTION 16-00111-00-RS	COUNTY DU PAGE	TOTAL SHEETS 19	SHEET NO. 5
			FED. ROAD DIST. NO. 1		ILLINOIS	FED. AID PROJECT	



NOTES

1. CLASS D PATCHES, 13" AS DIRECTED BY THE ENGINEER.
2. ALL EXISTING DRAINAGE STRUCTURES WHICH ARE TO BE ADJUSTED SHALL BE CLEANED IN ACCORDANCE WITH ARTICLE 602.15 OF THE STANDARD SPECIFICATIONS. THE COST OF THIS WORK SHALL BE INCLUDED IN THE COST OF THE ADJUSTMENT ITEM.
3. TOPSOIL, SODDING LOCATIONS/PLACEMENT TO BE DETERMINED IN THE FIELD BY THE ENGINEER.
4. SIDEWALK REMOVAL AND REPLACEMENT LIMITS AND LOCATIONS TO BE DETERMINED IN THE FIELD BY THE ENGINEER.
5. DRIVEWAY PAVEMENT AND CURB AND GUTTER REPLACEMENT AT DRIVEWAYS AND BROOK DRIVE TO BE PHASED TO ALLOW INGRESS AND EGRESS DURING CONSTRUCTION.

LEGEND

- [Adj] DRAINAGE & UTILITY STRUCTURES TO BE ADJUSTED
- [Adj-S] SANITARY STRUCTURE TO BE ADJUSTED SEE DETAIL ON SHEET 10
- [IF] INLET FILTERS

PAVEMENT MARKING LEGEND

- ① 4" YELLOW THERMOPLASTIC LINE - SOLID
- ② 4" WHITE THERMOPLASTIC LINE - SKIP DASH
- ③ 6" WHITE THERMOPLASTIC LINE - SOLID
- ④ 6" WHITE THERMOPLASTIC LINE - SKIP DASH
- ⑤ 24" WHITE THERMOPLASTIC LINE - SOLID
- ⑥ LETTERS AND SYMBOLS - FULL SIZE

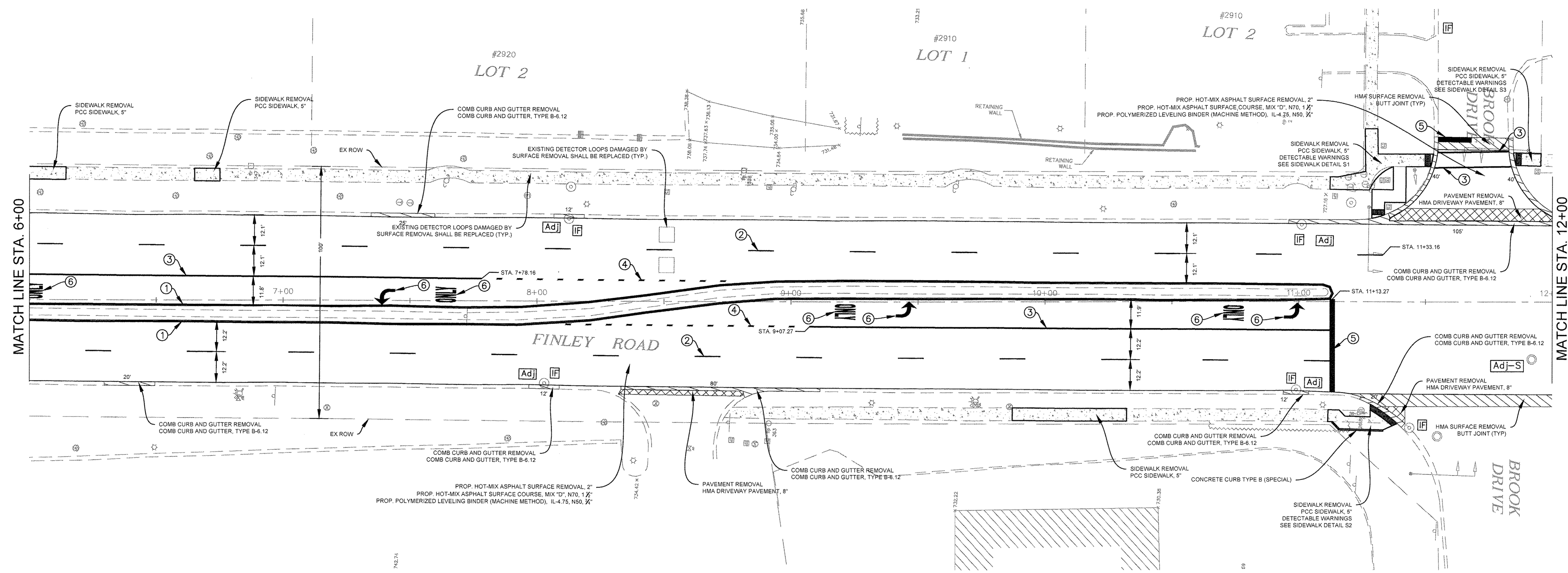
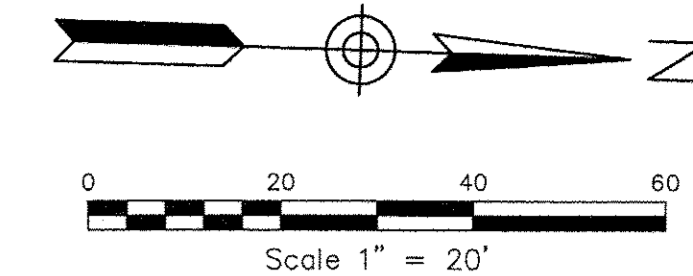
FILE NAME =	USER NAME - USER	DESIGNED - NRH	REVISED
FILE NAME =		DRAWN - NRH	REVISED
	PLOT SCALE -	CHECKED - JPT	REVISED
	PLOT DATE - 09/30/16	DATE - 09/30/16	REVISED

STATE OF ILLINOIS
DEPARTMENT OF TRANSPORTATION

FINLEY ROAD IMPROVEMENTS
IMPROVEMENT PLAN

SCALE: 1"=20' SHEET NO. 1 OF 3 SHEETS STA. 0+00 TO STA. 6+00

F. A. U. REC.	SECTION	COUNTY	TOTAL SHEETS	SHEET NO.
2590	16-00111-00-RS	DU PAGE	19	6
CONTRACT NO. 61D56				
FED. ROAD DIST. NO. 1	ILLINOIS	FED. AID PROJECT		



NOTES

1. CLASS D PATCHES, 13" AS DIRECTED BY THE ENGINEER.
2. ALL EXISTING DRAINAGE STRUCTURES WHICH ARE TO BE ADJUSTED SHALL BE CLEANED IN ACCORDANCE WITH ARTICLE 602.15 OF THE STANDARD SPECIFICATIONS. THE COST OF THIS WORK SHALL BE INCLUDED IN THE COST OF THE ADJUSTMENT ITEM.
3. TOPSOIL, SODDING LOCATIONS/PLACEMENT TO BE DETERMINED IN THE FIELD BY THE ENGINEER.
4. SIDEWALK REMOVAL AND REPLACEMENT LIMITS AND LOCATIONS TO BE DETERMINED IN THE FIELD BY THE ENGINEER.
5. DRIVEWAY PAVEMENT AND CURB AND GUTTER REPLACEMENT AT DRIVEWAYS AND BROOK DRIVE TO BE PHASED TO ALLOW INGRESS AND EGRESS DURING CONSTRUCTION.

LEGEND

- [Adj] DRAINAGE & UTILITY STRUCTURES TO BE ADJUSTED
- [Adj-S] SANITARY STRUCTURE TO BE ADJUSTED SEE DETAIL ON SHEET 19
- [IF] INLET FILTERS

PAVEMENT MARKING LEGEND

- ① 4" YELLOW THERMOPLASTIC LINE - SOLID
- ② 4" WHITE THERMOPLASTIC LINE - SKIP DASH
- ③ 6" WHITE THERMOPLASTIC LINE - SOLID
- ④ 6" WHITE THERMOPLASTIC LINE - SKIP DASH
- ⑤ 24" WHITE THERMOPLASTIC LINE - SOLID
- ⑥ LETTERS AND SYMBOLS - FULL SIZE

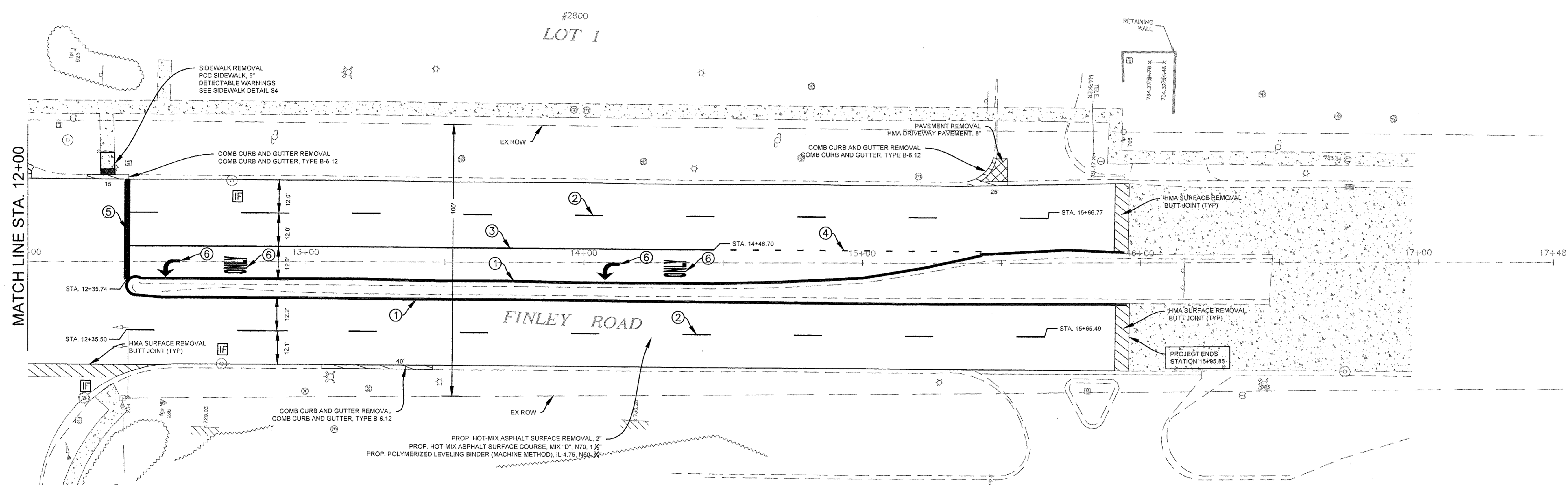
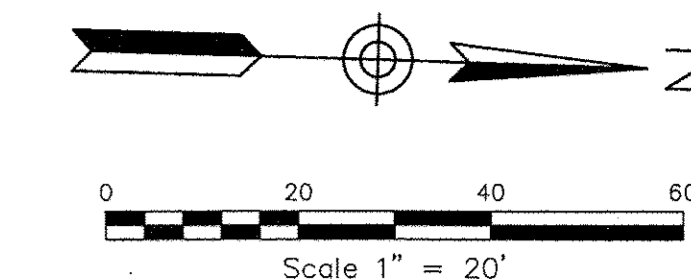
FILE NAME =	USER NAME - USER	DESIGNED - NRH	REVISED
FILE NAME =		DRAWN - NRH	REVISED
	PLOT SCALE -	CHECKED - JPT	REVISED
	PLOT DATE - 09/30/16	DATE - 09/30/16	REVISED

STATE OF ILLINOIS
DEPARTMENT OF TRANSPORTATION

FINLEY ROAD IMPROVEMENTS
IMPROVEMENT PLAN

SCALE: 1"=20' SHEET NO. 2 OF 3 SHEETS STA. 0+00 TO STA. 12+00

F. A. I. D. ETC.	SECTION	COUNTY	TOTAL SHEETS	SHEET NO.
2590	16-00111-00-RS	DU PAGE	19	7
CONTRACT NO. 61D56				
FED. ROAD DIST. NO. 1	ILLINOIS	FED. AID PROJECT		



NOTES

1. CLASS D PATCHES, 13" AS DIRECTED BY THE ENGINEER.
2. ALL EXISTING DRAINAGE STRUCTURES WHICH ARE TO BE ADJUSTED SHALL BE CLEANED IN ACCORDANCE WITH ARTICLE 602.15 OF THE STANDARD SPECIFICATIONS. THE COST OF THIS WORK SHALL BE INCLUDED IN THE COST OF THE ADJUSTMENT ITEM.
3. TOPSOIL, SODDING LOCATIONS/PLACEMENT TO BE DETERMINED IN THE FIELD BY THE ENGINEER.
4. SIDEWALK REMOVAL AND REPLACEMENT LIMITS AND LOCATIONS TO BE DETERMINED IN THE FIELD BY THE ENGINEER.
5. DRIVEWAY PAVEMENT AND CURB AND GUTTER REPLACEMENT AT DRIVEWAYS AND BROOK DRIVE TO BE PHASED TO ALLOW INGRESS AND EGRESS DURING CONSTRUCTION.

LEGEND

- [Adj] DRAINAGE & UTILITY STRUCTURES TO BE ADJUSTED
- [Adj-S] SANITARY STRUCTURE TO BE ADJUSTED SEE DETAIL ON SHEET 19
- [IF] INLET FILTERS

PAVEMENT MARKING LEGEND

- ① 4" YELLOW THERMOPLASTIC LINE - SOLID
- ② 4" WHITE THERMOPLASTIC LINE - SKIP DASH
- ③ 6" WHITE THERMOPLASTIC LINE - SOLID
- ④ 6" WHITE THERMOPLASTIC LINE - SKIP DASH
- ⑤ 24" WHITE THERMOPLASTIC LINE - SOLID
- ⑥ LETTERS AND SYMBOLS - FULL SIZE

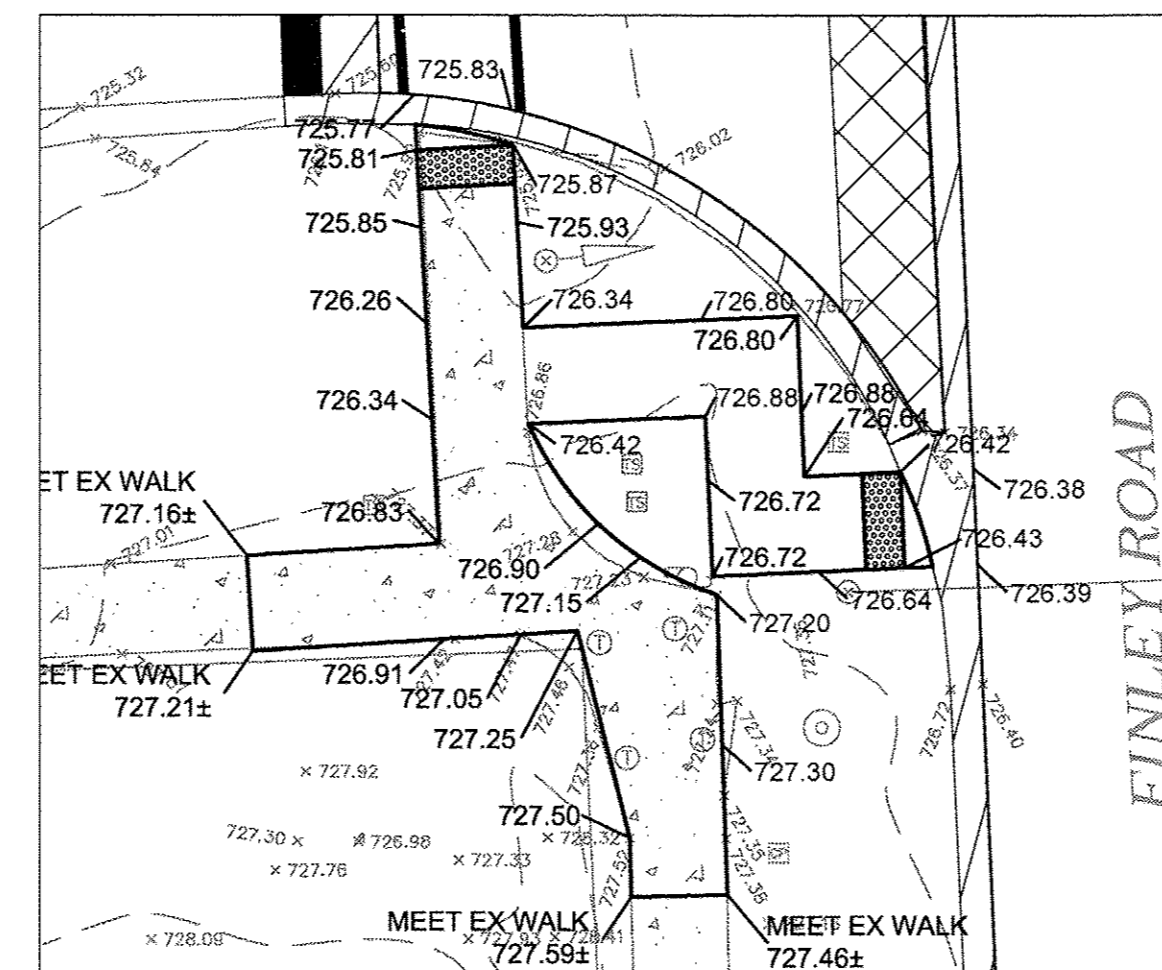
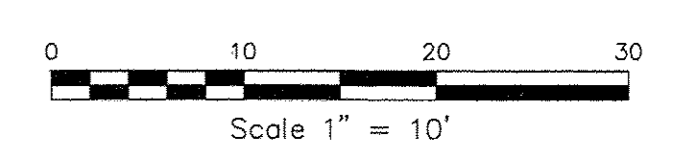
FILE NAME =	USER NAME - USER	DESIGNED - NRH	REVISED
FILE NAME =		DRAWN - NRH	REVISED
	PLOT SCALE -	CHECKED - JPT	REVISED
	PLOT DATE - 09/30/16	DATE - 09/30/16	REVISED

STATE OF ILLINOIS
DEPARTMENT OF TRANSPORTATION

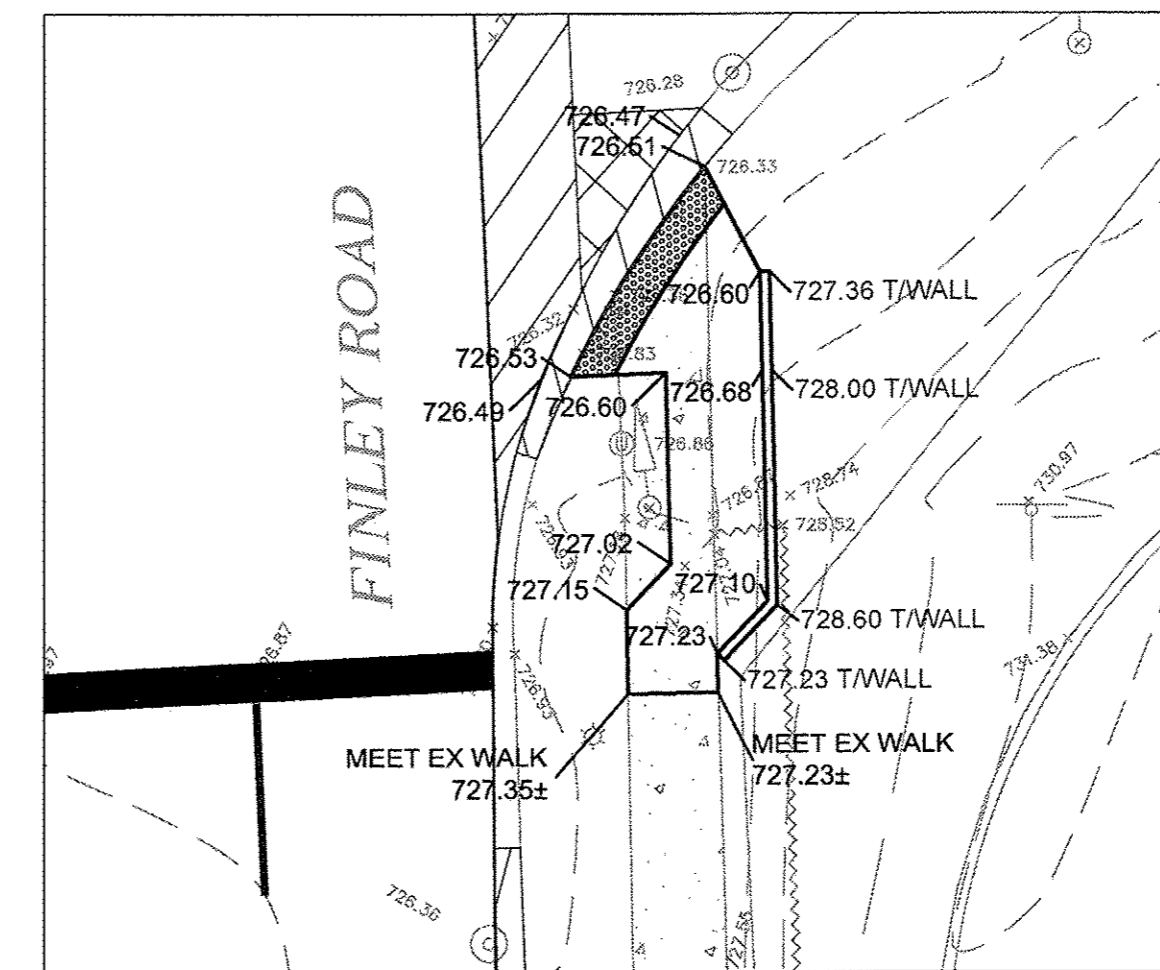
FINLEY ROAD IMPROVEMENTS
IMPROVEMENT PLAN

SCALE: 1"=20' SHEET NO. 3 OF 3 SHEETS STA. 12+00 TO STA. 17+48

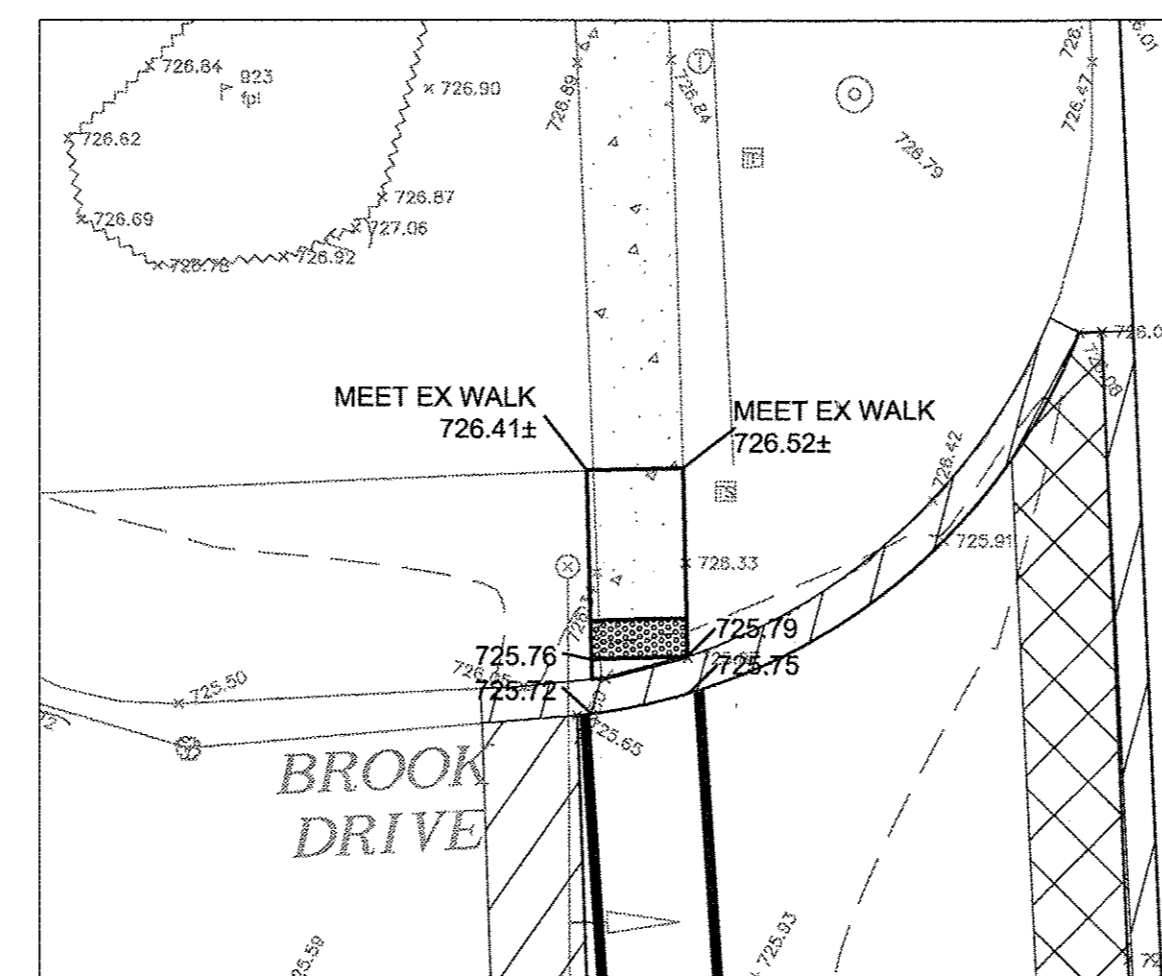
F. A. U. NO.	SECTION	COUNTY	TOTAL SHEETS	SHEET NO.
2590	16-00111-00-RS	DU PAGE	19	8
CONTRACT NO. 61D56				
FED. ROAD DIST. NO. 1	ILLINOIS	FED. AID PROJECT		



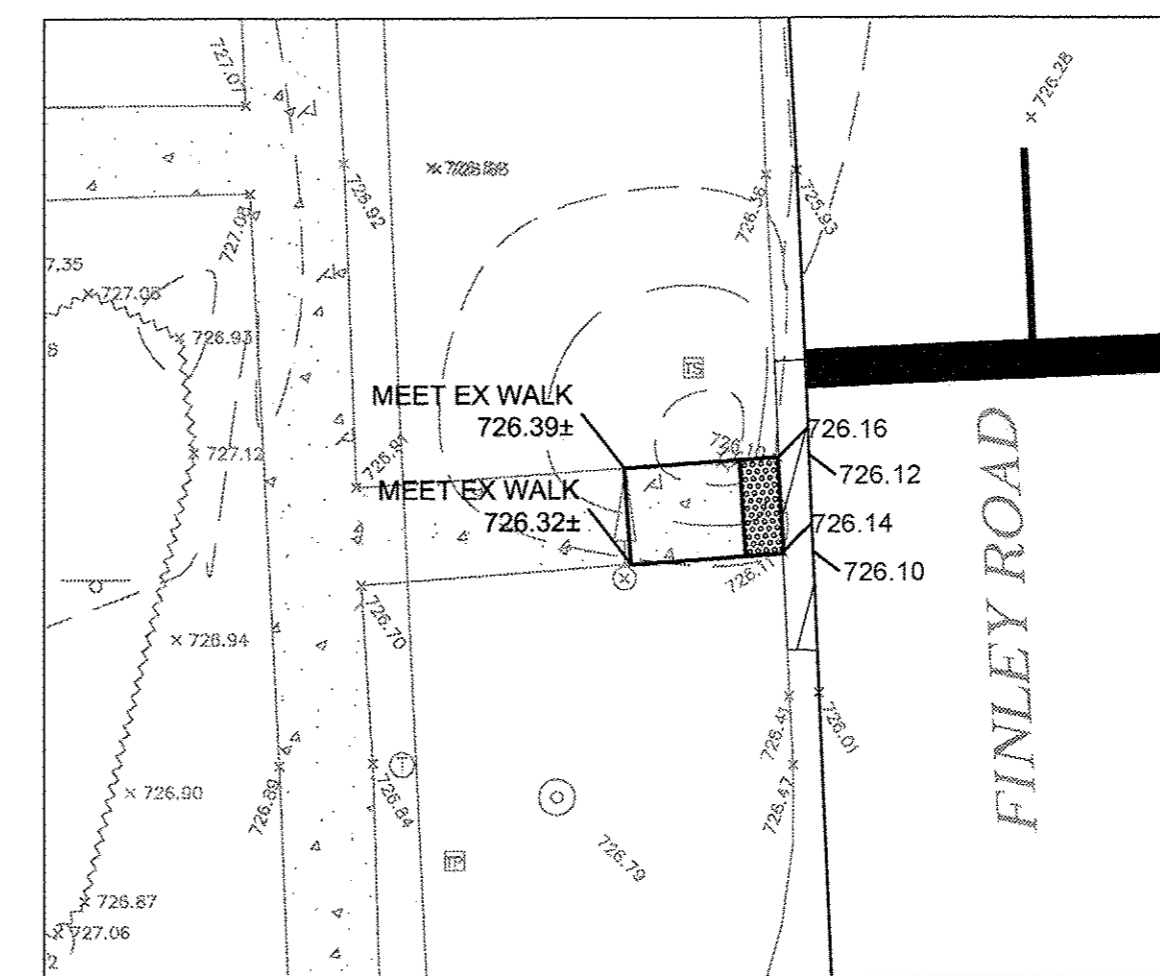
**SIDEWALK DETAIL S1
STA. 11+30, LEFT SIDE**



**SIDEWALK DETAIL S2
STA. 11+30, RIGHT SIDE**



**SIDEWALK DETAIL S3
STA. 11+84, LEFT SIDE**



**SIDEWALK DETAIL S4
STA. 12+28, LEFT SIDE**

FILE NAME =	USER NAME - USER	DESIGNED - NRH	REVISED
FILE NAME =		DRAWN - NRH	REVISED
	PLOT SCALE -	CHECKED - JPT	REVISED
	PLOT DATE - 09/30/16	DATE - 09/30/16	REVISED

STATE OF ILLINOIS
DEPARTMENT OF TRANSPORTATION

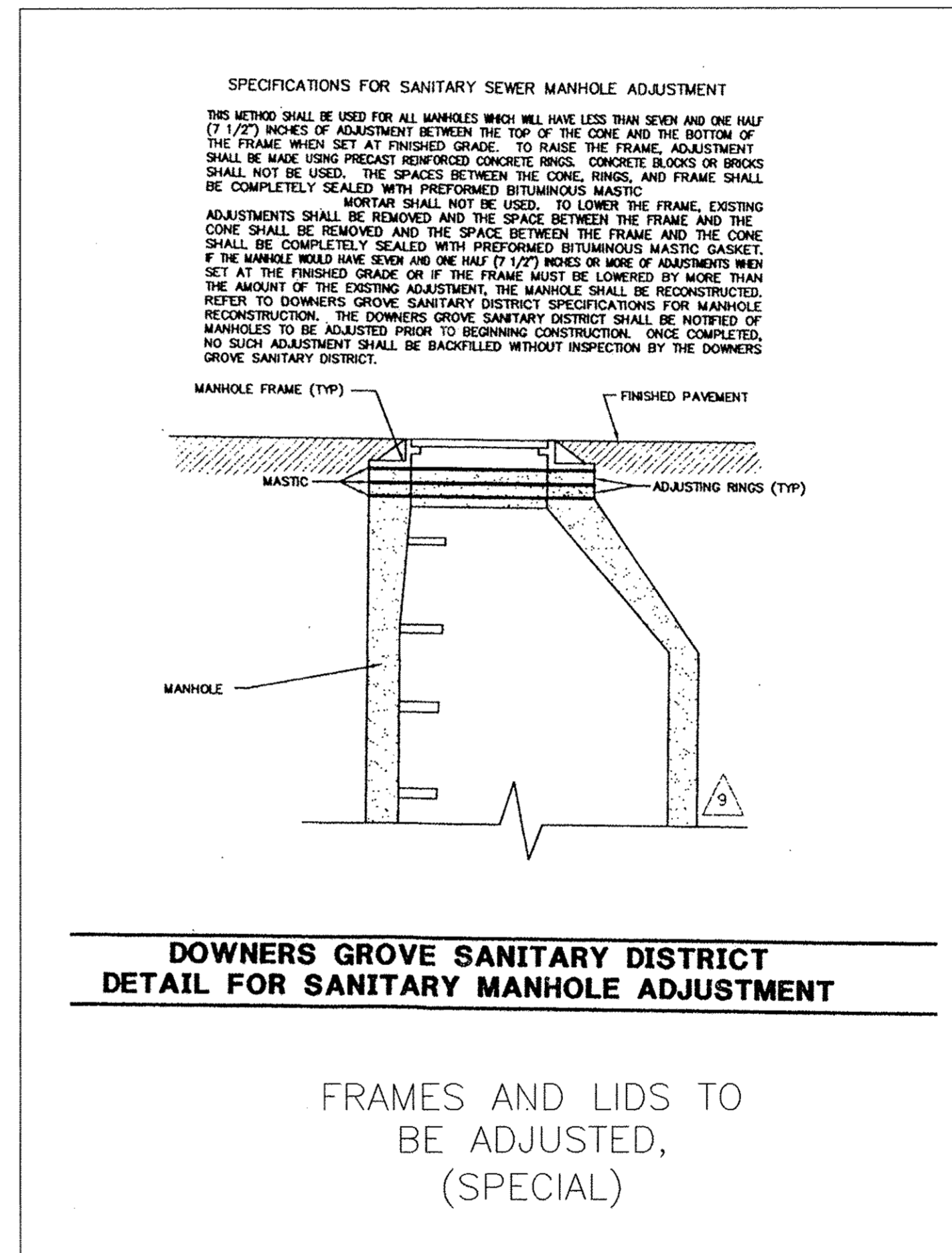
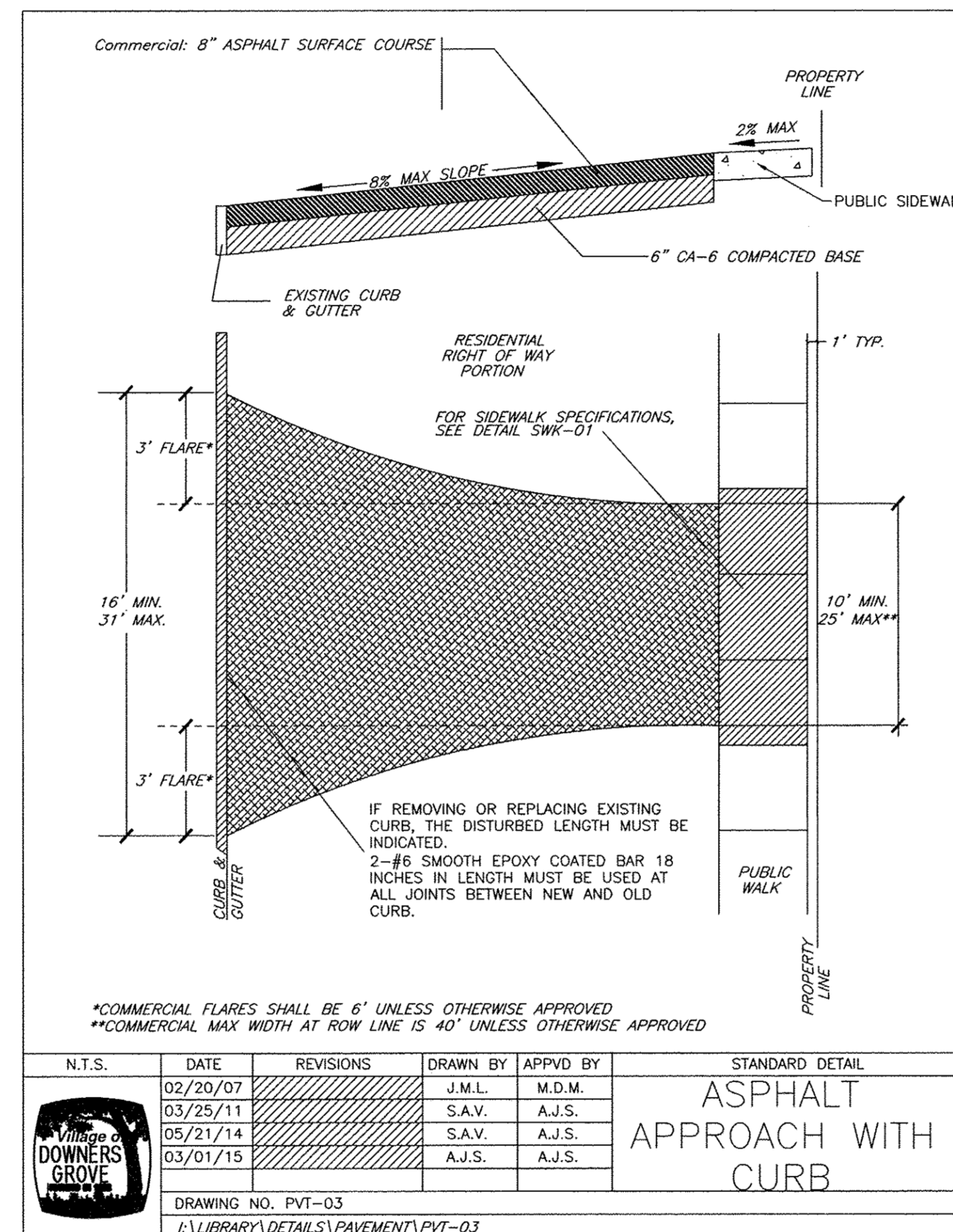
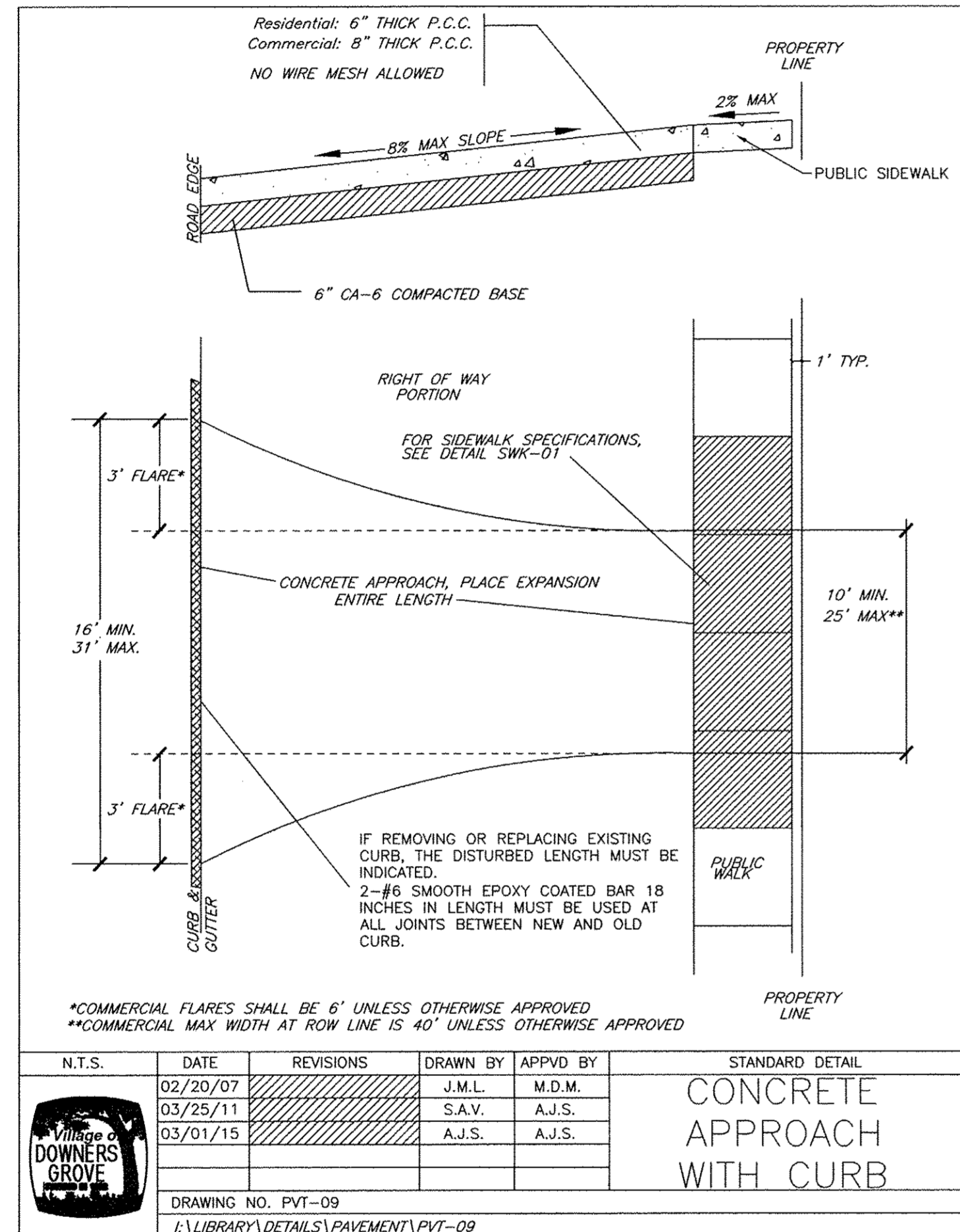
FINLEY ROAD IMPROVEMENTS
SIDEWALK DETAILS

SCALE: 1"=10'

SHEET NO. 1 OF 1 SHEETS

STA. TO STA.

F. A. I. DIST.	SECTION	COUNTY	TOTAL SHEETS	SHEET NO.
2590	16-00111-00-RS	DJ	19	9
CONTRACT NO. 61D56				
FED. ROAD DIST. NO. 1	ILLINOIS	FED. AID PROJECT		



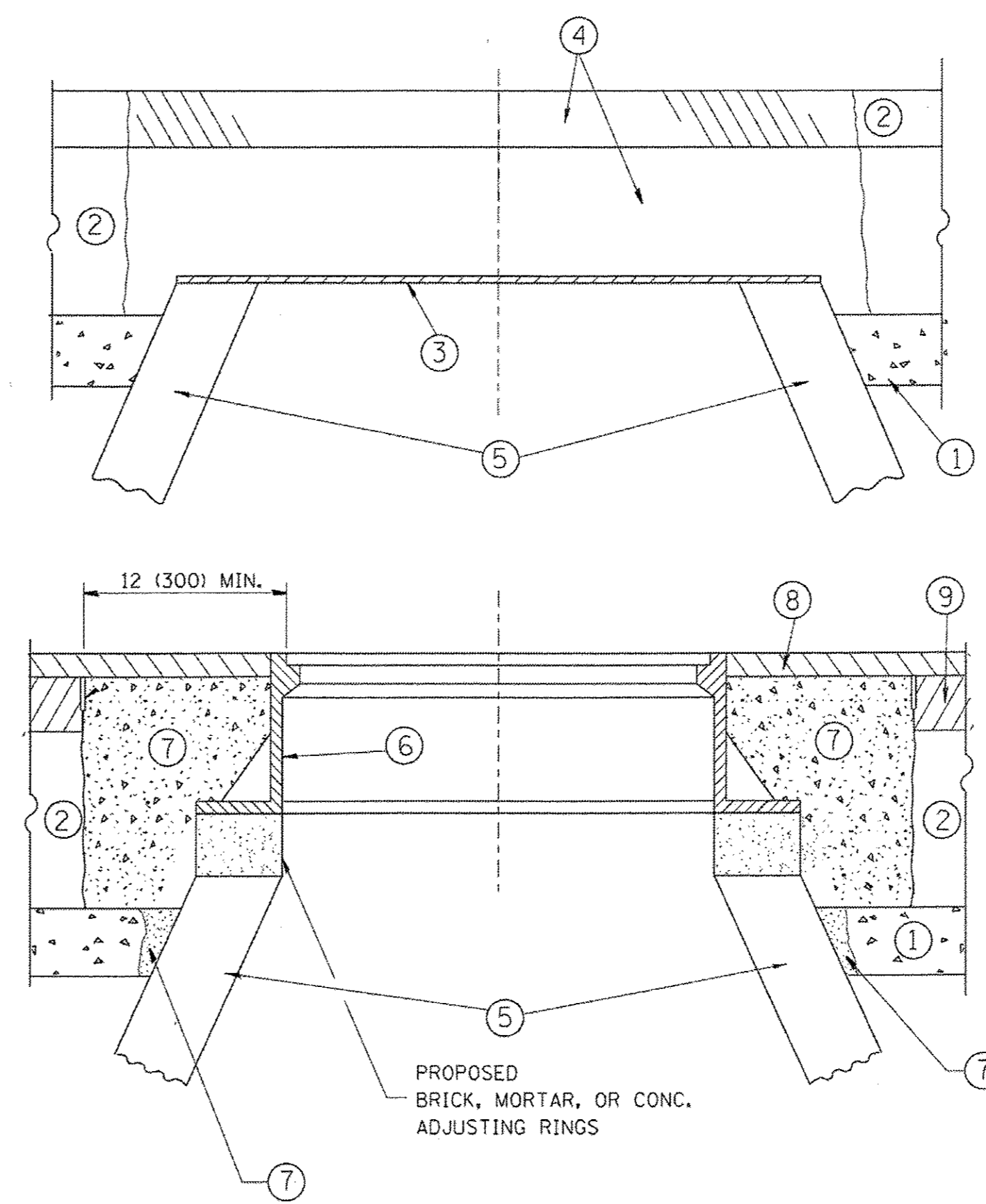
FILE NAME =	USER NAME - USER	DESIGNED - NRH	REVISED
FILE NAME =		DRAWN - NRH	REVISED
	PLOT SCALE -	CHECKED - JPT	REVISED
	PLOT DATE - 09/30/16	DATE - 09/30/16	REVISED

STATE OF ILLINOIS
DEPARTMENT OF TRANSPORTATION

FINLEY ROAD IMPROVEMENTS
VILLAGE DETAILS

NOT TO SCALE SHEET NO. 1 OF 1 SHEETS STA. TO STA.

F.A.H. REC.	SECTION	COUNTY	TOTAL SHEETS	SHEET NO.
2590	16-00111-00-RS	DU PAGE	19	10
CONTRACT NO. 61D56				
FED. ROAD DIST. NO. 1	ILLINOIS	FED. AID PROJECT		



CONSTRUCTION PROCEDURES

STAGE 1 (BEFORE PAVEMENT MILLING)

- A) REMOVE A MINIMUM OF 12 (300) OF THE PAVEMENT FROM AROUND THE STRUCTURE.
- B) REMOVE THE EXISTING FRAME AND LID FROM THE STRUCTURE.
- C) COVER THE STRUCTURE OPENING WITH A 36 (900) DIAMETER METAL PLATE.
- D) BACKFILL WITH CRUSHED STONE AND A MINIMUM 1 1/2 (40) THICK HMA SURFACE MIX APPROVED BY THE ENGINEER.

STAGE 2 (AFTER PAVEMENT MILLING)

- A) REMOVE THE HMA SURFACE MIX AND CRUSHED STONE.
- B) INSTALL THE FRAME AND LID; ADJUST THE FRAME TO ITS FINAL SURFACE ELEVATION.
- C) THE SURROUNDING SPACE SHALL BE FILLED WITH CLASS PP-1* CONCRETE TO THE ELEVATION OF THE SURFACE OF THE EXISTING BASE COURSE OR THE BINDER COURSE.

* UNLESS OTHERWISE SPECIFIED IN THE PLANS.

THE PROCEDURE EXPLAINED ABOVE SHALL CONFORM TO THE APPLICABLE PORTIONS OF SECTIONS 353, 406, 602, AND 603 OF THE STANDARD SPECIFICATIONS EXCEPT THAT "THE CONTRACTOR SHALL ADJUST THE STRUCTURES TO THE FINISHED PAVEMENT ELEVATION NO MORE THAN 5 CALENDAR DAYS PRIOR TO PLACEMENT OF THE FINAL LIFT OF SURFACE UNLESS APPROVED BY THE ENGINEER."

LEGEND

- ① SUB-BASE GRANULAR MATERIAL
- ② EXISTING PAVEMENT
- ③ 36 (900) DIAMETER METAL PLATE
- ④ PROPOSED CRUSHED STONE AND HMA SURFACE MIX
- ⑤ EXISTING STRUCTURE
- ⑥ FRAME AND LID (SEE NOTES)
- ⑦ CLASS PP-1* CONCRETE
- ⑧ PROPOSED HMA SURFACE COURSE
- ⑨ PROPOSED HMA BINDER COURSE

LOCATION OF STRUCTURES:

THE CONTRACTOR WILL BE REQUIRED TO KEEP A RECORD OF THE LOCATIONS OF THE BURIED STRUCTURES ACCORDING TO THE STATION AND DISTANCE LEFT OR RIGHT OF THE CENTERLINE OF PAVEMENT. UPON COMPLETION OF THE WORK, THE CONTRACTOR WILL DELIVER THE RECORD TO THE ENGINEER.

BASIS OF PAYMENT:

REMOVING FRAMES AND LIDS ON DRAINAGE AND UTILITY STRUCTURES IN THE PAVEMENT PRIOR TO MILLING, AND ADJUSTING TO FINAL GRADE PRIOR TO PLACING THE SURFACE COURSE, WILL BE PAID FOR AT THE CONTRACT UNIT PRICE EACH FOR "FRAMES AND LIDS TO BE ADJUSTED (SPECIAL)."

THIS WORK WILL NOT BE PAID FOR WHEN DRAINAGE AND UTILITY STRUCTURES ARE SPECIFIED FOR PAYMENT AS STRUCTURE RECONSTRUCTION.

NEW FRAMES AND LIDS, WHEN SPECIFIED, WILL BE PAID FOR SEPARATELY.

NOTES:

EXISTING BROKEN FRAMES AND LIDS SHALL BE REMOVED AND DISPOSED OF BY THE CONTRACTOR AND SHALL BE REPLACED AS DIRECTED BY THE ENGINEER. REPLACEMENT FRAMES AND LIDS WILL BE PAID FOR IN ACCORDANCE WITH ARTICLE 109.04 OF THE STANDARD SPECIFICATIONS UNLESS A SEPARATE PAY ITEM HAS BEEN PROVIDED.

IF THE EXISTING LIDS ARE OPEN, THE FRAME WILL BE ADJUSTED TO THE ELEVATION OF THE MILLED PAVEMENT SURFACE PRIOR TO THE MILLING OPERATION. THE FRAME WILL NOT BE REMOVED AND COVERED BY THE METAL PLATE.

CITY OF CHICAGO CASTINGS ARE THE PROPERTY OF THE CITY AND THE CONTRACTOR SHALL NOTIFY THE CITY FOR REMOVAL AND DISPOSITION OF THE CASTINGS.

THE METAL PLATE USED TO COVER THE STRUCTURE SHALL REMAIN THE PROPERTY OF THE CONTRACTOR.

WHEN STRUCTURES ARE TO BE ADJUSTED OR RECONSTRUCTED, THE LOWERING AND RAISING OF THE FRAMES AND LIDS WILL NOT BE PAID FOR SEPARATELY BUT WILL BE INCLUDED IN THE COST OF THE CORRESPONDING PAY ITEM.

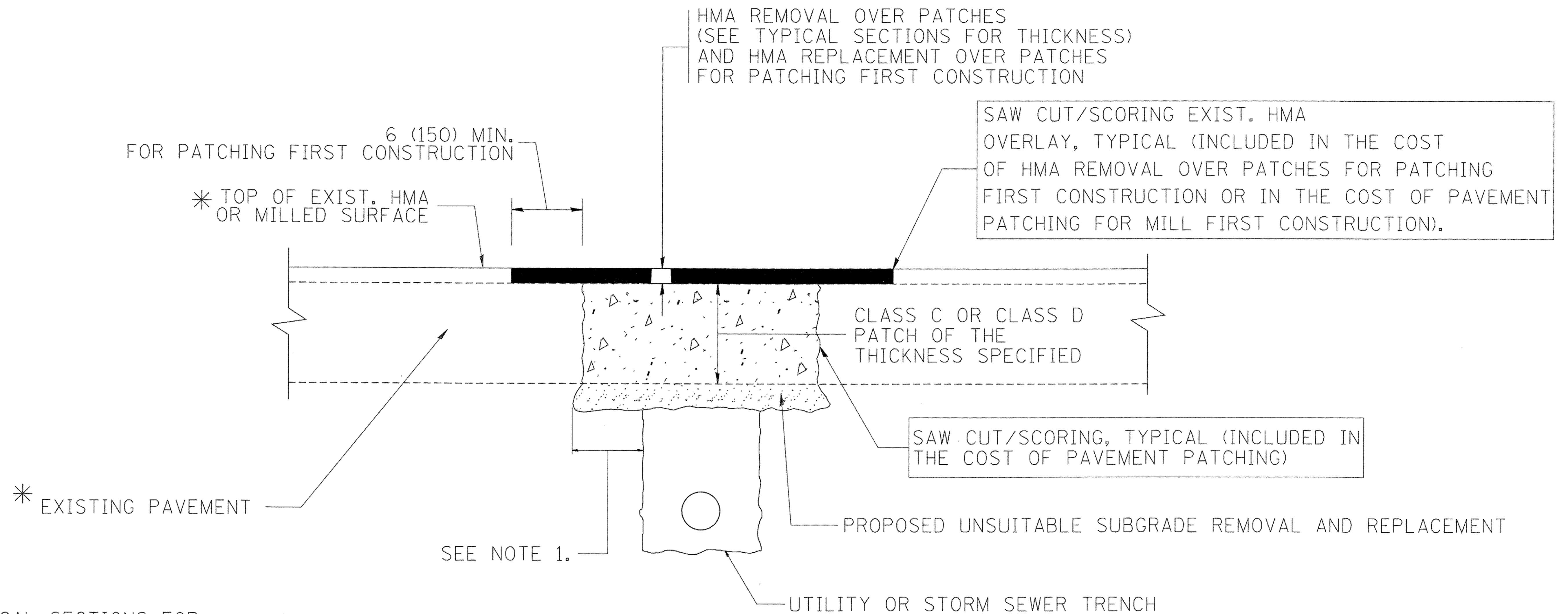
DETAILS FOR FRAMES AND LIDS ADJUSTMENT WITH MILLING

ALL DIMENSIONS ARE IN INCHES (MILLIMETERS) UNLESS OTHERWISE SHOWN

FILE NAME =	USER NAME = bauerdl	DESIGNED - R. SHAH	REVISED - R. WIEDEMAN 05-14-04
ct:\pw_work\p\idot\bauerdl\d0108315\bd08.dgn		DRAWN -	REVISED - R. BORO 01-01-07
	PLOT SCALE = 1/8" = 1'-0"	CHECKED -	REVISED - R. BORO 03-09-11
	PLOT DATE = 12/6/2011	DATE - 10-25-94	REVISED - R. BORO 12-06-11

**STATE OF ILLINOIS
DEPARTMENT OF TRANSPORTATION**

SCALE: NONE		SHEET NO. 1 OF 1 SHEETS		STA. TO STA.		F.A.U. RTE.		SECTION	COUNTY	TOTAL SHEETS	SHEET NO.
						2590	16-00111-00-RS	DU PAGE	19	11	
						BD600-03 (BD-8)		CONTRACT NO.		61D56	
						FED. ROAD DIST. NO. 1 ILLINOIS FED. AID PROJECT					



* SEE TYPICAL SECTIONS FOR THICKNESS AND MATERIALS

NOTES:

1. THE WIDTH OF THE FULL DEPTH PATCH OVER A TRENCH SHALL BE 12 (300) WIDER ON EACH SIDE OF THE TRENCH.
2. FOR METHOD OF MEASUREMENT AND BASIS OF PAYMENT, SEE RECURRING SPECIAL PROVISION "PATCHING WITH HOT-MIX ASPHALT OVERLAY REMOVAL".

SEQUENCE OF CONSTRUCTION (PATCHING FIRST)

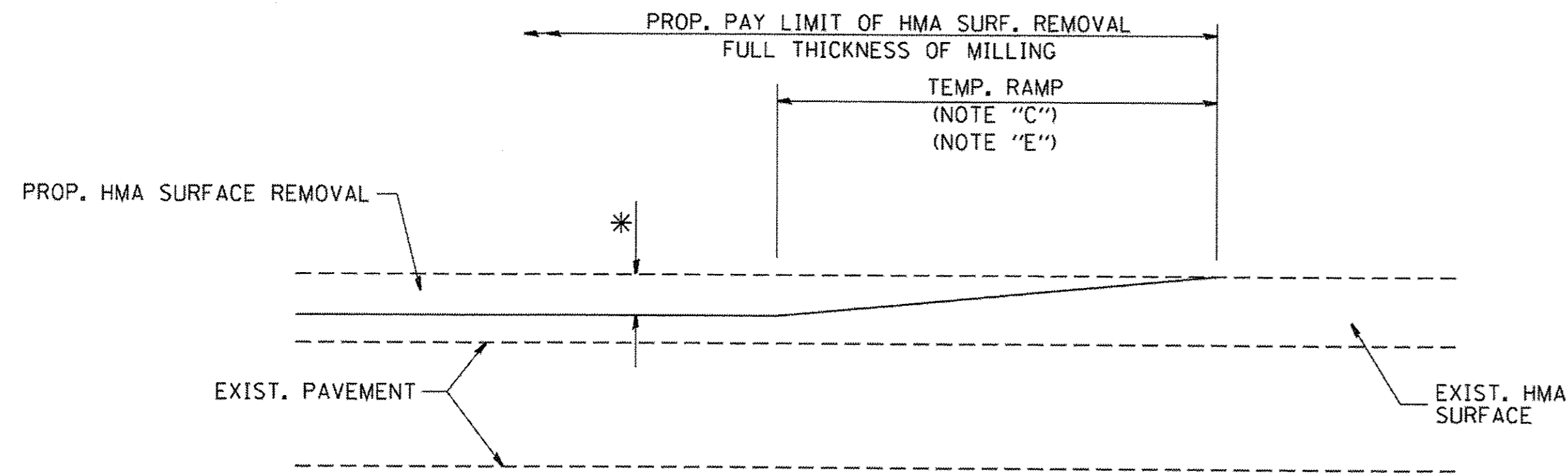
1. REMOVE THE EXISTING HMA MATERIAL OVER THE AREA TO BE PATCHED.
2. REMOVE AND REPLACE WITH CLASS C OR D PATCH.
3. REPLACE HMA MATERIAL OVER THE AREA TO BE PATCHED.

SEQUENCE OF CONSTRUCTION (MILLING FIRST)

1. MILL HMA FIRST IF THERE IS AT LEAST 4 1/2 INCHES OR MORE OF HMA MATERIAL ON TOP OF THE EXISTING PAVEMENT OR IF THE PAVEMENT IS FULL DEPTH HMA. A MINIMUM OF 2 INCHES OF HMA MATERIAL SHALL BE IN PLACE AFTER MILLING.
2. REMOVE AND REPLACE WITH FULL DEPTH CLASS D PATCHES TO TOP OF MILLED SURFACE.

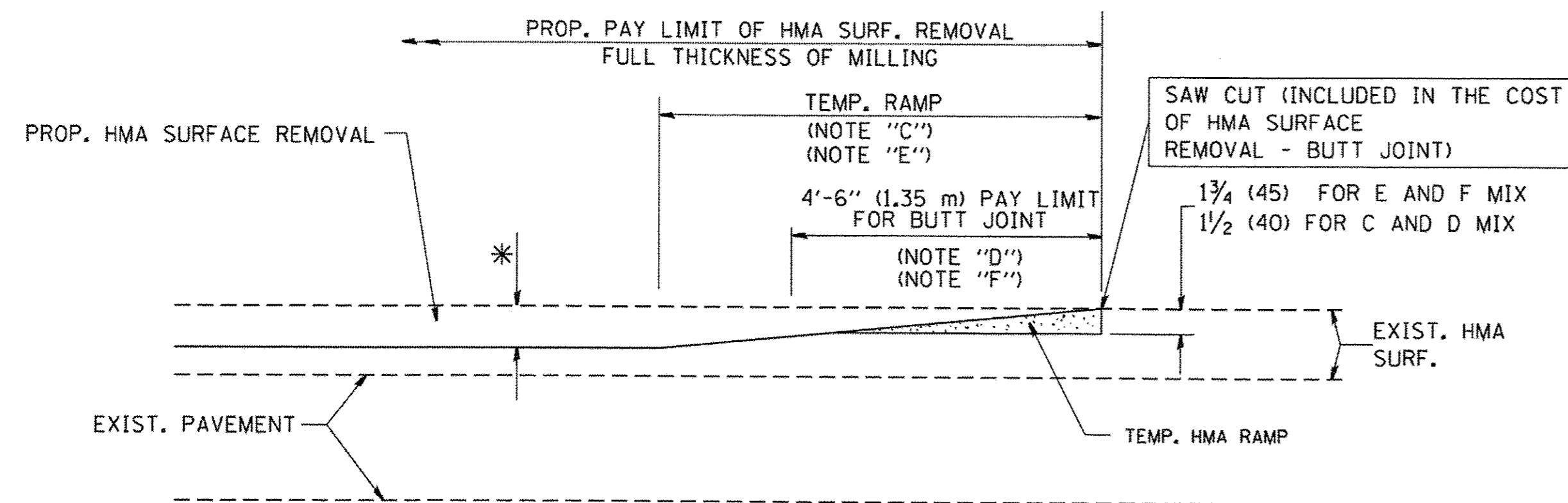
ALL DIMENSIONS ARE IN INCHES (MILLIMETERS) UNLESS OTHERWISE SHOWN.

FILE NAME = c:\projects\dstsd22x34\bd22.dgn	USER NAME = bwardl	DESIGNED - R. SHAH	REVISED - A. ABBAS 04-27-98	STATE OF ILLINOIS DEPARTMENT OF TRANSPORTATION	PAVEMENT PATCHING FOR HMA SURFACED PAVEMENT			F.A.U. RTE. 2590	SECTION 16-00111-00-RS	COUNTY DU PAGE	TOTAL SHEETS 19	SHEET NO. 12
	PLOT SCALE = 50,000' / IN.	DRAWN -	REVISED - R. BORO 01-01-07		SCALE: NONE	SHEET NO. 1 OF 1 SHEETS	STA.	TO STA.	BD400-04 (BD-22)		CONTRACT NO.	61D56
	PLOT DATE = 10/27/2008	CHECKED -	REVISED - R. BORO 09-04-07		FED. ROAD DIST. NO. 1 ILLINOIS FED. AID PROJECT							
		DATE - 10-25-94	REVISED - K. ENG 10-27-08									



MILLED TEMPORARY RAMP
(FOR BUTT JOINT AND HMA TAPER SEE DETAIL BELOW)

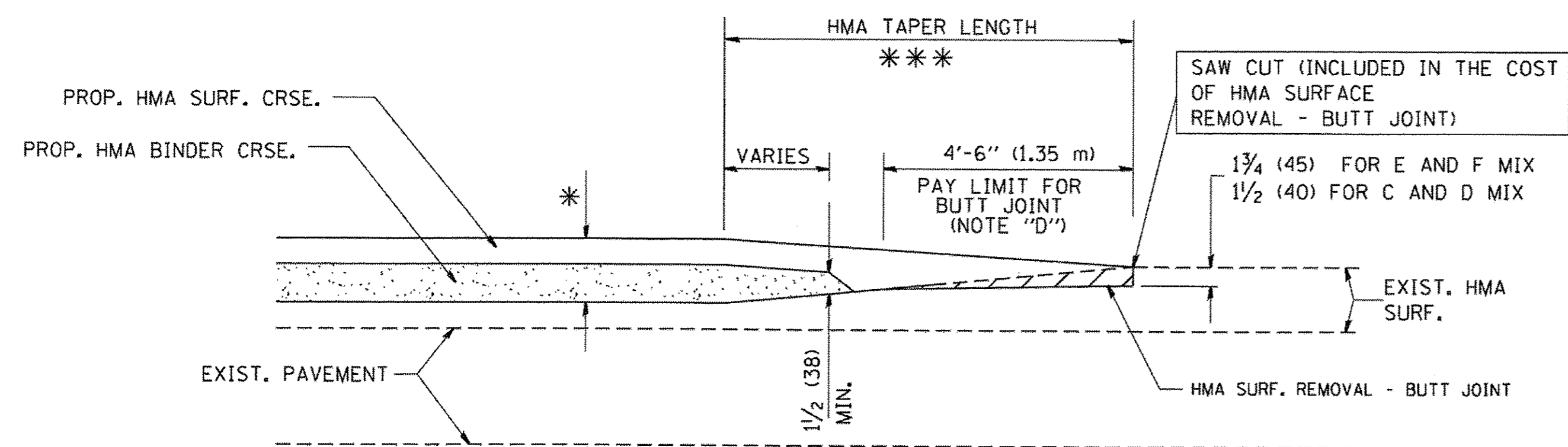
OPTION 1



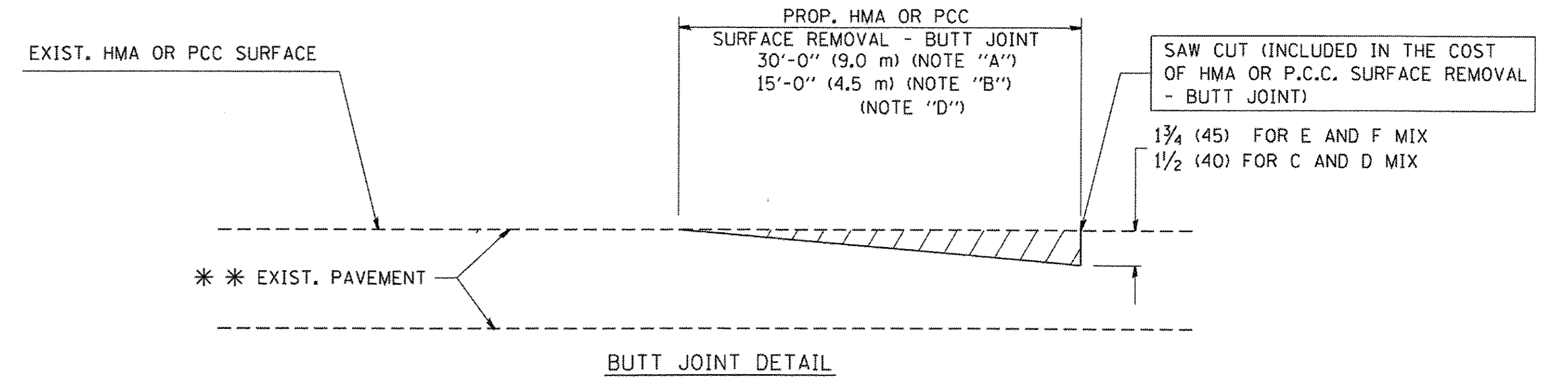
HMA CONSTRUCTED TEMPORARY RAMP
(FOR BUTT JOINT AND HMA TAPER SEE DETAIL BELOW)

OPTION 2

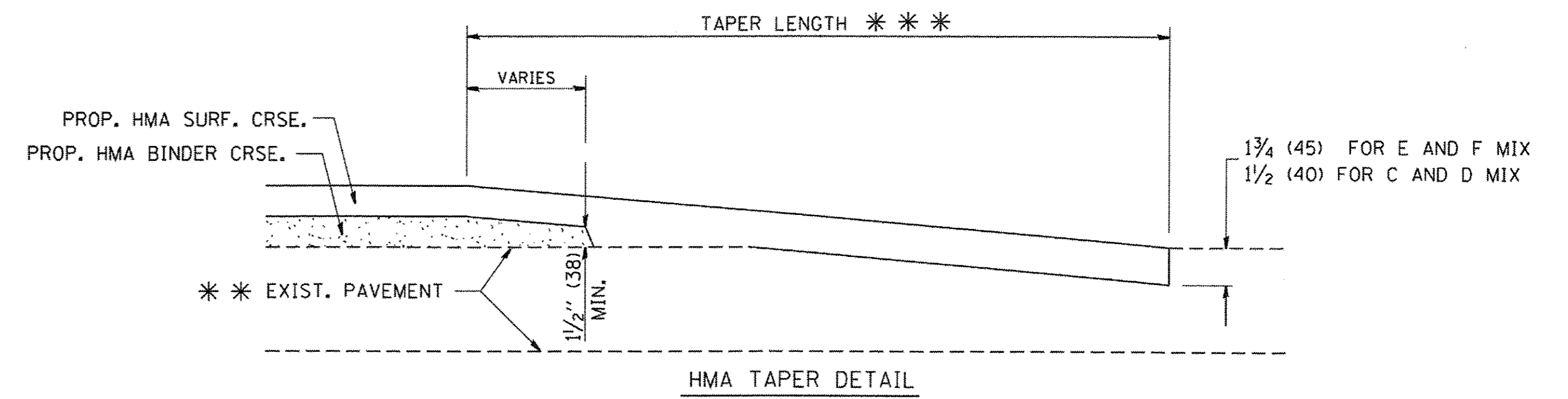
TYPICAL TEMPORARY RAMP



BUTT JOINT AND HMA TAPER
TYPICAL BUTT JOINT AND HMA TAPER FOR MILLING AND RESURFACING



BUTT JOINT DETAIL



HMA TAPER DETAIL

TYPICAL BUTT JOINT AND HMA TAPER FOR RESURFACING ONLY

*** PC CONCRETE, HMA OR HMA RESURFACED PAVEMENT.

NOTES

- A: MAINLINE ROADWAYS AND MAJOR SIDE ROADS.
 - B: MINOR SIDE ROADS.
 - C: THE TEMP. RAMP SHALL BE CONSTRUCTED IMMEDIATELY UPON REMOVAL OF THE EXISTING HMA SURFACE.
 - D: THE BUTT JOINT SHALL BE CONSTRUCTED IMMEDIATELY PRIOR TO PLACING THE PROPOSED HMA COURSES.
 - E: TAPER THE TEMP. RAMP AT A RATE OF 3'-0" (900 mm) PER 1 INCH (25 mm) OF MILLING THICKNESS.
 - F: INSTALLATION AND REMOVAL OF THE 4'-6" (1.35 m) TEMP. RAMP IS INCLUDED IN COST OF HMA SURFACE REMOVAL - BUTT JOINT
 - G: SEE ARTICLE 406.08 AND 406.14 OF THE STANDARD SPECIFICATIONS FOR "HMA AND/OR PCC SURFACE REMOVAL, BUTT JOINT".
- * SEE TYPICAL SECTIONS FOR MILLING THICKNESS.
- *** 20'-0" (6.1 m) PER 1 (25) RESURFACING (NOTE "A")
10'-0" (3.0 m) PER 1 (25) RESURFACING (NOTE "B")

BASIS OF PAYMENT:

THE BUTT JOINT WILL BE PAID FOR AT THE CONTRACT UNIT PRICE PER SQUARE YARD (SQUARE METER) FOR "HOT-MIX ASPHALT SURFACE REMOVAL - BUTT JOINT" OR FOR "PORTLAND CEMENT CONCRETE SURFACE REMOVAL - BUTT JOINT".

ALL DIMENSIONS ARE IN INCHES (MILLIMETERS) UNLESS OTHERWISE SHOWN.

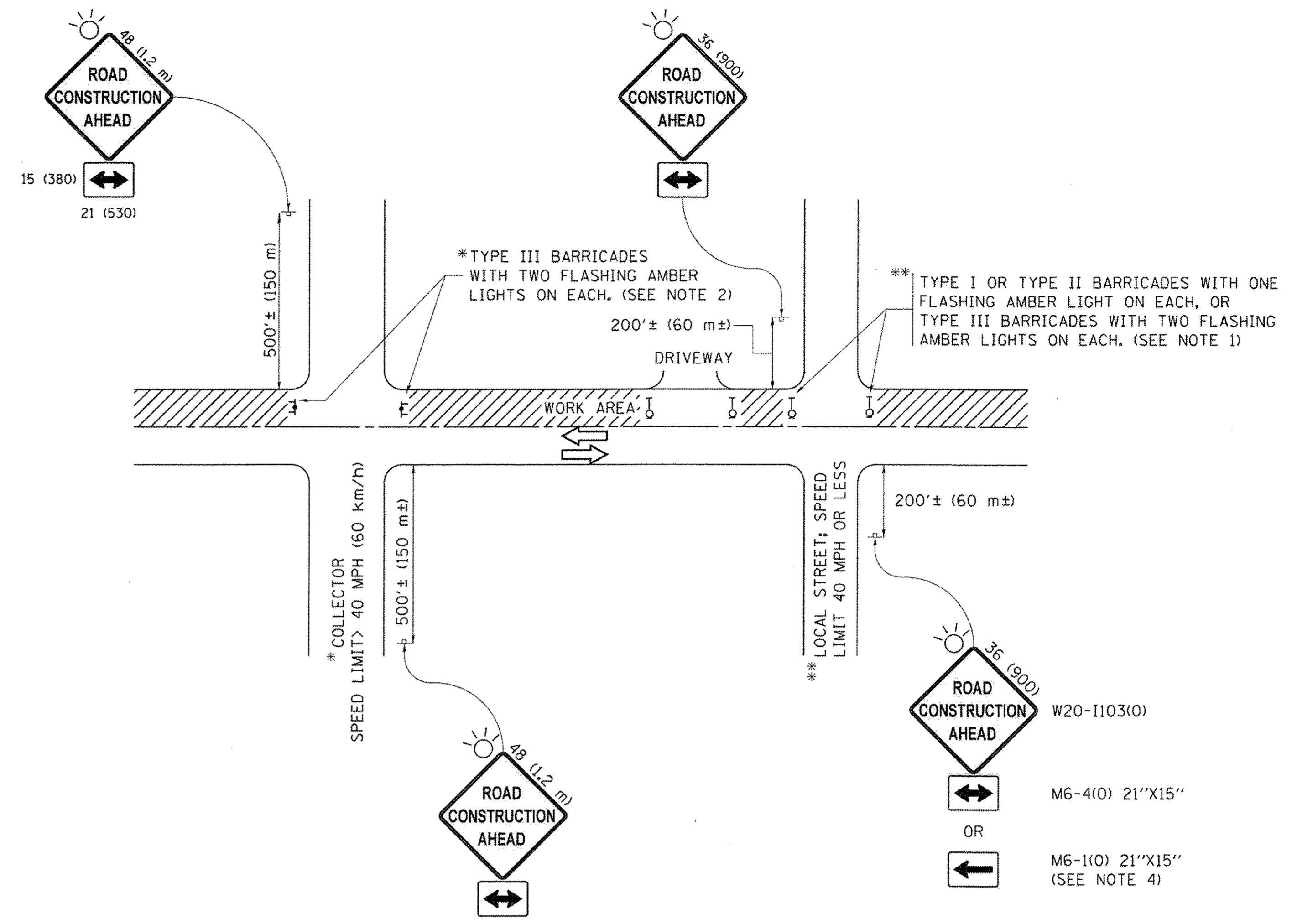
FILE NAME = W:\distsd\22x34\bd32.dgn	USER NAME = goglianob	DESIGNED - M. DE YONG	REVISED - R. SHAH 10-25-94
		DRAWN -	REVISED - A. ABBAS 03-21-97
	PLOT SCALE = 50.0000' / IN.	CHECKED -	REVISED - M. GOMEZ 04-06-01
	PLOT DATE = 1/4/2008	DATE - 06-13-90	REVISED - R. BORO 01-01-07

**STATE OF ILLINOIS
DEPARTMENT OF TRANSPORTATION**

**BUTT JOINT AND
HMA TAPER DETAILS**

SCALE: NONE SHEET NO. 1 OF 1 SHEETS STA. TO STA.

F.A.U. RTE.	SECTION	COUNTY	TOTAL SHEETS	SHEET NO.
2590	16-00111-00-RS	DU PAGE	19	13
BD400-05 BD32		CONTRACT NO.	61D56	
FED. ROAD DIST. NO. 1 ILLINOIS FED. AID PROJECT				



NOTES:

- SIDE ROAD WITH A SPEED LIMIT OF 40 MPH (60 km/h) OR LESS AS SHOWN ON THE DRAWING AND AS DIRECTED BY THE ENGINEER:
 - ONE "ROAD CONSTRUCTION AHEAD" SIGN 36 x 36 (900x900) WITH A FLASHER MOUNTED ON IT APPROXIMATELY 200' (60 m) IN ADVANCE OF THE MAIN ROUTE.
 - THE CLOSED PORTION OF THE MAIN ROUTE SHALL BE PROTECTED BY BLOCKING WITH TYPE I, TYPE II OR TYPE III BARRICADES, 1/3 OF THE CROSS SECTION OF THE CLOSED PORTION.
- SIDE ROAD WITH A SPEED LIMIT GREATER THAN 40 MPH (60 km/h) AS SHOWN ON THE DRAWING AND AS DIRECTED BY THE ENGINEER:
 - ONE "ROAD CONSTRUCTION AHEAD" SIGN 48 x 48 (1.2 m x 1.2 m) WITH A FLASHER MOUNTED ON IT APPROXIMATELY 500' (150 m) IN ADVANCE OF THE MAIN ROUTE.
 - THE CLOSED PORTION OF THE MAIN ROUTE SHALL BE PROTECTED BY BLOCKING WITH TYPE III BARRICADES, 1/2 OF THE CROSS SECTION OF THE CLOSED PORTION.
- CONES MAY BE SUBSTITUTED FOR BARRICADES OR DRUMS AT HALF THE SPACING DURING DAY OPERATIONS. CONES SHALL BE A MINIMUM OF 28 (710) IN HEIGHT.
- WHEN THE SIDE ROAD LIES BETWEEN THE BEGINNING OF THE MAINLINE SIGNING AND THE WORK ZONE, A SINGLE HEADED ARROW (M6-1) SHALL BE USED IN LIEU OF THE DOUBLE HEADED ARROW (M6-4).
- WHEN WORK IS BEING PERFORMED ON A SIDE ROAD OR DRIVEWAY, FOLLOW THE APPLICABLE STANDARD(S). THE DIRECTIONAL ARROW (M6-1 OR M6-4) SHALL BE COVERED OR REMOVED WHEN NO LONGER CONSISTENT WITH THE TRAFFIC CONTROL SET-UP.
- ADVANCE WARNING SIGNS ARE TO BE OMITTED ON DRIVEWAYS UNLESS OTHERWISE SPECIFIED IN THE PLANS OR BY THE ENGINEER.
- THE TRAFFIC CONTROL AND PROTECTION FOR SIDE ROADS, INTERSECTIONS, AND DRIVEWAYS SHALL BE INCLUDED IN THE COST OF SPECIFIED TRAFFIC CONTROL STANDARDS OR ITEMS.

All dimensions are in inches (millimeters) unless otherwise shown.

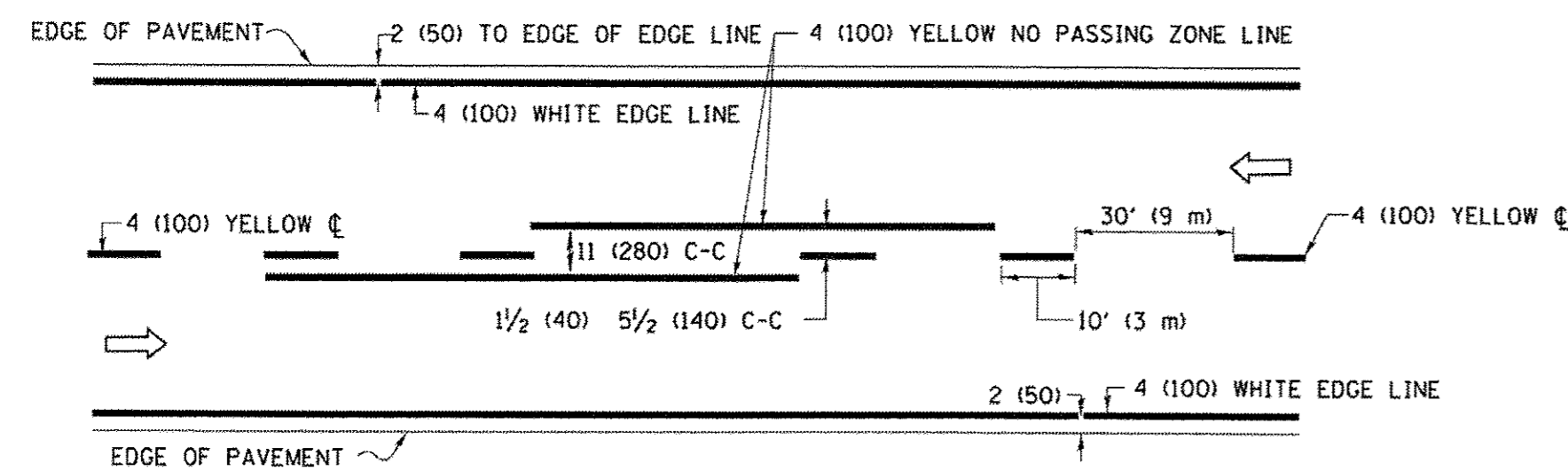
FILE NAME =	USER NAME = Footemj	DESIGNED - L.H.A.	REVISED - A. HOUSEH 10-15-96
pw\N\084EBID\INTEG\Illinois.gov\PI\DOT\Documents\DOT Offices\District 1\Projects\Dist	DRAWN CA00\eto\CAD\sheets\tcl0.dgn	CHECKED -	REVISED - T. RAMMACHER 01-06-00
Default	PLOT SCALE = 50.000' / in.	DATE - 06-89	REVISED - A. SCHUETZE 07-01-13
	PLOT DATE = 9/15/2016		REVISED - A. SCHUETZE 09-15-16

**STATE OF ILLINOIS
DEPARTMENT OF TRANSPORTATION**

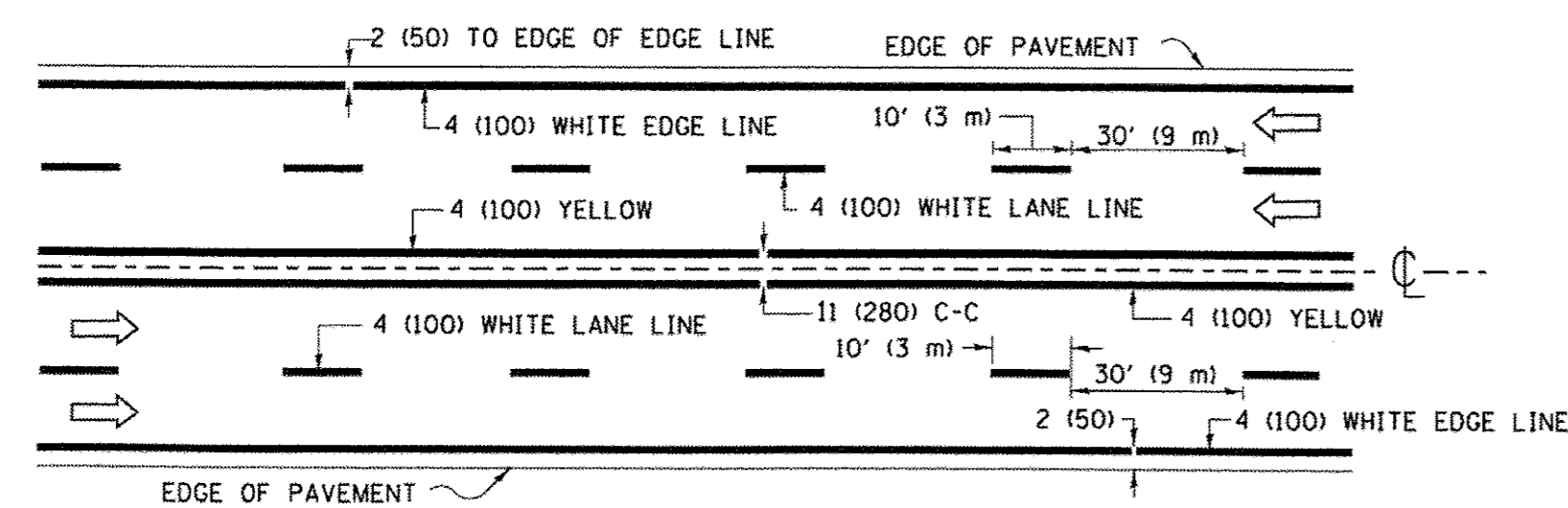
**TRAFFIC CONTROL AND PROTECTION FOR
SIDE ROADS, INTERSECTIONS, AND DRIVEWAYS**

SCALE: NONE SHEET 1 OF 1 SHEETS STA. TO STA.

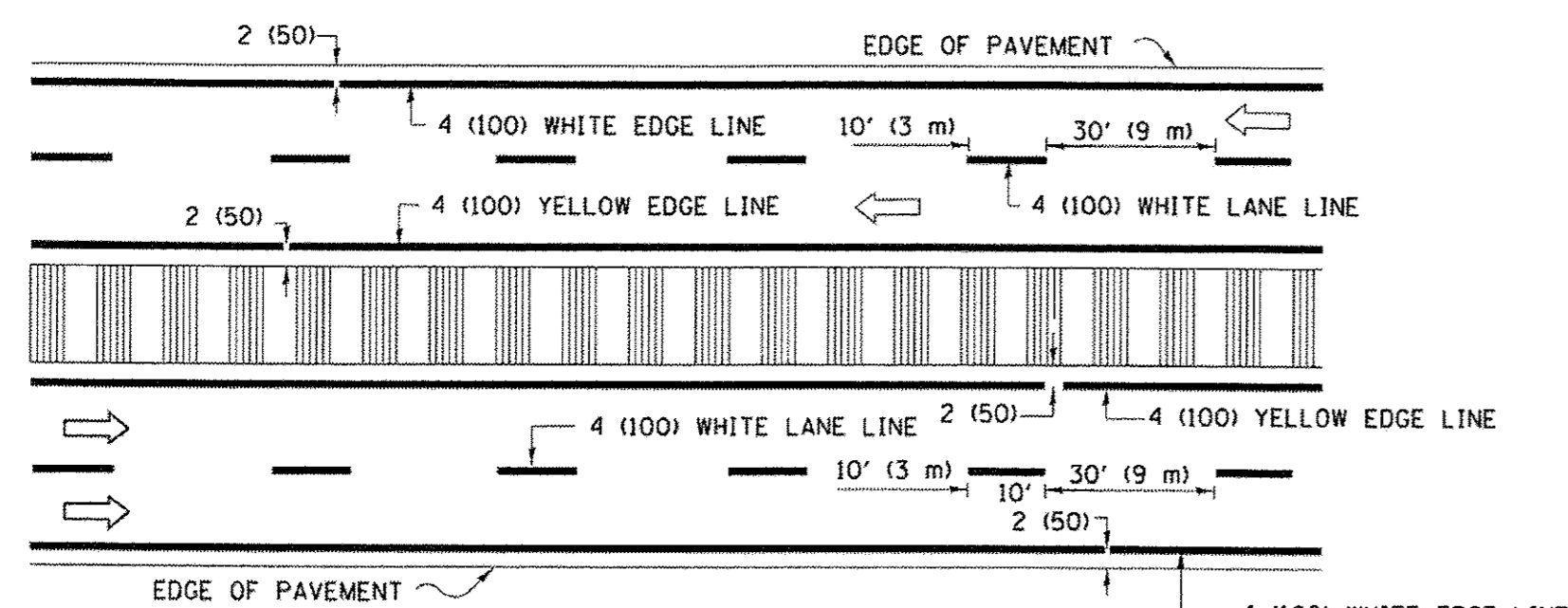
F.A.U. RTE.	SECTION	COUNTY	TOTAL SHEETS	SHEET NO.
2590	16-00111-00-RS		19	14
TC-10			CONTRACT NO. 61D56	
ILLINOIS FED. AID PROJECT				



2-LANE ROADWAY

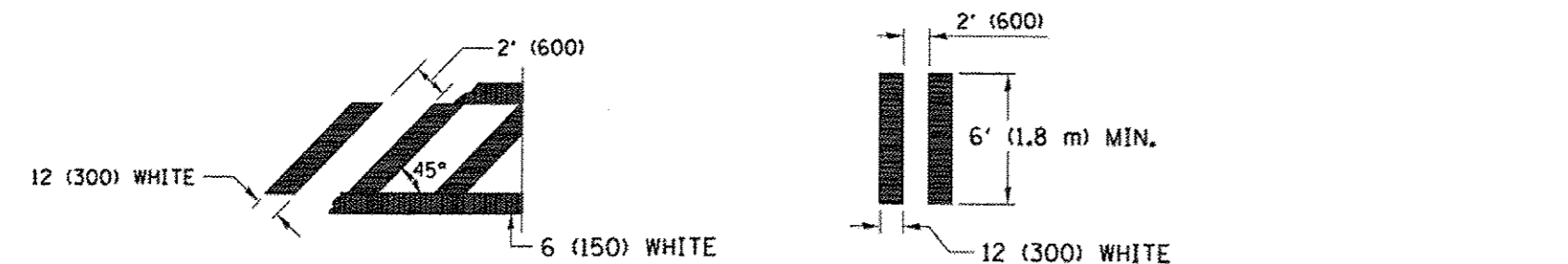
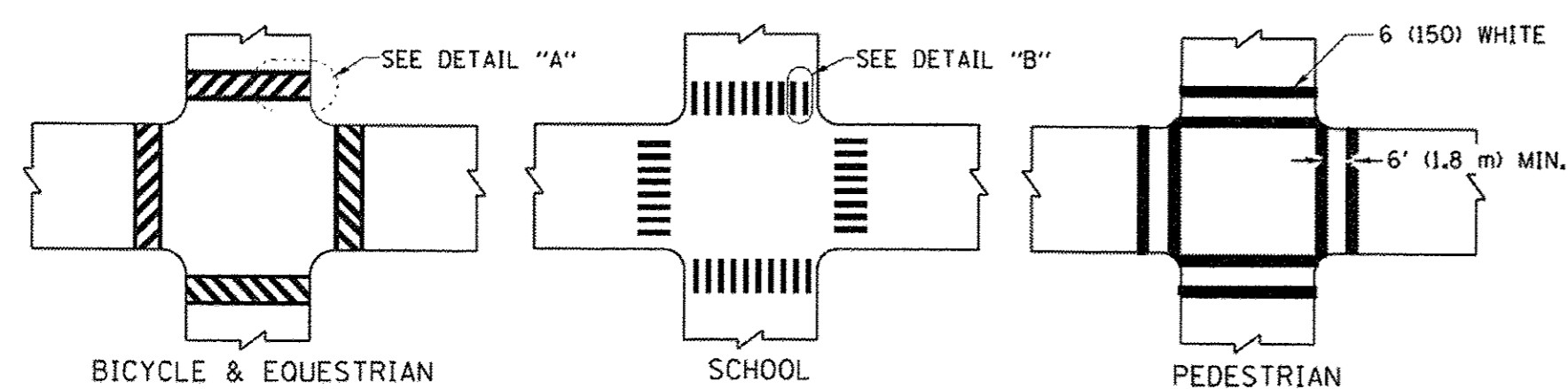


MULTI-LANE UNDIVIDED



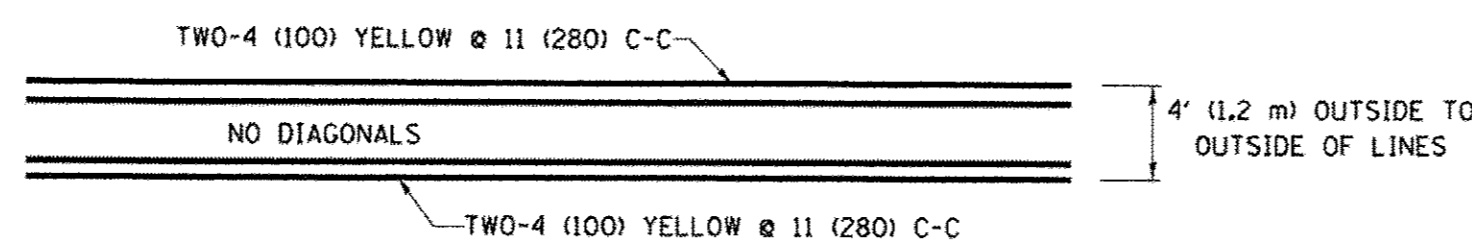
MULTI-LANE DIVIDED WITH MEDIAN

TYPICAL LANE AND EDGE LINE MARKING

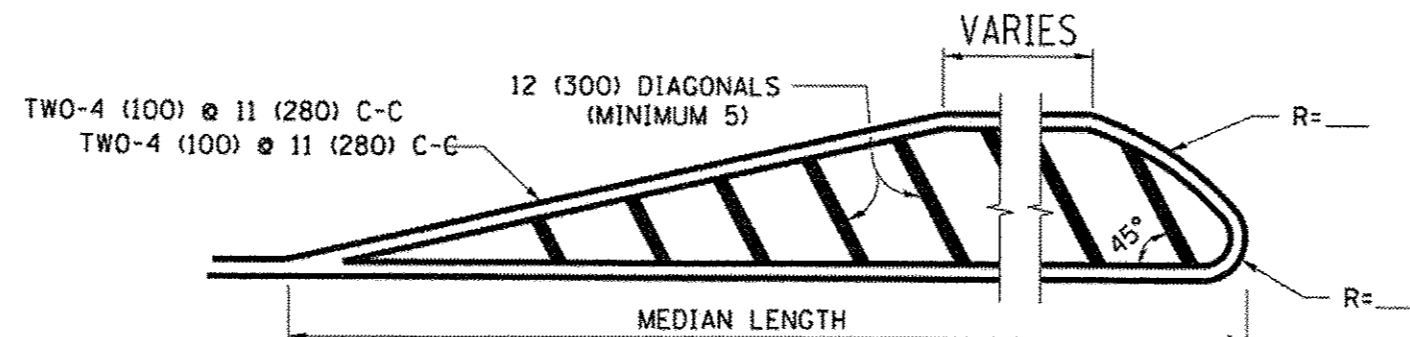


TYPICAL CROSSWALK MARKING

* MARKINGS SHALL BE INSTALLED PARALLEL TO THE CENTERLINE OF THE ROAD WHICH IT CROSSES

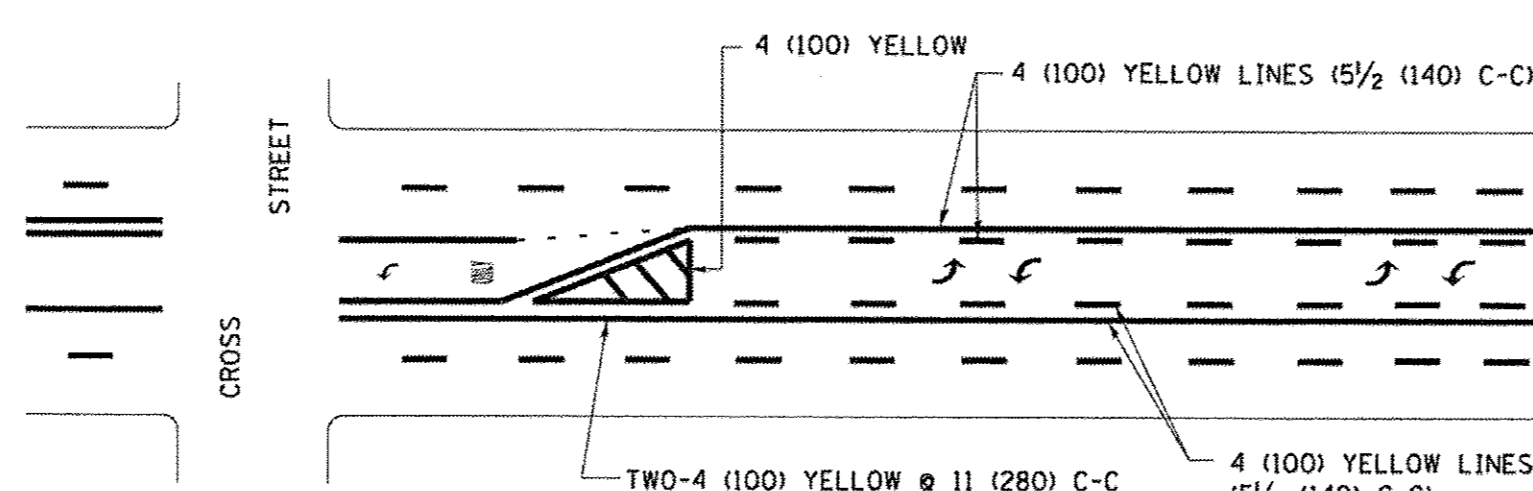


4' (1.2 m) WIDE MEDIANS ONLY

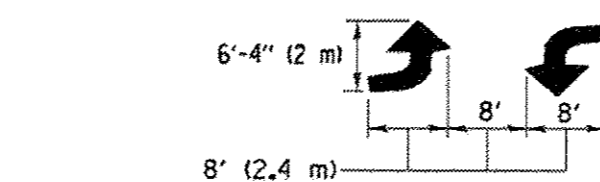


FOR MEDIAN LENGTHS WHERE DIAGONAL SPACING CANNOT BE ATTAINED, USE 5 (FIVE) EQUALLY SPACED DIAGONAL LINES.
 DIAGONAL LINE SPACING: 50' (15 m) C-C (LESS THAN 30MPH (50 km/h))
 75' (25 m) C-C (30MPH (50 km/h) TO 45MPH (70 km/h))
 150' (45 m) C-C (MORE THAN 45MPH (70 km/h))

MEDIANS OVER 4' (1.2 m) WIDE



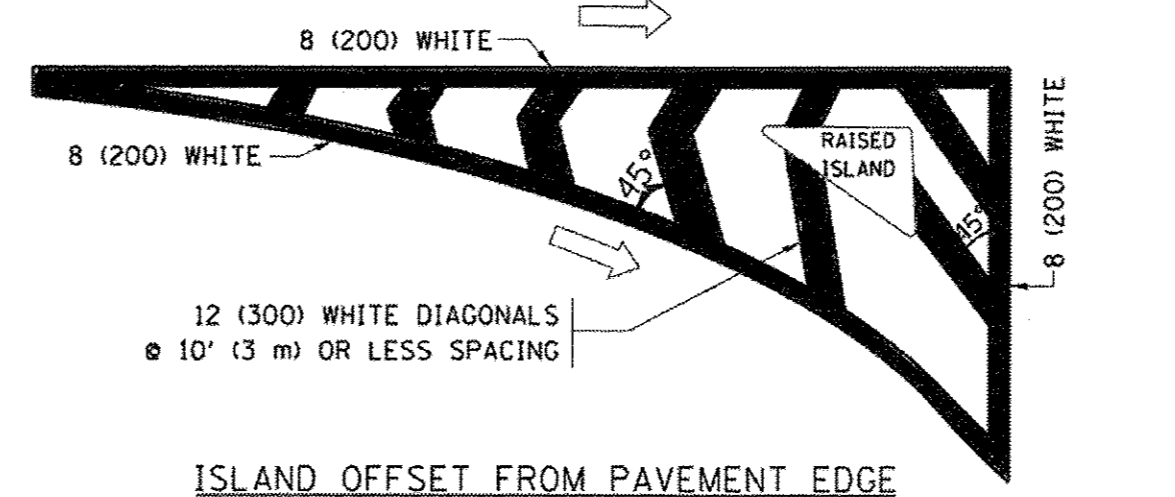
MEDIAN WITH TWO-WAY LEFT TURN LANE
TYPICAL PAINTED MEDIAN MARKING



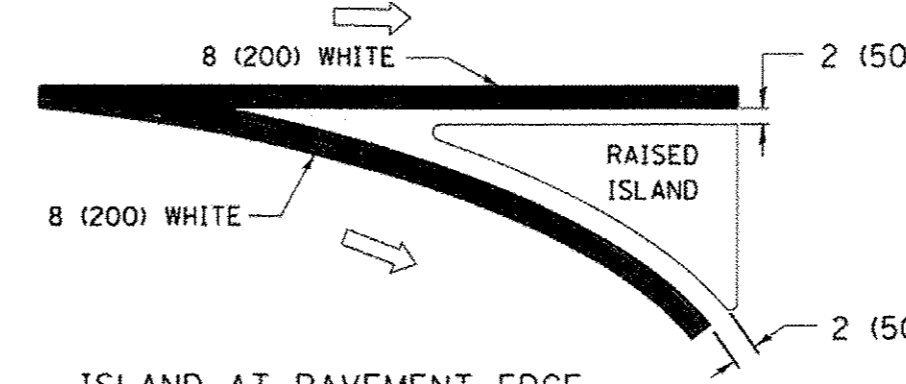
FULL SIZE LETTERS 8' (2.4 m) AND ARROWS SHALL BE USED.
 AREA = 15.6 SQ. FT. (1.5 m²) ONLY AREA = 20.8 SQ. FT. (1.9 m²)
 * TURN LANES IN EXCESS OF 400' (120 m) IN LENGTH MAY HAVE AN ADDITIONAL SET OF ARROW - "ONLY" INSTALLED MIDWAY BETWEEN THE OTHER TWO SETS OF ARROW - "ONLY".

TYPICAL LEFT (OR RIGHT) TURN LANE

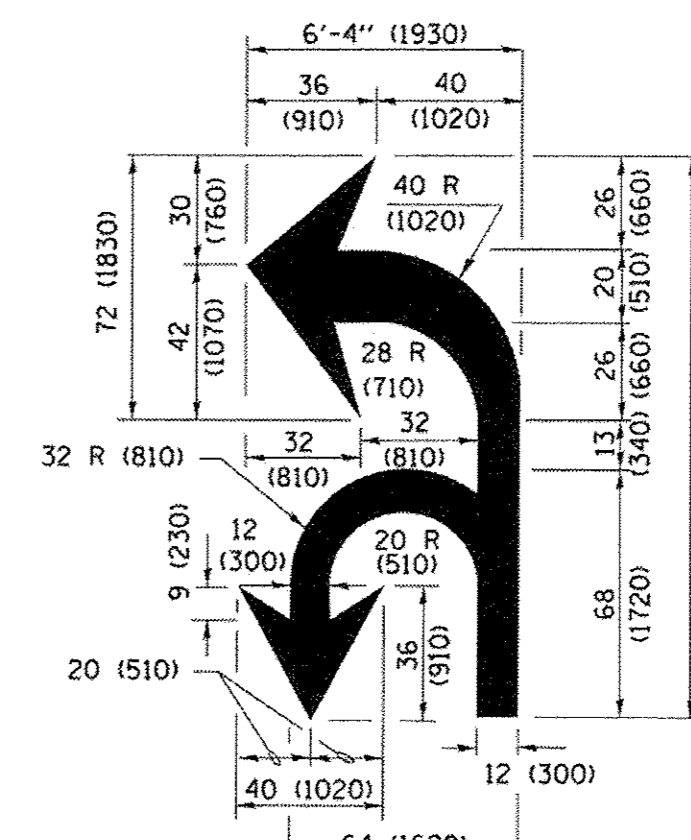
TYPICAL TURN LANE MARKING



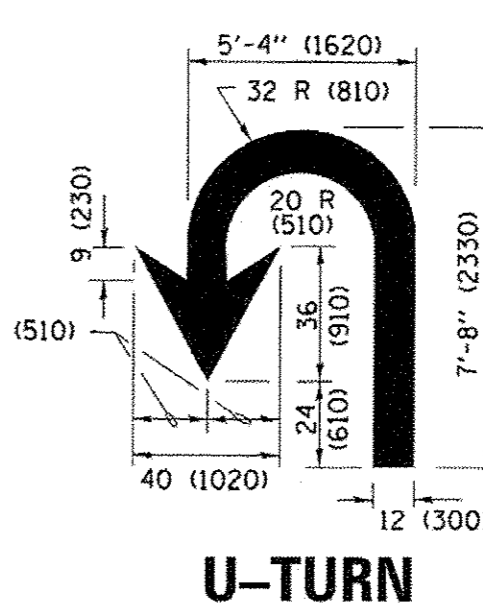
ISLAND OFFSET FROM PAVEMENT EDGE



ISLAND AT PAVEMENT EDGE
TYPICAL ISLAND MARKING



COMBINATION LEFT AND U-TURN



U-TURN

LANE REDUCTION TRANSITION

* LANE REDUCTION ARROWS REQUIRED AT SPEEDS OF 45 MPH OR GREATER OR WHEN SPECIFIED IN PLANS.

D(FT)	SPEED LIMIT
345	30
425	35
500	40
580	45
665	50
750	55

TYPE OF MARKING	WIDTH OF LINE	PATTERN	COLOR	SPACING /REMARKS
CENTERLINE ON 2 LANE PAVEMENT	4 (100)	SKIP-DASH	YELLOW	10' (3 m) LINE WITH 30' (9 m) SPACE
CENTERLINE ON MULTI-LANE UNDIVIDED PAVEMENT	2 @ 4 (100)	SOLID	YELLOW	11 (280) C-C
NO PASSING ZONE LINES: FOR ONE DIRECTION FOR BOTH DIRECTIONS	4 (100) 2 @ 4 (100)	SOLID SOLID	YELLOW YELLOW	5 1/2 (140) C-C FROM SKIP-DASH CENTERLINE 11 (280) C-C OMIT SKIP-DASH CENTERLINE BETWEEN
LANE LINES	4 (100) 5 (125) ON FREEWAYS	SKIP-DASH SKIP-DASH	WHITE WHITE	10' (3 m) LINE WITH 30' (9 m) SPACE
DOTTED LINES (EXTENSIONS OF CENTER, LANE OR TURN LANE MARKINGS)	SAME AS LINE BEING EXTENDED	SKIP-DASH	SAME AS LINE BEING EXTENDED	2' (600) LINE WITH 6' (1.8 m) SPACE
EDGE LINES	4 (100)	SOLID	YELLOW-LEFT WHITE-RIGHT	OUTLINE MEDIANS IN YELLOW
TURN LANE MARKINGS	6 (150) LINE; FULL SIZE LETTERS & SYMBOLS (8' (2.4m))	SOLID	WHITE	SEE TYPICAL TURN LANE MARKING DETAIL
TWO WAY LEFT TURN MARKING	2 @ 4 (100) EACH DIRECTION 8' (2.4m) LEFT ARROW	SKIP-DASH AND SOLID IN PAIRS	YELLOW WHITE	10' (3 m) LINE WITH 30' (9 m) SPACE FOR SKIP-DASH; 5 1/2 (140) C-C BETWEEN SOLID LINE AND SKIP-DASH LINE SEE TYPICAL TWO-WAY LEFT TURN MARKING DETAIL
CROSSWALK LINES (PEDESTRIAN) A. DIAGONALS (BIKE & EQUESTRIAN) B. LONGITUDINAL BARS (SCHOOL)	2 @ 6 (150) 12 (300) @ 45° 12 (300) @ 90°	SOLID SOLID SOLID	WHITE WHITE WHITE	NOT LESS THAN 6' (1.8 m) APART 2' (600) APART SEE TYPICAL CROSSWALK MARKING DETAILS.
STOP LINES	24 (600)	SOLID	WHITE	PLACE 4' (1.2 m) IN ADVANCE OF AND PARALLEL TO CROSSWALK, IF PRESENT. OTHERWISE, PLACE AT DESIRED STOPPING POINT, PARALLEL TO CROSSROAD CENTERLINE, WHERE POSSIBLE
PAINTED MEDIANS	2 @ 4 (100) WITH 12 (300) DIAGONALS @ 45° NO DIAGONALS USED FOR 4' (1.2 m) WIDE MEDIANS	SOLID	YELLOW TWO WAY TRAFFIC WHITE: ONE WAY TRAFFIC	11 (280) C-C FOR THE DOUBLE LINE SEE TYPICAL PAINTED MEDIAN MARKING.
GORE MARKING AND CHANNELIZING LINES	8 (200) WITH 12 (300) DIAGONALS @ 45°	SOLID	WHITE	DIAGONALS: 15' (4.5 m) C-C (LESS THAN 30MPH (50 km/h)) 20' (6 m) C-C (30MPH (50 km/h) TO 45MPH (70 km/h)) 30' (9 m) C-C (OVER 45MPH (70 km/h))
RAILROAD CROSSING	24 (600) TRANSVERSE LINES; "RR" IS 6' (1.8 m) LETTERS; 16 (400) LINE FOR "X"	SOLID	WHITE	SEE STATE STANDARD 780001 AREA OF: "R"=3.6 SQ. FT. (0.33 m ²) EACH "X"=54.0 SQ. FT. (5.0 m ²)
SHOULDER DIAGONALS (REQUIRED FOR SHOULDERS ≥ 8')	12 (300) @ 45°	SOLID	WHITE - RIGHT YELLOW - LEFT	50' (15 m) C-C (LESS THAN 30MPH (50 km/h)) 75' (25 m) C-C (30 MPH (50 km/h) TO 45MPH (70 km/h)) 150' (45 m) C-C (OVER 45MPH (70 km/h))
U TURN ARROW	SEE DETAIL	SOLID	WHITE	16.3 SF
2 ARROW COMBINATION LEFT AND U TURN	SEE DETAIL	SOLID	WHITE	30.4 SF

FOR FURTHER DETAILS ON PAVEMENT MARKING REFER TO STANDARD SPECIFICATIONS FOR ROAD AND BRIDGE CONSTRUCTION AND STATE STANDARD 780001.

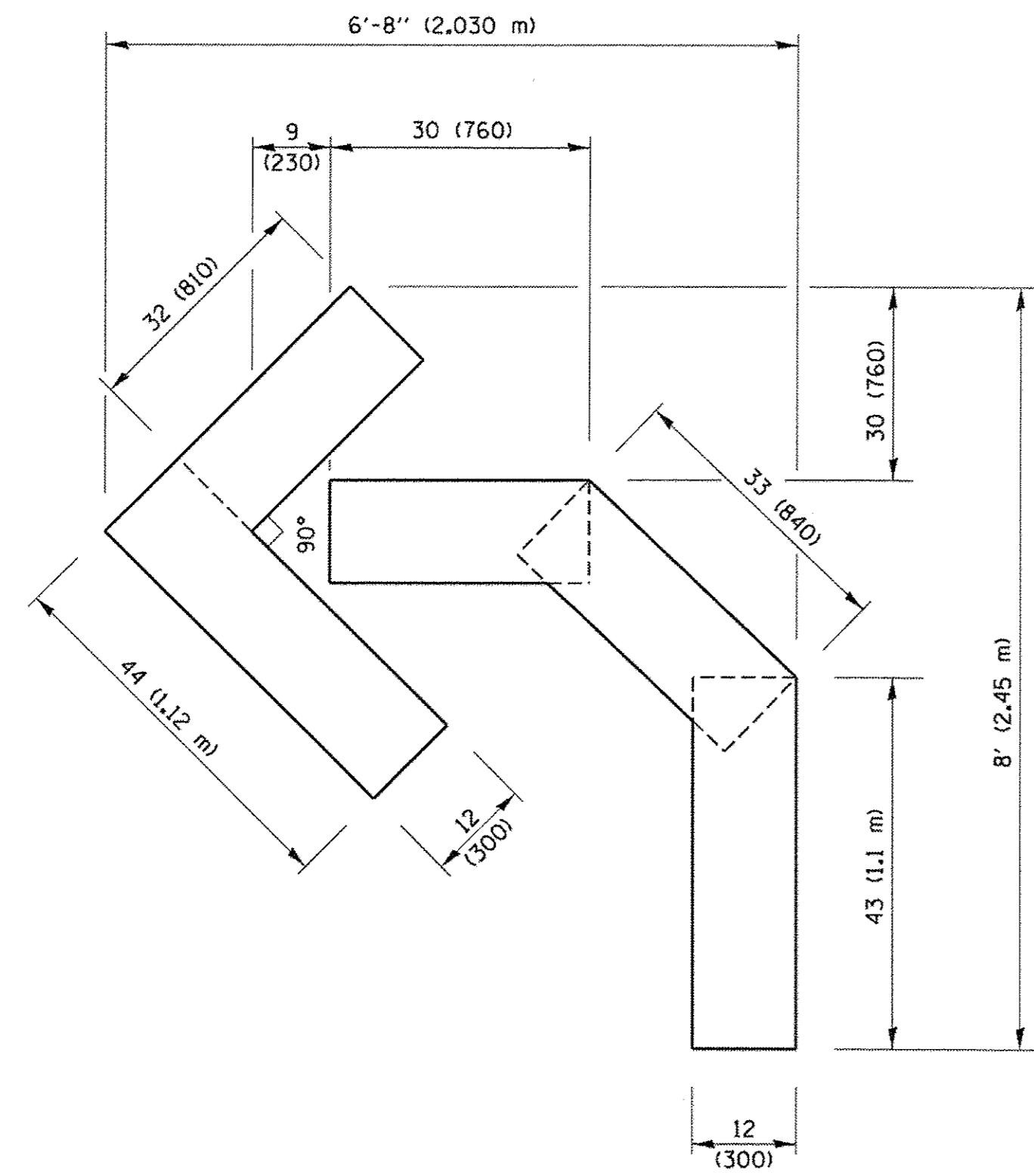
All dimensions are in inches (millimeters) unless otherwise shown.

FILE NAME =	USER NAME = footemj	DESIGNED - EVERS	REVISED - C. JUCIUS 09-09-09
p:\NL084EBID\INTEG\Illinois.gov\PI\DOT\Documents\DOT Offices\District 1\Projects\Dist	DRAWN\CADData\CAD\shets\vc13.dgn	CHECKED -	REVISED - C. JUCIUS 07-01-13
Default	PLOT SCALE = 50.000' / in.	DATE - 03-19-90	REVISED - C. JUCIUS 12-21-15
	PLOT DATE = 4/13/2016		REVISED - C. JUCIUS 04-12-16

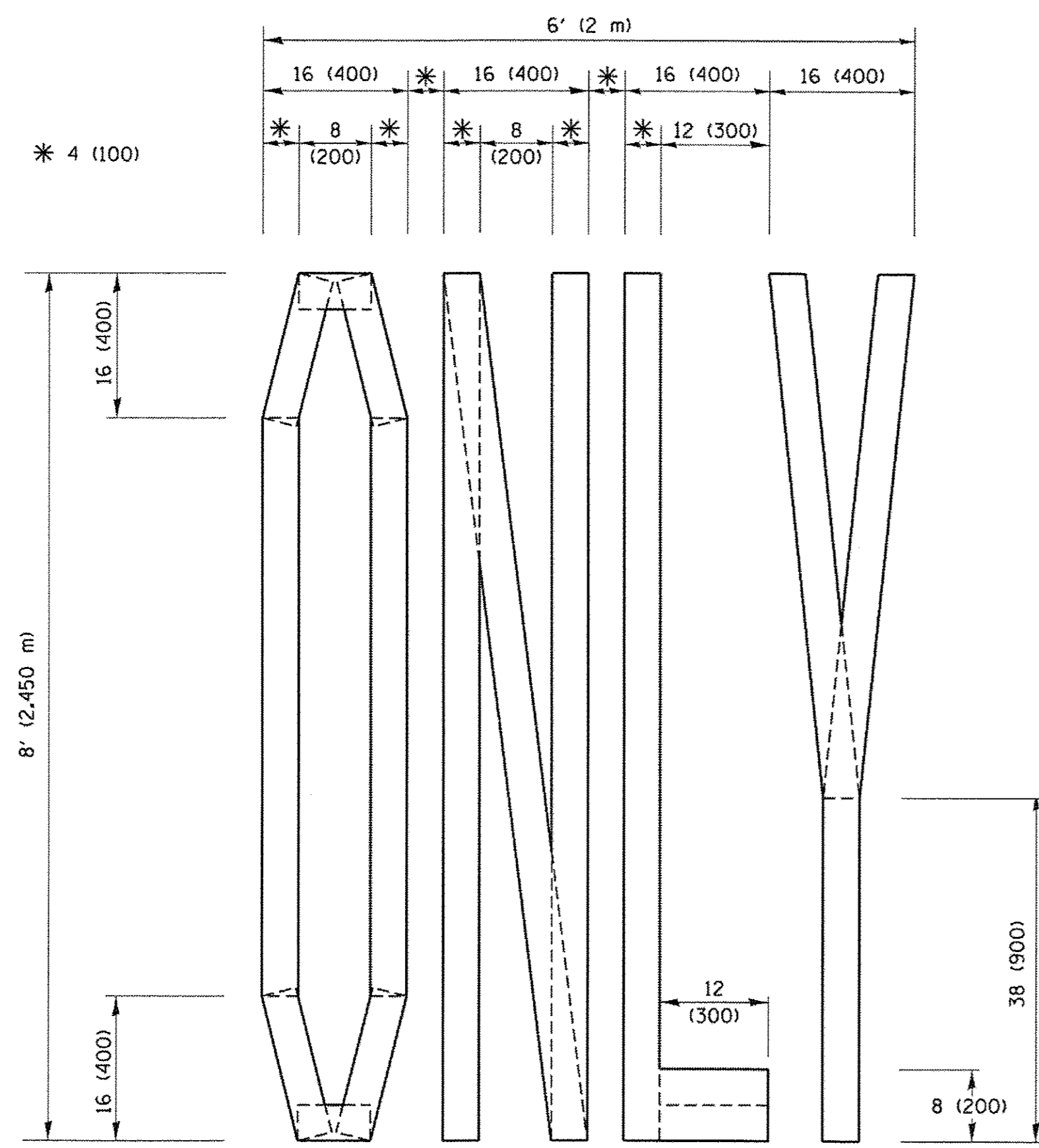
**STATE OF ILLINOIS
 DEPARTMENT OF TRANSPORTATION**

**DISTRICT ONE
 TYPICAL PAVEMENT MARKINGS**

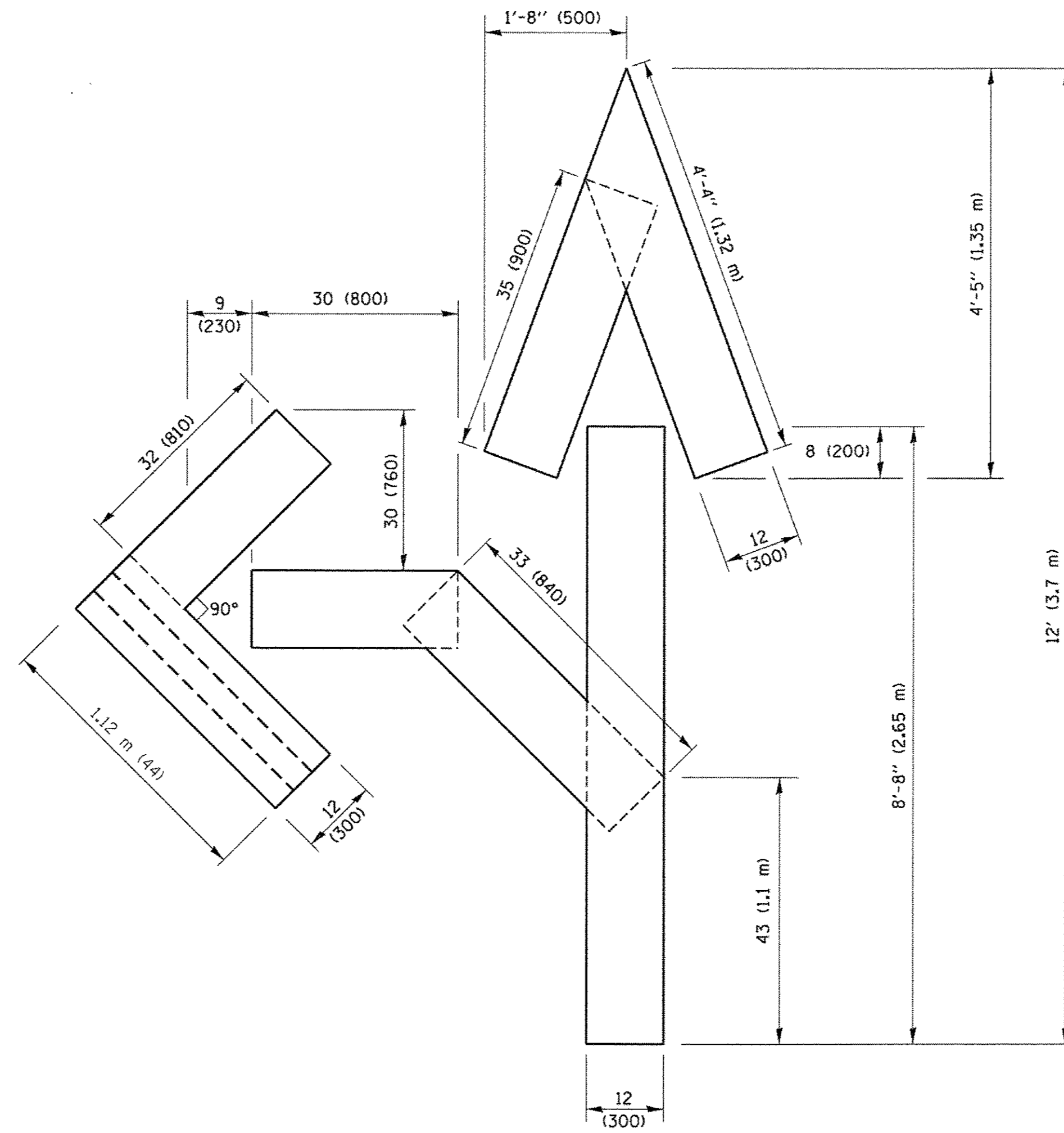
SCALE: NONE	SHEET 1 OF 1 SHEETS	STA. TO STA.	F.A.U. RTE. 2590	SECTION 16-00111-00-RS	COUNTY DU PAGE	TOTAL SHEETS 19	SHEET NO. 15
				TC-13	CONTRACT NO. 61D56	ILLINOIS FED. AID PROJECT	



QUANTITY
 4 (100) LINE = 45.5 ft. (13.9 m)
 15.2 sq. ft. (1.41 sq. m)

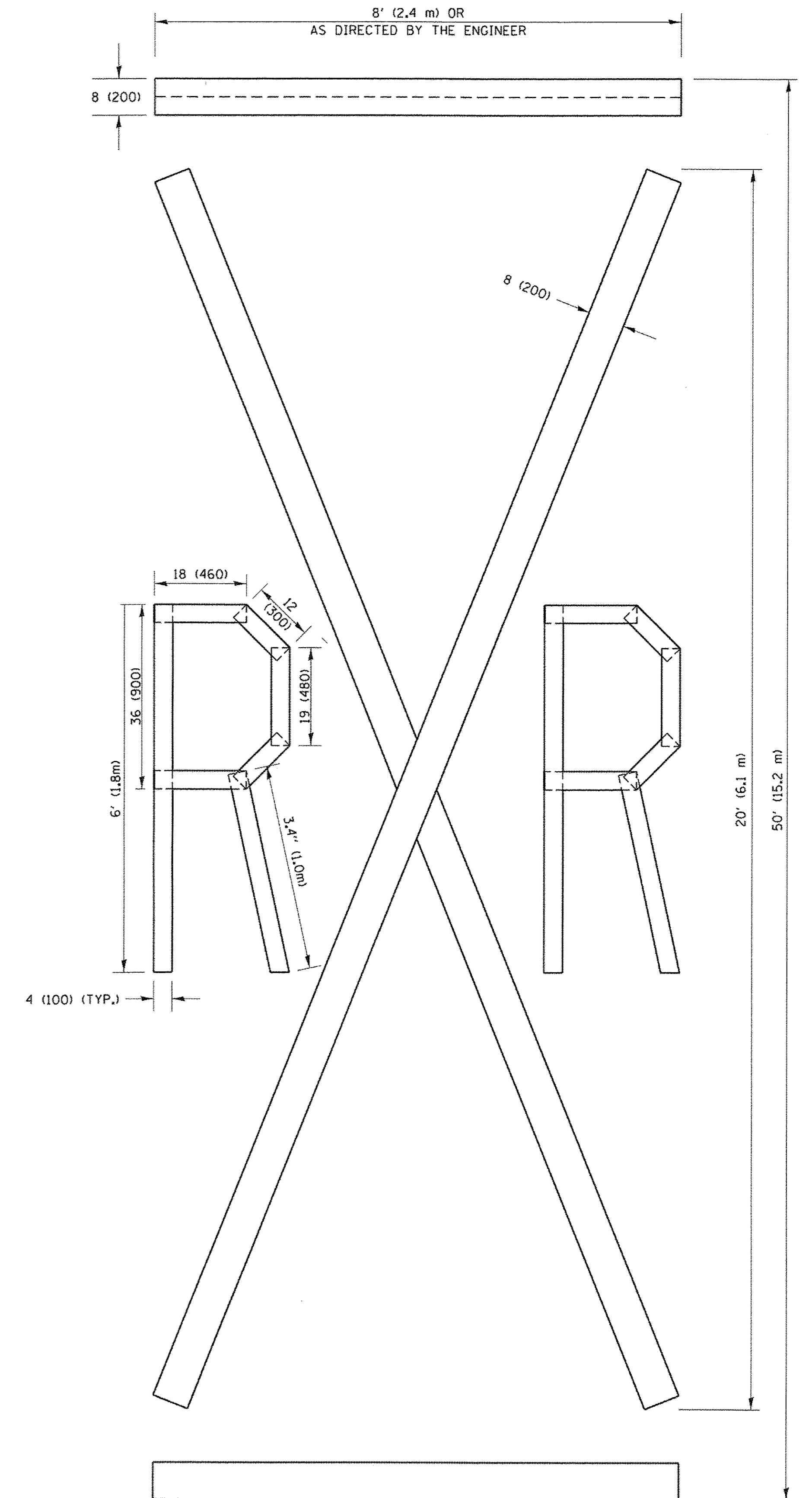


QUANTITY
 4 (100) LINE = 64.1 ft. (19.5 m)
 21.4 sq. ft. (1.99 sq. m)



QUANTITY
 4 (100) LINE = 82.5 ft. (25.1 m)
 27.5 sq. ft. (2.53 sq. m)

NOTE:
 ALL QUANTITIES OF PLACEMENT ARE REPRESENTED
 IN LINEAR FEET OF 4" LINES TO MATCH THE
 4" TEMPORARY TAPE PAY ITEM AND REPRESENTS
 THE TOTAL QUANTITY OF 4" TAPE REQUIRED.



QUANTITY
 4 (100) LINE = 225.9 ft. (68.9 m)
 75.3 sq. ft. (6.99 sq. m)

All dimensions are in inches (millimeters)
 unless otherwise shown.

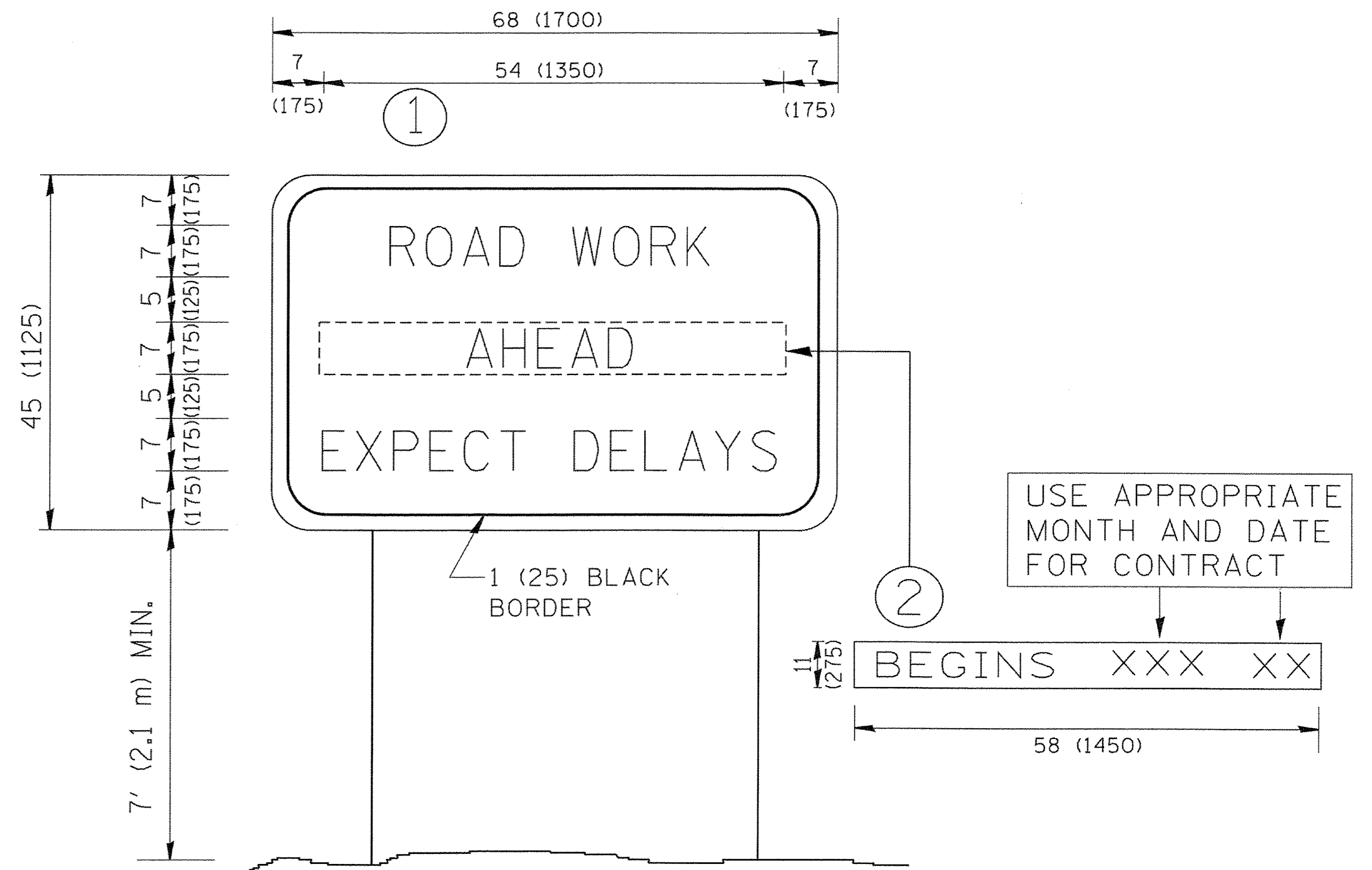
FILE NAME = p:\11\084EBID\INTEG.ILLINOIS.GOV\PI\DOT\Documents\DOT Offices\District 1\Projects\Dist	USER NAME = fcoatemj	DESIGNED -	REVISED - T. RAMMACHER 03-02-98
DRAWN\CADData\CADsheets\tol6.dgn		CHECKED -	REVISED - E. GOMEZ 08-28-00
PLOT SCALE = 50.0000' / 1"		DATE - 09-18-94	REVISED - E. GOMEZ 08-28-00
PLOT DATE = 9/15/2016			REVISED - A. SCHUETZE 09-15-16

**STATE OF ILLINOIS
 DEPARTMENT OF TRANSPORTATION**

SHORT TERM PAVEMENT MARKING LETTERS AND SYMBOLS

SCALE: NONE SHEET NO. 1 OF 1 SHEETS STA. TO STA.

F.A.U. RTE. 2590	SECTION 16-00111-00-RS	COUNTY DU PAGE	TOTAL SHEETS 19	SHEET NO. 16
TC-16		CONTRACT NO. 61D56		
FED. ROAD DIST. NO. 1 ILLINOIS FED. AID PROJECT				



NOTES:

1. USE BLACK LETTERING ON ORANGE BACKGROUND.
2. ERECT SIGNS IN ADVANCE OF THE LOCATION FOR THE "ROAD CONSTRUCTION AHEAD" SIGN AT LOCATIONS AS DIRECTED BY THE ENGINEER.
3. ERECT SIGN ① WITH INSTALLED PANEL ② ONE WEEK PRIOR TO THE START OF CONSTRUCTION.
4. REMOVE PANEL ② SOON AFTER THE START OF CONSTRUCTION.
5. SEE SPECIAL PROVISION FOR "TEMPORARY INFORMATION SIGNING" FOR ADDITIONAL INFORMATION.
6. ONE SIGN ASSEMBLY EQUALS 25.70 SQ. FT. (2.3 SQ. M.)
7. SHALL BE PAID FOR AS TEMPORARY INFORMATION SIGNING.

ALL DIMENSIONS ARE IN INCHES (MILLIMETERS) UNLESS OTHERWISE SHOWN.

FILE NAME = W:\diststd\22x34\tc22.dgn	USER NAME = gogliobt	DESIGNED -	REVISED - R. MIRS 09-15-97
		DRAWN -	REVISED - R. MIRS 12-11-97
	PLOT SCALE = 50,000 ' / IN.	CHECKED -	REVISED - T. RAMMACHER 02-02-99
	PLOT DATE = 1/4/2008	DATE -	REVISED - C. JUCIUS 01-31-07

**STATE OF ILLINOIS
DEPARTMENT OF TRANSPORTATION**

**ARTERIAL ROAD
INFORMATION SIGN**

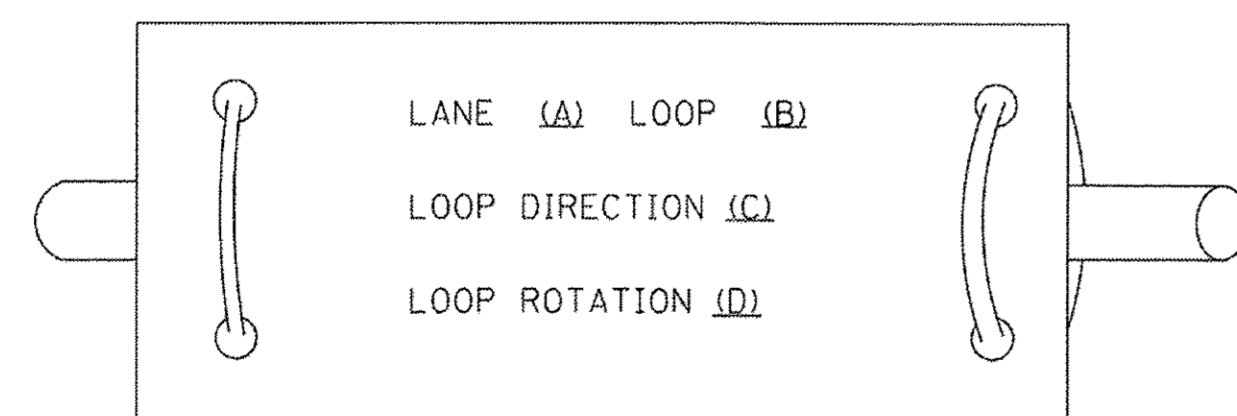
SCALE: NONE SHEET NO. 1 OF 1 SHEETS STA. TO STA.

F.A.U. RTE. 2590	SECTION 16-00111-00-RS	COUNTY DU PAGE	TOTAL SHEETS 19	SHEET NO. 17
TC-22			CONTRACT NO. 61D56	
FED. ROAD DIST. NO. 1 ILLINOIS FED. AID PROJECT				

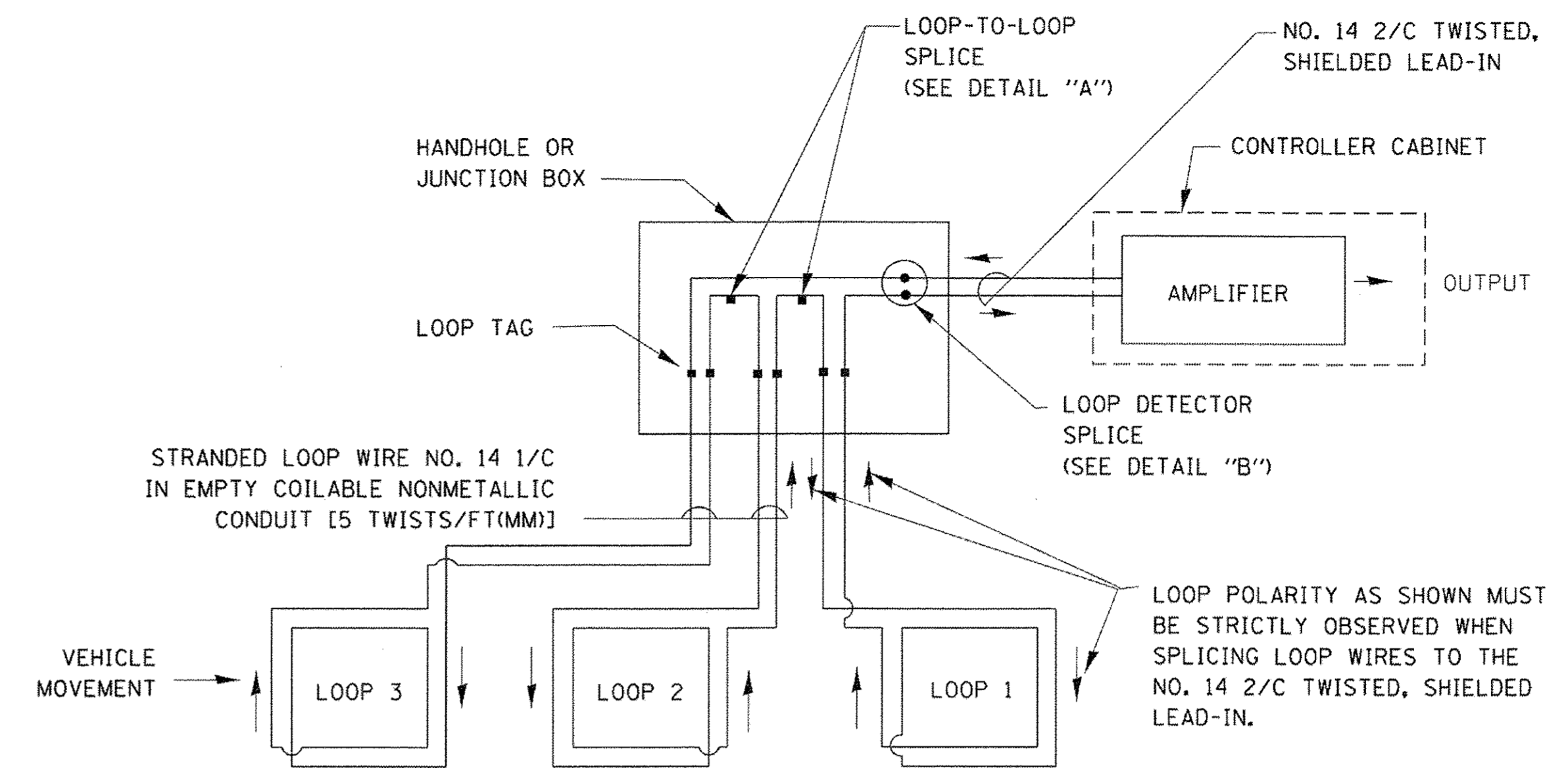
LOOP DETECTOR NOTES

1. EACH PAIR OF LOOP WIRES SHALL BE PLACED IN A SEPARATE EMPTY COILABLE NONMETALLIC CONDUIT FROM THE EDGE OF PAVEMENT TO THE HANDHOLE. SPACING BETWEEN THE HOLES DRILLED IN THE PAVEMENT SHALL NOT BE LESS THAN 6" (150 mm). EMPTY COILABLE NONMETALLIC CONDUIT SHALL BE INCLUDED IN THE COST OF THE LOOP WIRE.
2. THE NUMBER OF LOOP TURNS SHALL BE AS RECOMMENDED BY THE AMPLIFIER MANUFACTURER. ALL ADJACENT SIDES OF THE LOOPS SHALL BE INSTALLED IN SUCH A WAY THAT THE CURRENT FLOW IS IN THE SAME DIRECTION TO REINFORCE ITS MAGNETIC FIELDS FOR SMALL VEHICLE DETECTION.
3. EACH LOOP LEAD-IN SHALL BE IDENTIFIED AND PERMANENTLY TAGGED IN THE HANDHOLE. EACH LEAD-IN CABLE TAG SHALL INDICATE THE LOCATION OF THE LOOP, LOOP ROTATION (CLOCKWISE/COUNTERCLOCKWISE), LOOP LEAD-IN DIRECTION (IN OR OUT), LOOP CABLE NUMBER AND LOCATION IN CABINET, AND NUMBER OF TURNS IN THE DETECTOR LOOPS IN WATER PROOF INK AS INDICATED ON THE DISTRICT 1 STANDARD TRAFFIC SIGNAL DESIGN DETAIL. THE CONTRACTOR SHALL MARK LOOP LOCATIONS ON RECORD DRAWINGS AND PRESENT TO THE ENGINEER AFTER FINAL INSPECTION. LOOPS SHALL BE MARKED BY LANE AND LOOP NUMBER. SEE DETAIL BELOW.
4. ALL LOOP CABLE SHALL BE FASTENED WITH PLASTIC TIE WRAP TO THE HANDHOLE HOOKS.
5. IN ASPHALT PAVEMENT, LOOPS SHOULD BE PLACED IN THE BINDER AND DIVEHOLES MARKED AT THE CURB WITH A SAW-CUT. THE SAW-CUT SHALL BE CUT IN ACCORDANCE WITH LOCAL AND E.P.A. DUST CONTROL REQUIREMENTS. DETECTOR LOOP(S) SHALL NOT BE INSTALLED IN WET CONDITIONS AND THE SAW-CUTS MUST BE FREE OF DEBRIS AND RESIDUE SUCH AS DUST AND WATER WHICH IS TO BE ACHIEVED BY THE USE OF COMPRESSED AIR, WIRE BRUSHING AND HEAT DRYING ACCORDING TO SEALANT MANUFACTURER REQUIREMENTS. THE DETECTOR WIRE SHALL BE HELD IN PLACE BY THE USE OF FORM WEDGES. WEDGES SHALL BE SPACED NO MORE THAN 18" (450 mm) APART.
6. LOOP SPLICES SHALL BE SOLDERED USING A SOLDERING IRON. BLOW TORCHES OR OTHER DEVICES WHICH OXIDIZE COPPER CABLE SHALL NOT BE ALLOWED FOR SOLDERING OPERATIONS. SEE DETAIL BELOW RIGHT.
7. PREFORMED DETECTOR LOOPS SHALL BE USED, AS SHOWN ON THE PLANS, WHERE NEW CONCRETE PAVEMENT IS PROPOSED. THE INSTALLATION OF PREFORMED LOOPS SHALL BE IN ACCORDANCE WITH THE DISTRICT 1 SPECIFICATIONS OR AS DIRECTED BY THE ENGINEER.

LOOP LEAD-IN CABLE TAG

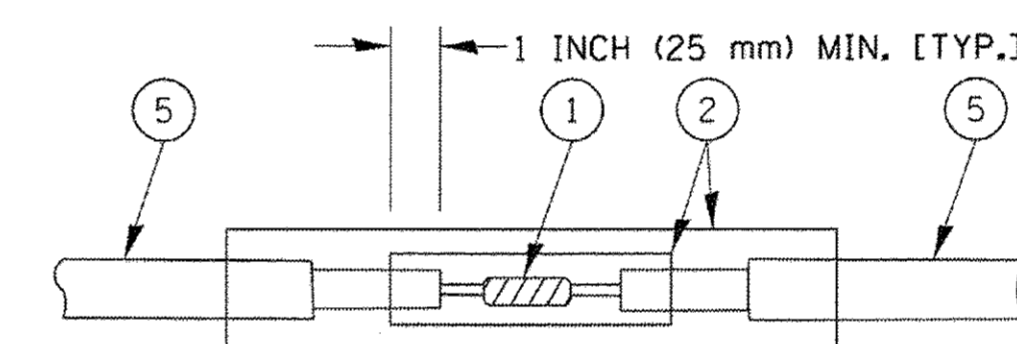


- A. LANE 1 IS THE LANE CLOSEST TO THE CENTERLINE OF THE ROADWAY
- B. LOOP #1 IS THE LOOP IN THE LANE CLOSEST TO THE INTERSECTION.
- C. LABEL LOOP CABLE "IN" OR LOOP CABLE "OUT".
- D. LABEL LOOP CABLE CLOCKWISE OR LOOP CABLE COUNTERCLOCKWISE.

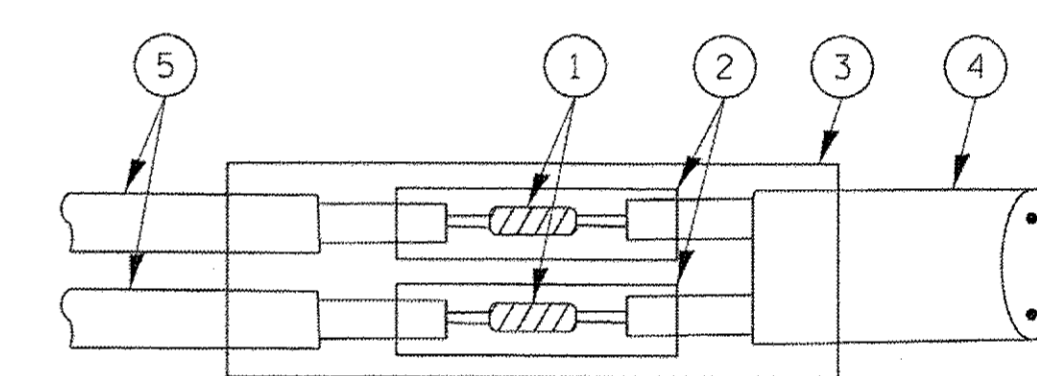


DETECTOR LOOP WIRING SCHEMATIC

- LOOPS SHALL BE SPLICED IN SERIES.
- SAW-CUTS SHALL BE A MINIMUM WIDTH OF 5/16" (8 mm).
- SAW-CUT DEPTHS SHALL BE 3" (75 mm). IF IN CONCRETE, THE SAW-CUT DEPTH SHALL BE TO THE TOP OF THE REINFORCEMENT.
- LOOP CORNERS SHALL BE DRILLED WITH A 2" (50 mm) DIAMETER CORE.

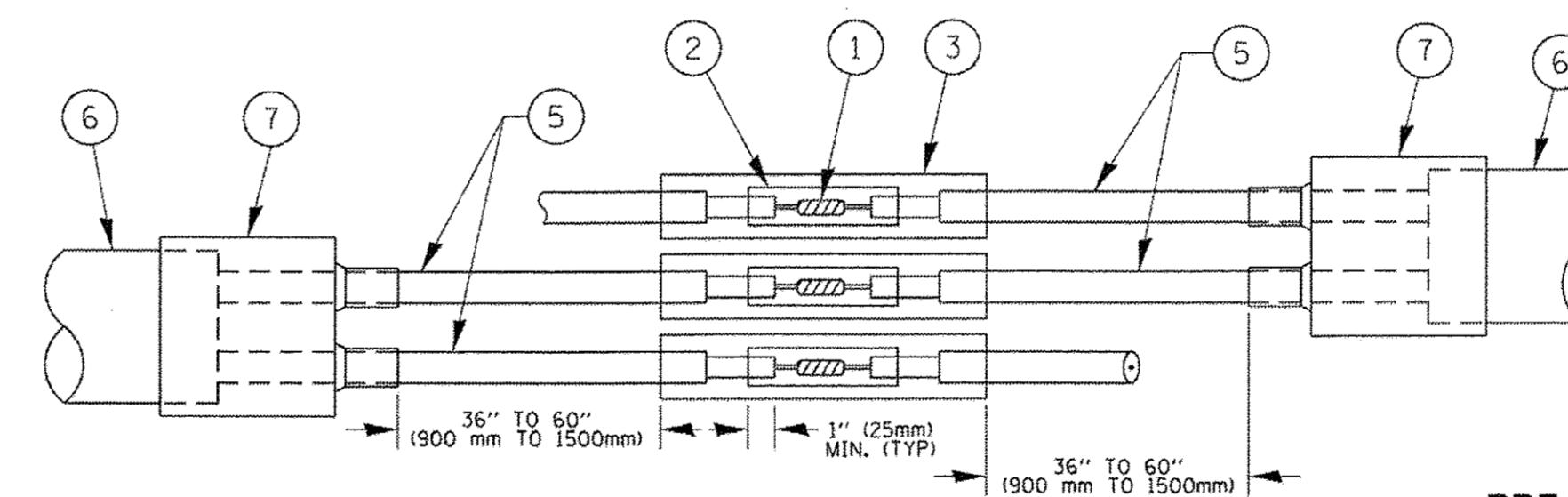


DETAIL "A"
LOOP-TO-LOOP SPLICE

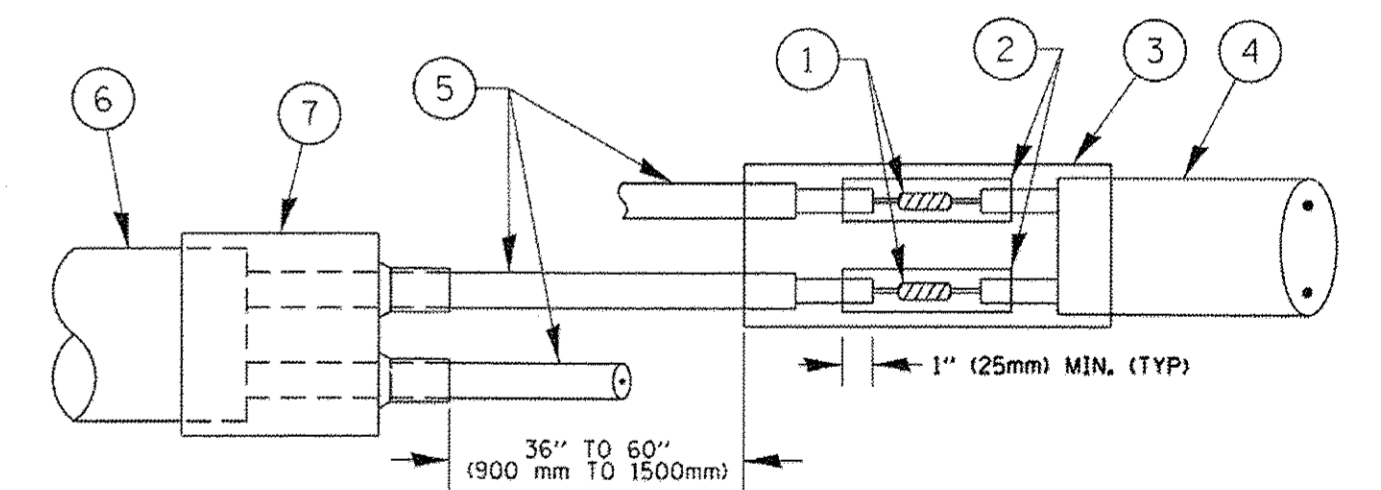


DETAIL "B"
LOOP-TO-CONTROLLER SPLICE

TYPE I LOOP



DETAIL "A"
LOOP-TO-LOOP SPLICE



DETAIL "B"
LOOP-TO-CONTROLLER SPLICE

PREFORMED LOOP

LOOP DETECTOR SPLICE

- 1 WESTERN UNION SPLICE SOLDERED WITH ROSIN CORE FLUX. ALL EXPOSED SURFACES OF THE SOLDER SHALL BE SMOOTH. THE WESTERN UNION SPLICES SHALL BE STAGGERED.
- 2 WCSMW 30/100 HEAT SHRINK TUBE, MINIMUM LENGTH 3" (75 mm), UNDERWATER GRADE.
- 3 WCS 200/750 HEAT SHRINK TUBE, MINIMUM LENGTH 6" (150 mm), UNDERWATER GRADE.
- 4 NO. 14 2/C TWISTED, SHIELDED CABLE.
- 5 LOOP CONDUCTOR WITH FLEXIBLE PLASTIC TUBE.
- 6 PREFORMED LOOP
- 7 XL POLYOLEFIN 2 CONDUCTOR BREAKOUT SEALS. TYCO CBR-2 OR APPROVED EQUAL

FILE NAME =	USER NAME = footemj	DESIGNED - DAD	REVISED - DAG 1-1-14
c:\pwork\pwork\pwork\footemj\02108315\ts05.dgn		DRAWN - BCK	REVISED -
		CHECKED - DAD	REVISED -
		DATE - 10-28-09	REVISED -

**STATE OF ILLINOIS
DEPARTMENT OF TRANSPORTATION**

**DISTRICT ONE
STANDARD TRAFFIC SIGNAL DESIGN DETAILS**

SCALE: NONE SHEET NO. 2 OF 7 SHEETS STA. TO STA.

F.A.U. RTE. 2590	SECTION 16-00111-00-RS	COUNTY DU PAGE	TOTAL SHEETS 19	SHEET NO. 18
TS-05		CONTRACT NO. 61D56		
FED. ROAD DIST. NO. 1 ILLINOIS FED. AID PROJECT				

