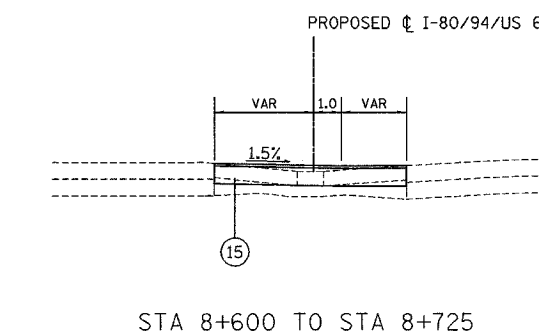
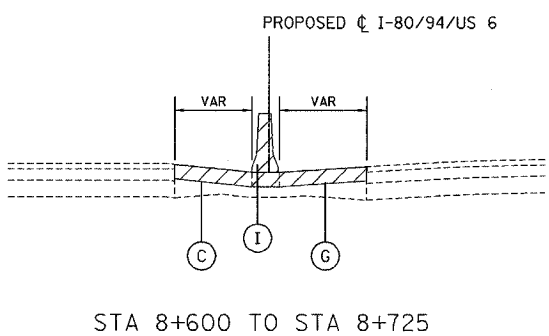
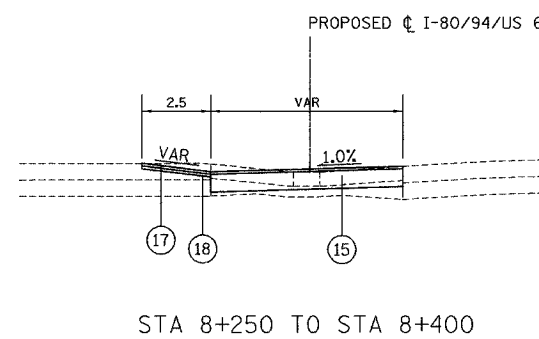
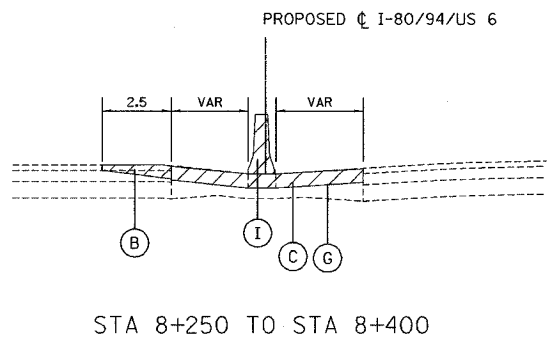
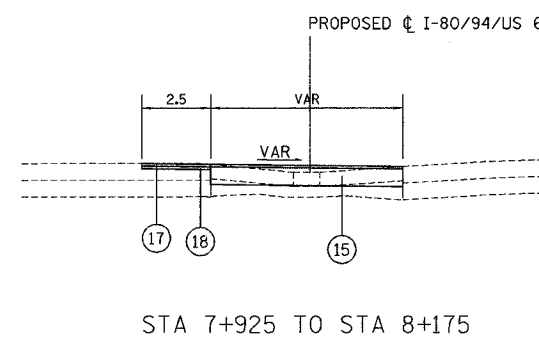
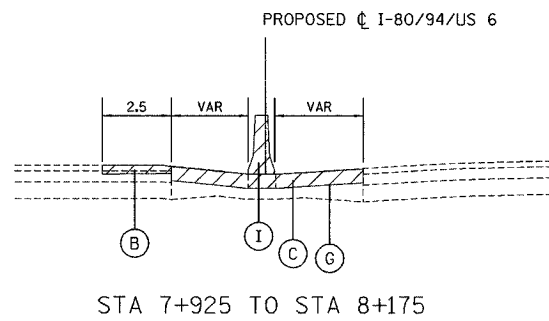
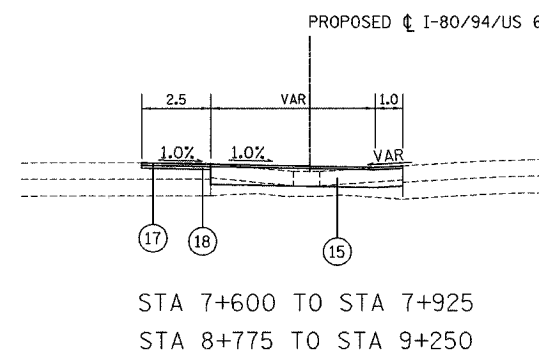
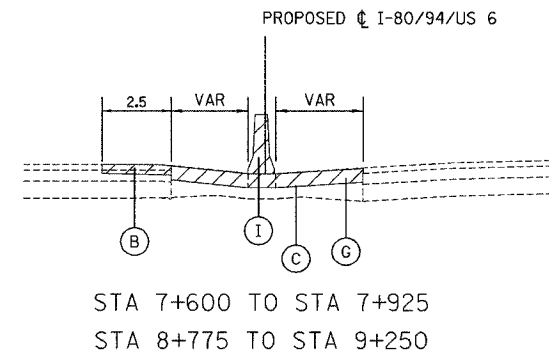


ALL DIMENSIONS IN METERS EXCEPT PAY ITEMS AND UNLESS NOTED OTHERWISE

F.A.I. RTE.	SECTION	COUNTY	TOTAL SHEETS	SHEET NO.
80/94	2626.2-R-1	COOK	452	12
STA.	TO STA.			
FED. ROAD DIST. NO.	ILLINOIS FED. AID PROJECT			
CONTRACT NO. 62113	INDOT DES. NO. 0100987			

EXISTING MEDIAN

PROPOSED MEDIAN



EXISTING LEGEND

- A BITUMINOUS SURFACE REMOVAL 95MM
 - B BITUMINOUS SURFACE REMOVAL (VARIABLE DEPTH)
 - C PAVED SHOULDER REMOVAL
 - D BITUMINOUS OVERLAY (150MM & VAR)
 - E PORTLAND CEMENT CONCRETE PAVEMENT (275MM & VAR)
 - F AGGREGATE SUBGRADE (300MM & VAR)
 - G BITUMINOUS PAVEMENT (250MM & VAR)
 - H BITUMINOUS PAVEMENT (400MM & VAR)
 - I CONCRETE BARRIER
 - J EXISTING TOPSOIL (200MM & VAR)
 - K RETAINING WALL (TO BE CONSTRUCTED BY OTHER)
 - L PAVEMENT UNDERDRAINS (LOCATIONS UNCERTAIN)
- REMOVAL ITEM

PROPOSED LEGEND

- 1 EARTH EXCAVATION
- 2 EARTH EXCAVATION (SPECIAL)
- 3 EMBANKMENT
- 4 GEOTECHNICAL FABRIC FOR GROUND STABILIZATION
- 5 TOPSOIL FURNISH AND PLACE, XXX MM & SEEDING, CLASS 2A
- 6 TEMPORARY EROSION CONTROL SEEDING
- 7 SUB-BASE GRANULAR MATERIAL, TYPE B 300MM
- 8 STABILIZED SUB-BASE 150MM
- 9 CONTROLLED LOW-STRENGTH MATERIAL
- 10 CONTINUOUSLY REINFORCED PORTLAND CEMENT CONCRETE PAVEMENT 360MM
- 11 PAVEMENT REINFORCEMENT 360MM
- 12 PORTLAND CEMENT CONCRETE SHOULDERS - 360MM
- 13 PIPE UNDERDRAINS 150MM
- 14 STEEL PLATE BEAM GUARDRAIL, TYPE A
- 15 SHORT TERM PAVEMENT SUPERPAVE (FULL DEPTH)
- 16 WHITEWASHING FOR CONCRETE PAVEMENT
- 17 POLYMERIZED BITUMINOUS CONCRETE SURFACE COURSE, SUPERPAVE, MIX "F", N105 45MM
- 18 BITUMINOUS CONCRETE BINDER COURSE, SUPERPAVE, IL-19.0, N105 50MM & VAR
- 19 TEMPORARY SHEET PILING (REMAIN IN PLACE) (SEE STRUCTURE PLANS)
- 20 TEMPORARY CONCRETE BARRIER (OF THE TYPE SPECIFIED)
- 21 RETAINING WALL (THIS CONTRACT)

LONGITUDINAL JOINTS (LJ)
(INCLUDED IN THE COST OF CRC PAVEMENT OR PCC SHOULDER)
CONSTRUCTION JOINT W/ NO. 25 DEFORMED TIE BARS (EPOXY COATED) 600 mm LONG AT 600 mm CTRS, GROUT IN PLACE
SAWED JOINT W/ NO. 20 DEFORMED TIE BARS (EPOXY COATED) 750 mm LONG AT 750 mm CTRS

BRIDGE OMISSIONS: STA 8+193.7 TO 8+246.2 HOHMAN AVE BRIDGE
STA 8+410.9 TO 8+599.1 LITTLE CAL BRIDGE
STA 8+726.7 TO 8+781.0 HARRISON ST BRIDGE

ILLINOIS DEPARTMENT OF TRANSPORTATION
I-80/94/US 6
KINGERY-BORMAN EXPRESSWAY
BURNHAM ROAD TO US 41
TYPICAL SECTIONS
I-80 /94 /US-6

REVISIONS	
NAME	DATE

SCALE NTS
DATE 07/04

DRAWN BY ACE/CAD
CHECKED BY TAE



MEDIAN DETAILS