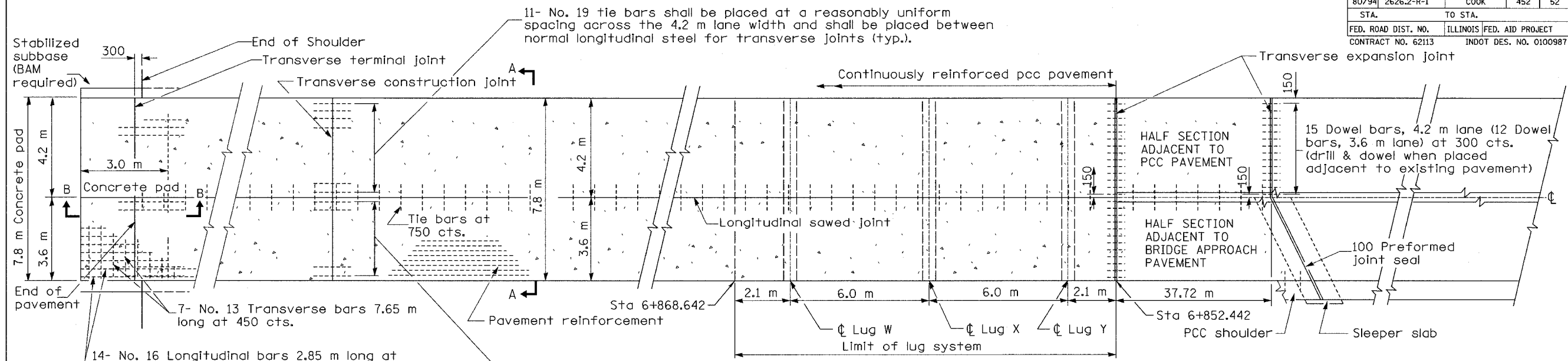
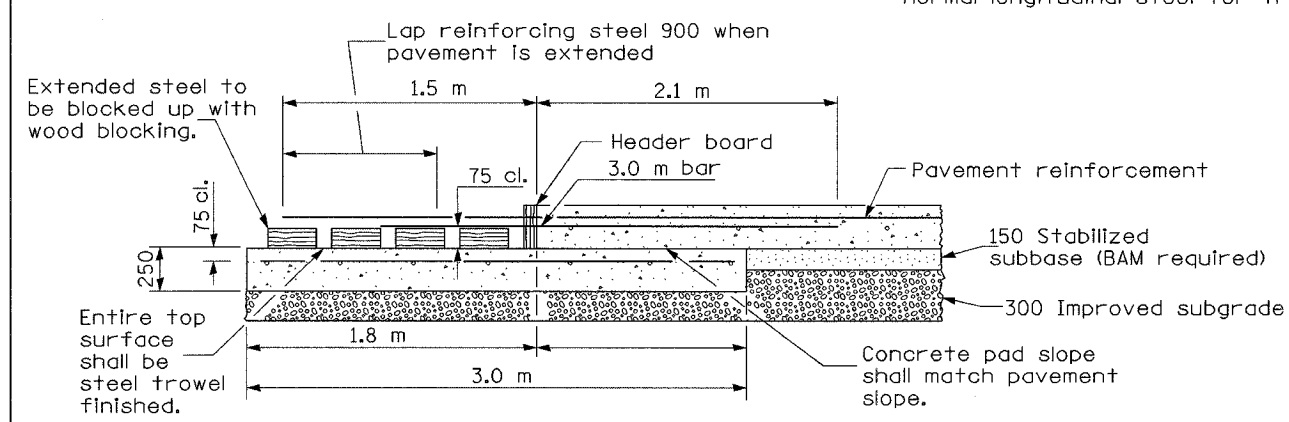


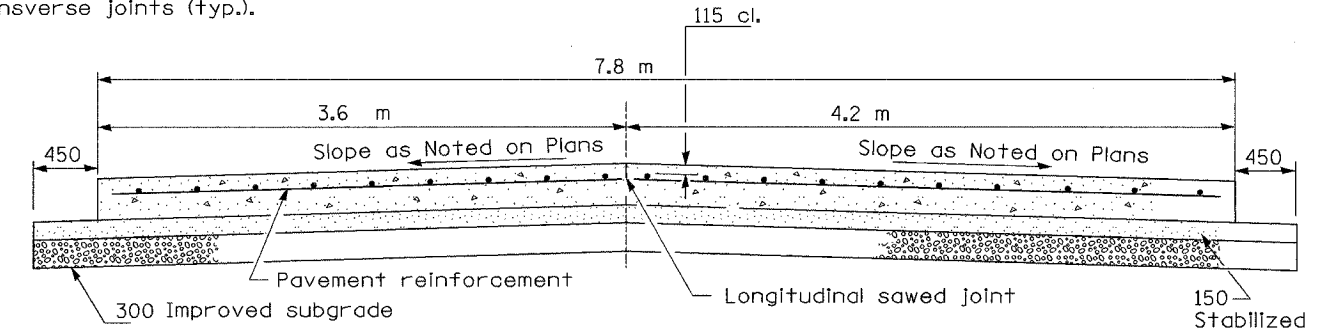
F.A.I. RTE.	SECTION	COUNTY	TOTAL SHEETS	SHEET NO.
80/94	2626.2-R-1	COOK	452	52
STA.	TO STA.			
FED. ROAD DIST. NO.	ILLINOIS	FED. AID PROJECT		
CONTRACT NO. 62113	INDOT DES. NO. 0100987			



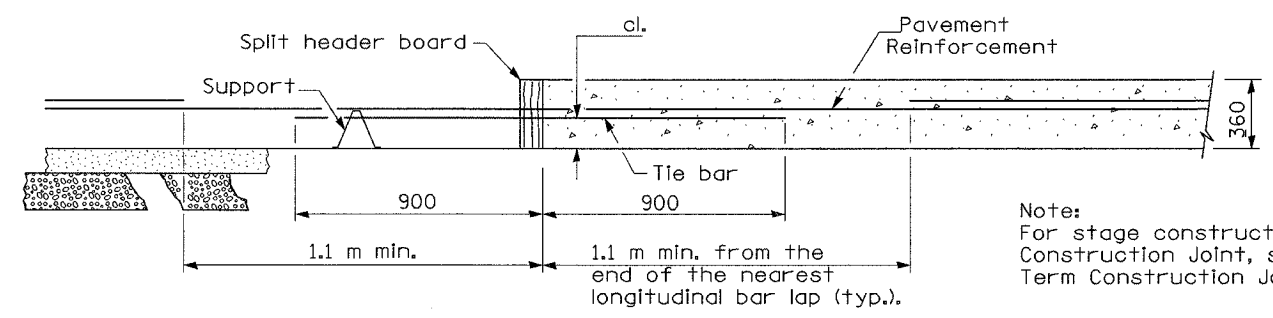
PLAN



TRANSVERSE TERMINAL JOINT
SECTION B-B



SECTION A-A



TRANSVERSE CONSTRUCTION JOINT

All dimensions are in millimeters unless otherwise shown.

GENERAL NOTES

- (See Detail for "Bar Reinforcement for 4.2 m CRC Pavement Reinforcement" for 4.2 m lane.
- See Standard 421001 for details of pavement reinforcement for 3.6 m lane.
- See Standards 420001 and 420401 for joint details not shown.

Note:
For stage construction of Transverse Construction Joint, see detail for Long Term Construction Joint Details.

REVISIONS	
NAME	DATE

ILLINOIS DEPARTMENT OF TRANSPORTATION
I-80/94/US 6
KINGERY-BORMAN EXPRESSWAY
BURNHAM ROAD TO US 41
**7.8 M CRC PAVEMENT
(WITH LUG SYSTEM)**
SCALE NONE DRAWN BY ACE/CAD
DATE 07/04 CHECKED BY TAE
AMERICAN
CONSULTING ENGINEERS

I:\Projects\8094\8094.dwg 07/20/04 01:16:37 PM