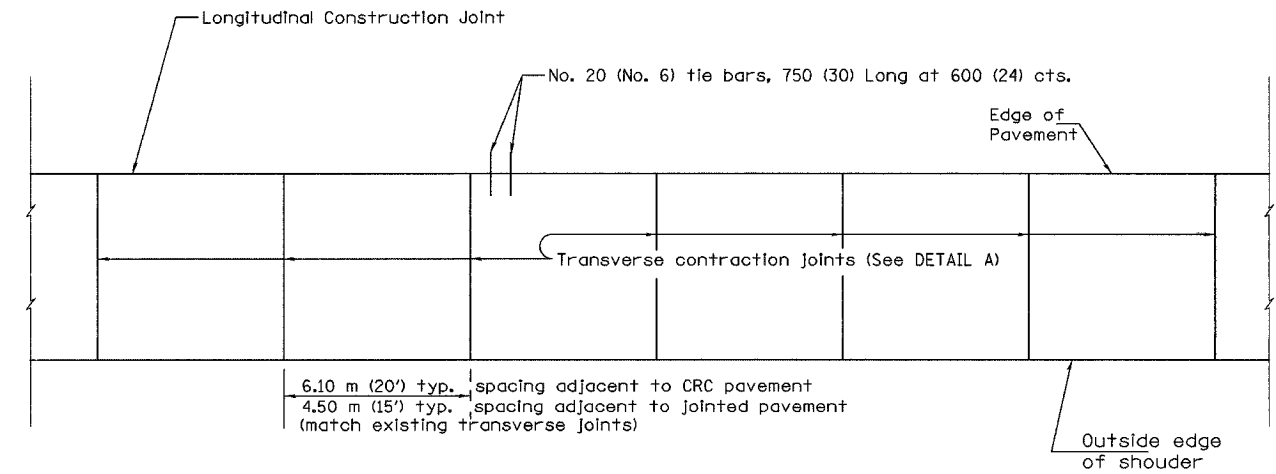
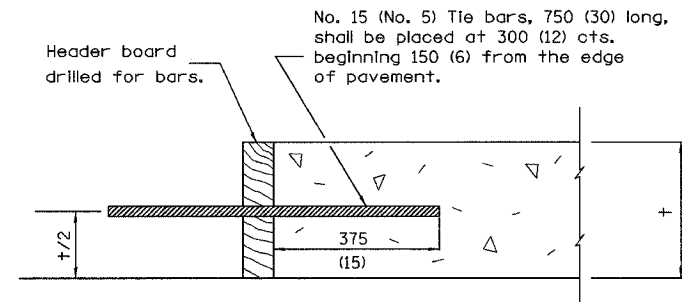


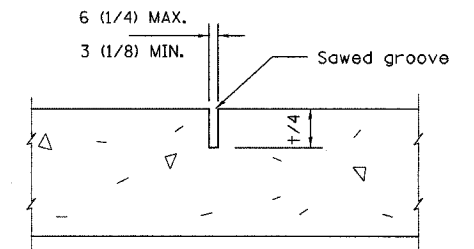
F.A.I. RTE.	SECTION	COUNTY	TOTAL SHEETS	SHEET NO.
80/94	2626.2-R-1	COOK	452	58A
STA.	TO STA.			
FED. ROAD DIST. NO.	ILLINOIS	FED. AID PROJECT		
CONTRACT NO. 62113	INDOT DES. NO. 0100987			



PLAN



TRANSVERSE CONSTRUCTION JOINT



**DETAIL A
TRANSVERSE CONTRACTION JOINT**

NOTES

1. Transverse expansion joints shall be as detailed on Standard 420001 except that dowel bars will not be required.
2. See Standard 420001 for details not shown.

All dimensions are in millimeters (Inches) unless otherwise shown.

REVISIONS		ILLINOIS DEPARTMENT OF TRANSPORTATION F.A.I. ROUTE 80/94 (KINGERY EXPRESSWAY)
NAME	DATE	
		PCC SHOULDER DETAILS SCALE _____ DRAWN BY ACE/CAD DATE 07/04 CHECKED BY _____