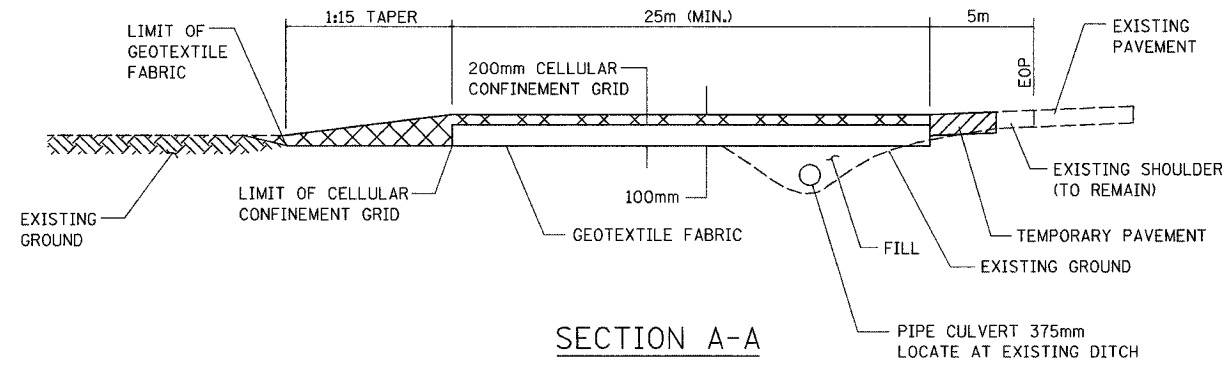


ALL DIMENSIONS IN METERS EXCEPT PAY ITEMS AND UNLESS NOTED OTHERWISE

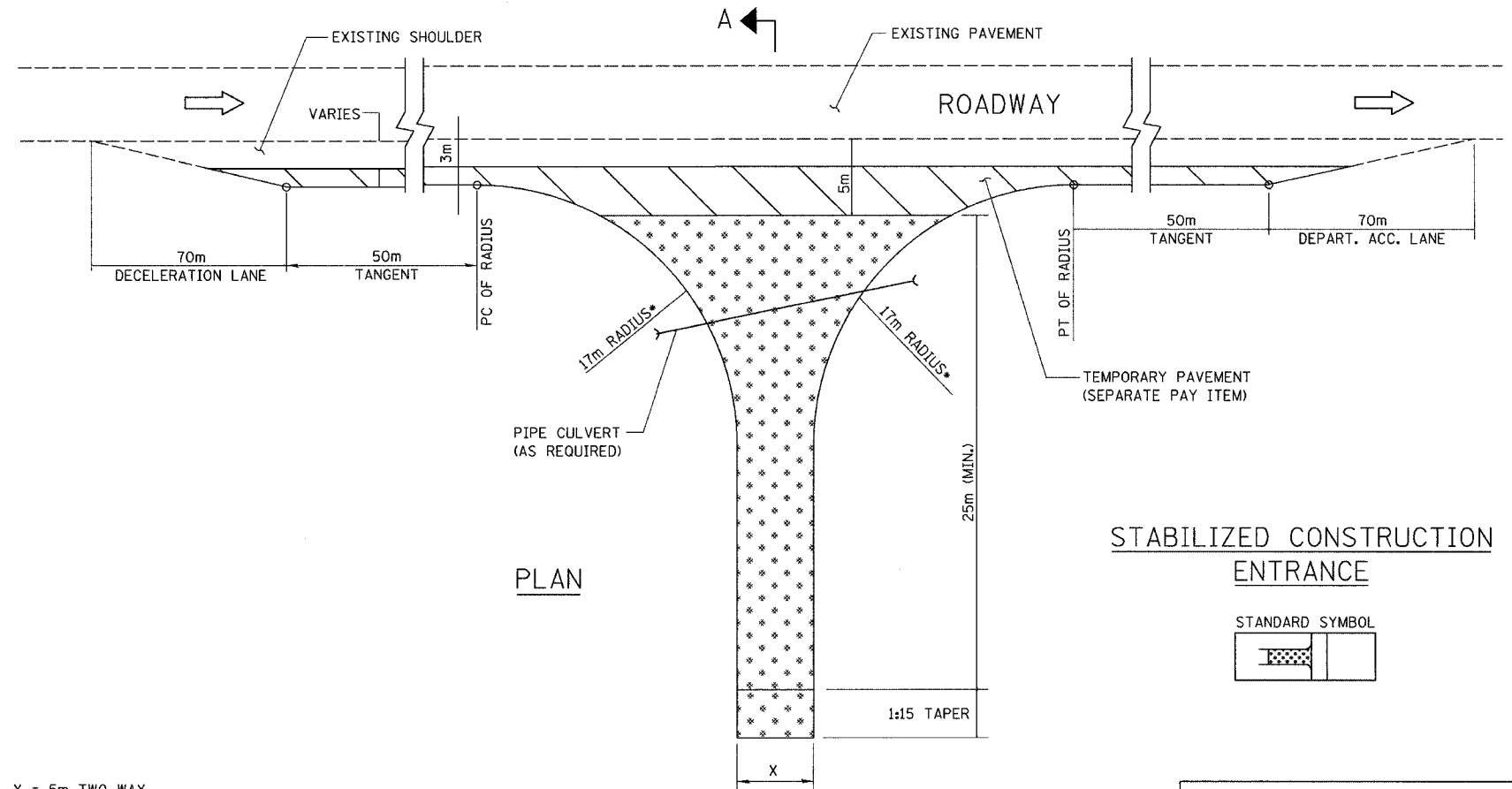
F.A.I. RTE.	SECTION	COUNTY	TOTAL SHEETS	SHEET NO.
80/94	2626.2-R-1	COOK	452	86
STA.	TO STA.			
FED. ROAD DIST. NO.	ILLINOIS	FED. AID PROJECT		
	CONTRACT NO. 62113	INDOT DES. NO. 0100987		



SECTION A-A

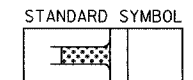
CONSTRUCTION SPECIFICATIONS AND NOTES

- STABILIZED CONSTRUCTION ENTRANCE
 - LENGTH - AS REQUIRED, BUT NOT LESS THAN 25 METERS.
 - THICKNESS - NOT LESS THAN 100mm, ABOVE TOP OF CELLULAR CONFINEMENT GRID.
- TEMPORARY PAVEMENT
 - PROVIDE A MINIMUM WIDTH OF 3.0m OF SHOULDER AND TEMPORARY PAVEMENT FOR DECELERATION/ACCELERATION LANE.
 - TEMPORARY PAVEMENT THICKNESS SHALL BE 255 mm. AND CONSIST OF: BITUMINOUS BASE COURSE, SUPERPAVE 210 mm BITUMINOUS CONCRETE SURFACE COURSE, SUPERPAVE, N50, MIX D 45 mm
 - A 2.0m, APRON SHALL BE PROVIDED IN ADDITION TO 3.0m WIDTH.
- ALL DIMENSIONS ARE IN METERS UNLESS OTHERWISE NOTED.
- STABILIZED CONSTRUCTION ENTRANCES SHALL NOT BE PLACED DIRECTLY ACROSS FROM EACH OTHER.
- EXISTING DITCH DRAINAGE TO BE MAINTAINED.
- GRADE FILL TO 1:10 ON APPROACH SIDE OF ENTRANCE
- FOR TRAFFIC CONTROL FOR STABILIZED CONSTRUCTION/EXIT DETAIL, SEE SHEET





PLAN

STABILIZED CONSTRUCTION ENTRANCE



LEGEND

-  TEMPORARY PAVEMENT
-  STABILIZED AGGREGATE DRIVEWAY

X = 5m TWO WAY
3.6m ONE WAY

- ON ONE WAY STABILIZED CONSTRUCTION ENTRANCES THE MAJOR MOVEMENT RADIUS SHALL BE 17 METERS. THE MINOR RADIUS AS CALLED OUT ON THE PLAN BUT NOT LESS THAN 3m ALSO THE UNNECESSARY TAPER AND TANGENT WILL NOT BE BUILT.

REVISIONS	
NAME	DATE

ILLINOIS DEPARTMENT OF TRANSPORTATION
I-80/94/US 6
KINGERY-BORMAN EXPRESSWAY
BURNHAM ROAD TO US 41
**EROSION AND SEDIMENT CONTROLS
STABILIZED CONSTRUCTION ENTRANCE**

SCALE NTS
DATE 07/04
DRAWN BY JD
CHECKED BY

