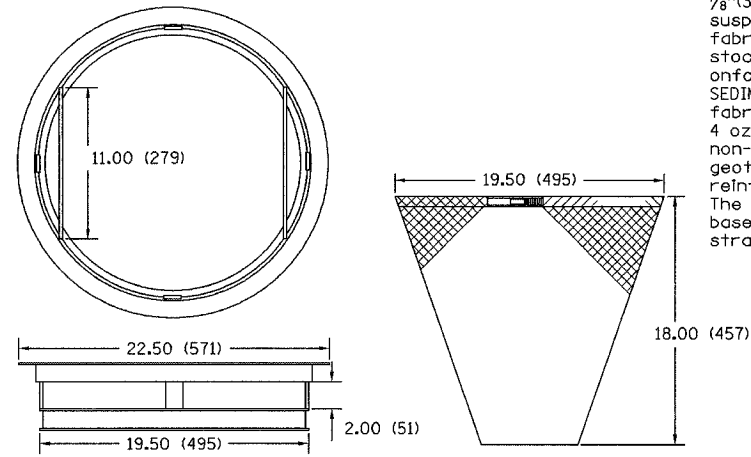


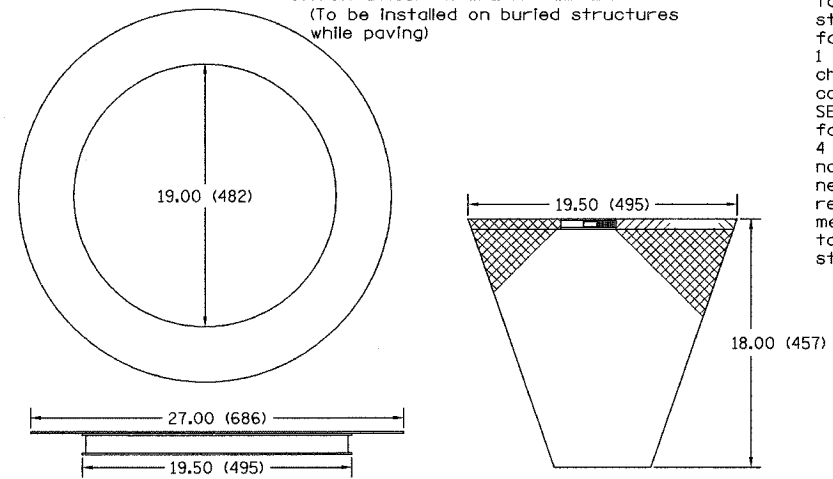
F.A.I. RTE.	SECTION	COUNTY	TOTAL SHEETS	SHEET NO.
80/94	2626.2-R-1	COOK	452	87
STA.	TO STA.			
FED. ROAD DIST. NO.	ILLINOIS	FED. AID PROJECT		
CONTRACT NO. 62113	INDOT DES. NO. 0100987			

TYPE I INLET FILTER



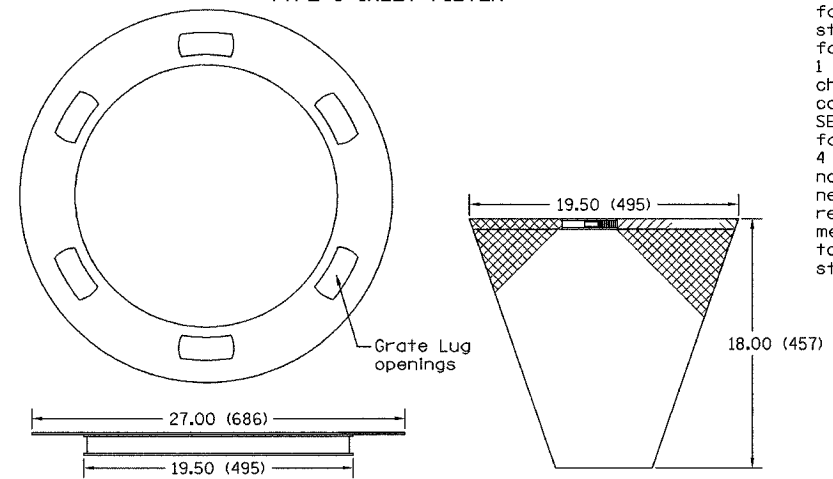
NOTES:
 FRAME: Top ring shall be fabricated from 1 1/4"(31.7) x 1 1/4"(31.7) x 1/8"(3.1) angle. Base ring shall be fabricated from 1 1/2"(38.1) x 1/2"(12.7) x 1/8"(3.1) channel. Handles and suspension brackets shall be fabricated from 1 1/4"(31.7) x 1/4"(6.3) flat stock. Domestic steel conforming to ASTM-A36.
 SEDIMENT BAG: Shall be fabricated from 4 oz./sq. yd.(0.142 L/SQ M) non-woven polypropylene geotextile and shall be reinforced with polyester mesh. The bag shall be secured to the base ring with a stainless steel strap and lock.

CATCH BASIN & INLET FILTER
 (To be installed on buried structures while paving)



NOTES:
 FRAME: Flange shall be fabricated from 1/8"(3.1) flat stock. Base ring shall be fabricated from 1 1/2"(38.1) x 1/2"(12.7) x 1/8"(3.1) channel. Domestic steel conforming to ASTM-A36.
 SEDIMENT BAG: Shall be fabricated from 4 oz./sq. yd.(0.142 L/SQ M) non-woven polypropylene geotextile and shall be reinforced with polyester mesh. The bag shall be secured to the base ring with a stainless steel strap and lock.

TYPE 8 INLET FILTER



NOTES:
 FRAME: Flange shall be fabricated from 1/8"(3.1) flat stock. Base ring shall be fabricated from 1 1/2"(38.1) x 1/2"(12.7) x 1/8"(3.1) channel. Domestic steel conforming to ASTM-A36.
 SEDIMENT BAG: Shall be fabricated from 4 oz./sq. yd.(0.142 L/SQ M) non-woven polypropylene geotextile and shall be reinforced with polyester mesh. The bag shall be secured to the base ring with a stainless steel strap and lock.

NOTE: ALL UNITS ARE IN INCHES (MILLIMETERS) UNLESS OTHERWISE NOTED

REVISIONS		ILLINOIS DEPARTMENT OF TRANSPORTATION
NAME	DATE	
		INLET FILTER DETAILS SCALE NONE DATE _____ DRAWN BY _____ CHECKED BY _____