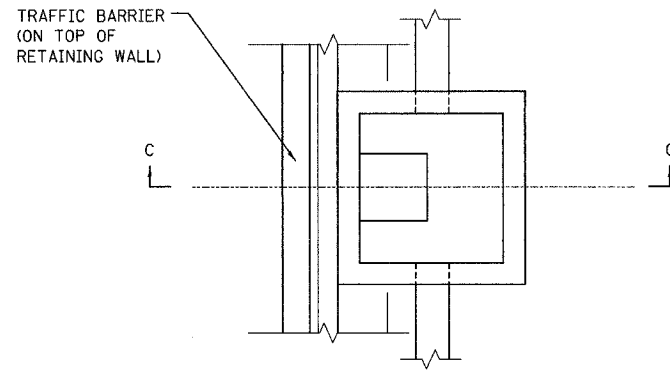
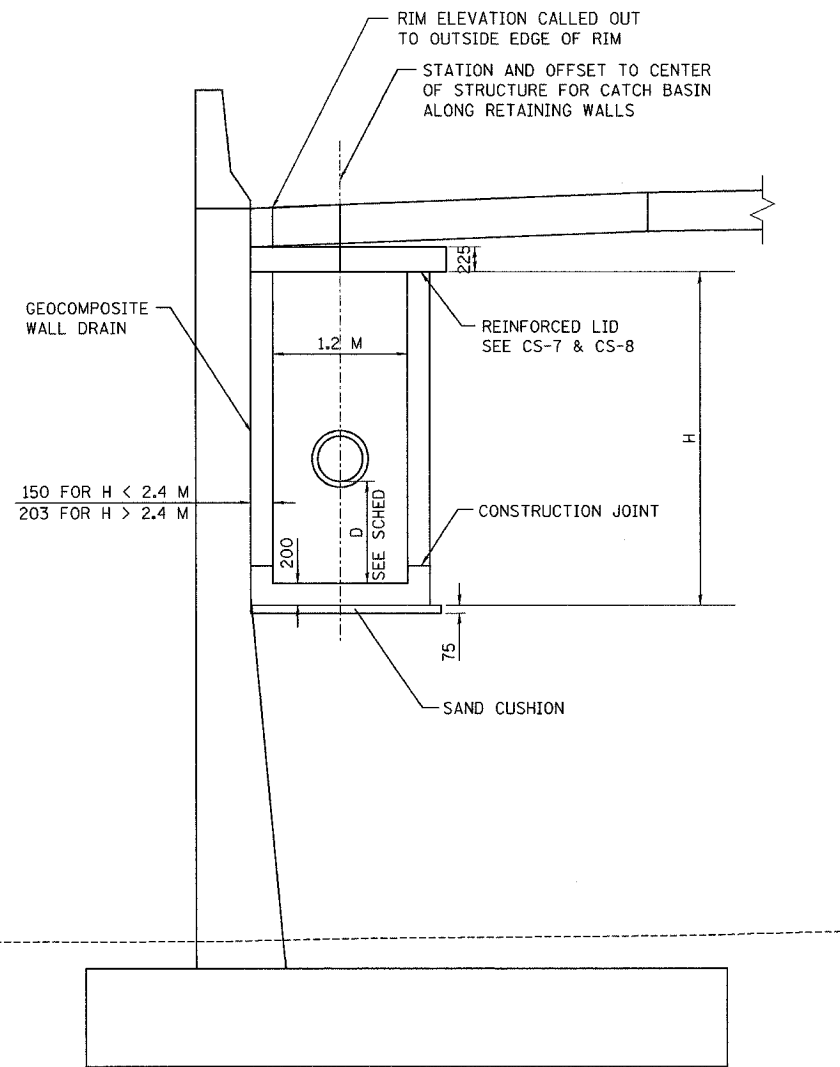


ALL DIMENSIONS IN METERS EXCEPT PAY ITEMS AND UNLESS NOTED OTHERWISE

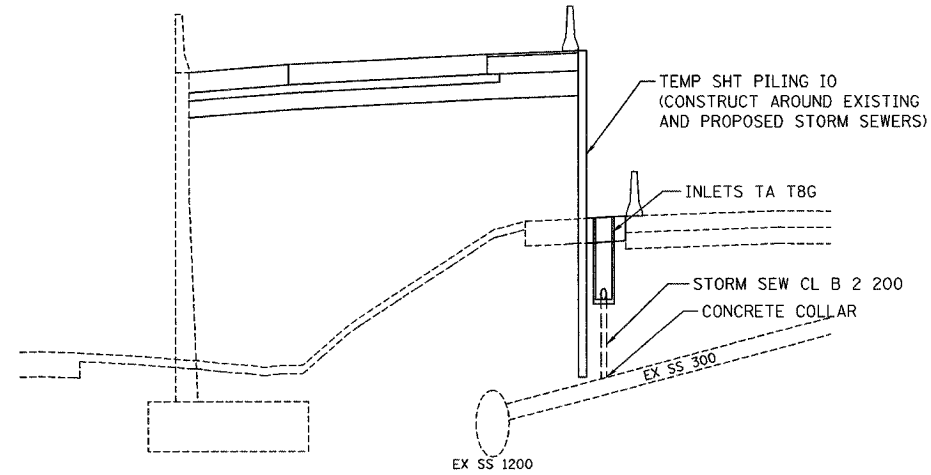
F.A.I. RTE.	SECTION	COUNTY	TOTAL SHEETS	SHEET NO.
80/94	2626.2-R-1	COOK	452	107
STA.		TO STA.		
FED. ROAD DIST. NO.		ILLINOIS FED. AID PROJECT		
CONTRACT NO. 62113		INDOT DES. NO. 0100987		



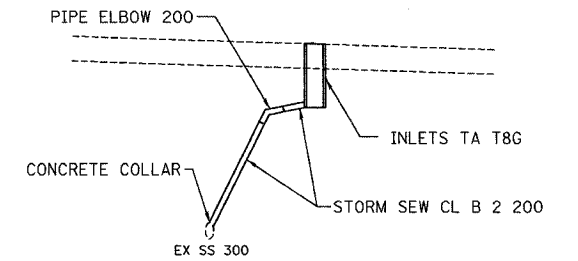
PLAN VIEW - CB 1.2X0.9 SPL T20F&G



SECTION C-C  
ELEVATION VIEW - CB 1.2X0.9 SPL T20F&G

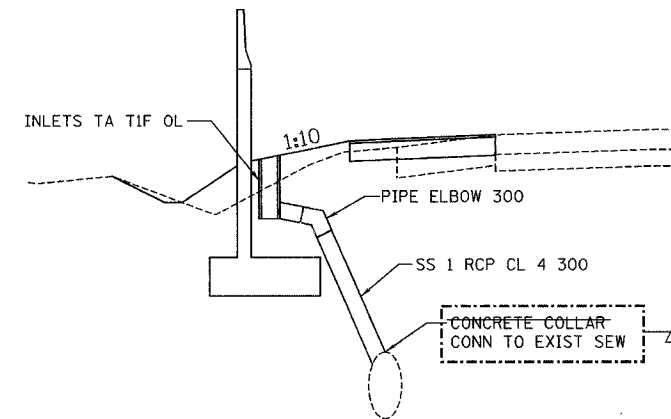


SECTION VIEW



ELEVATION VIEW

DETAIL A  
TEMPORARY DRAINAGE  
STA 6+900 TO STA 7+275



SECTION VIEW

DETAIL B  
TEMPORARY DRAINAGE  
STA 7+600 TO STA 7+900

REVISIONS	
NAME	DATE
REV. JBS	10/15/04

ILLINOIS DEPARTMENT OF TRANSPORTATION  
I-80/94/US 6  
KINGERY-BORMAN EXPRESSWAY  
BURNHAM ROAD TO US 41

**DRAINAGE DETAILS**

SCALE NONE DRAWN BY ACE/CAD  
DATE 07/04 CHECKED BY TAE

