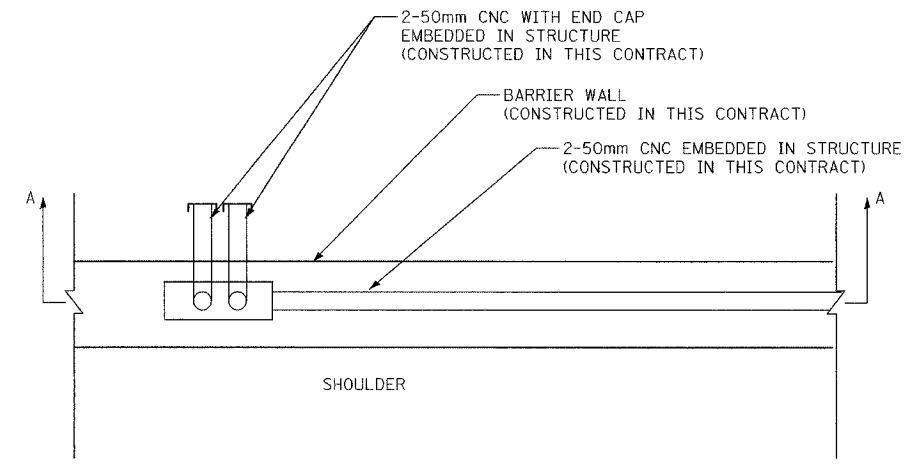
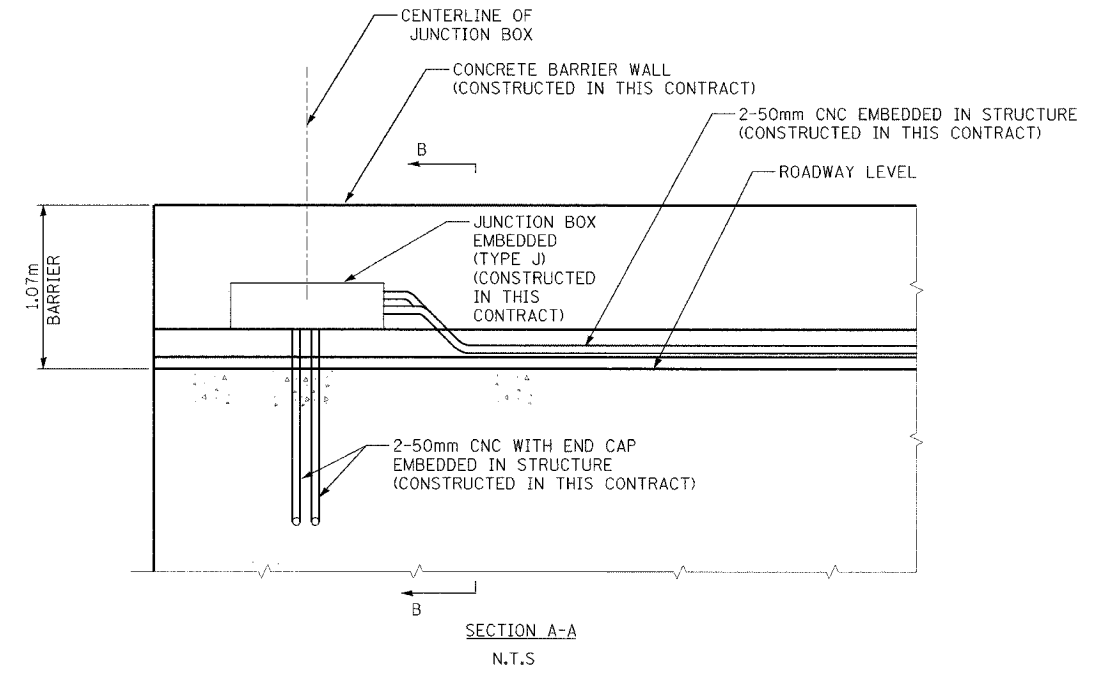


ALL DIMENSIONS IN METERS EXCEPT PAY ITEMS AND UNLESS NOTED OTHERWISE.

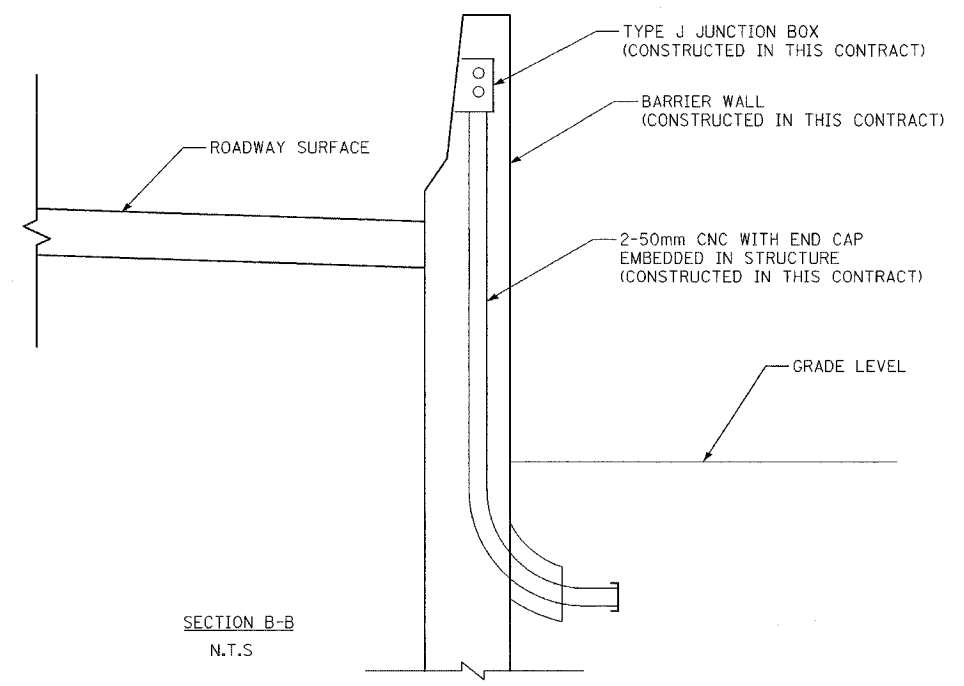
F.A.I. RTE.	SECTION	COUNTY	TOTAL SHEETS	SHEET NO.
80/94	2626.2-R-1	COOK	452	144
STA.	TO STA.			
FED. ROAD DIST. NO.	ILLINOIS	FED. AID PROJECT		
		CONTRACT #62113		



DETAIL 6  
I-80, STATION 7+615 AND 7+620 N.T.S  
ELEVATION VIEW



**NOTE:**  
HANDHOLES AND CONDUITS IN DUCT BANKS UNDER PAVEMENT OR IN TRENCH CONSTRUCTED IN CONTRACT 62664. CONDUITS AND JUNCTION BOXES IN BARRIER WALL CONSTRUCTED IN THIS CONTRACT.



SECTION B-B  
N.T.S

REVISIONS	
NAME	DATE

ILLINOIS DEPARTMENT OF TRANSPORTATION  
I-80/94/US 6  
KINGERY-BORMAN EXPRESSWAY  
BURNHAM ROAD TO US 41  
**ELECTICAL INSTALLATION DETAIL**  
**CONDUIT AND JUNCTION BOX ARRANGEMENT**  
**STA. 7+615 AND 7+620**  
SCALE N.T.S  
DATE 07/04  
DRAWN BY JRH/MAP  
CHECKED BY DEM/CMW

