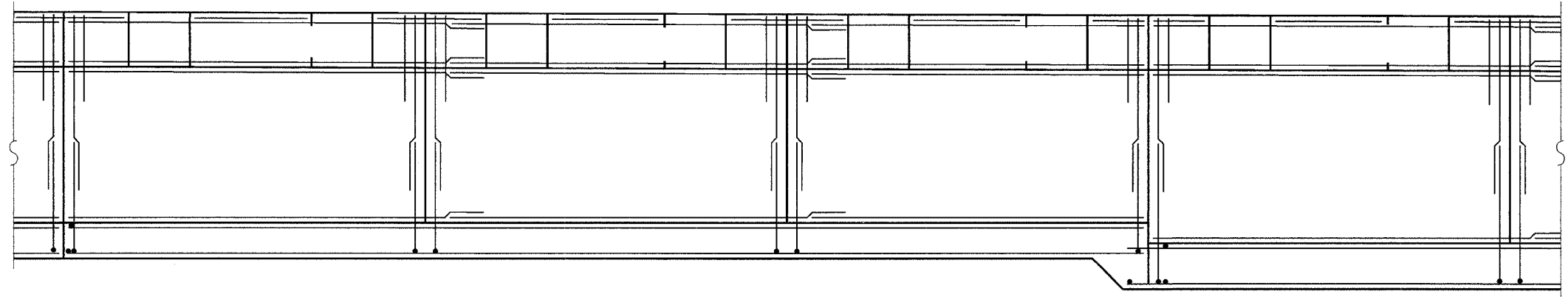
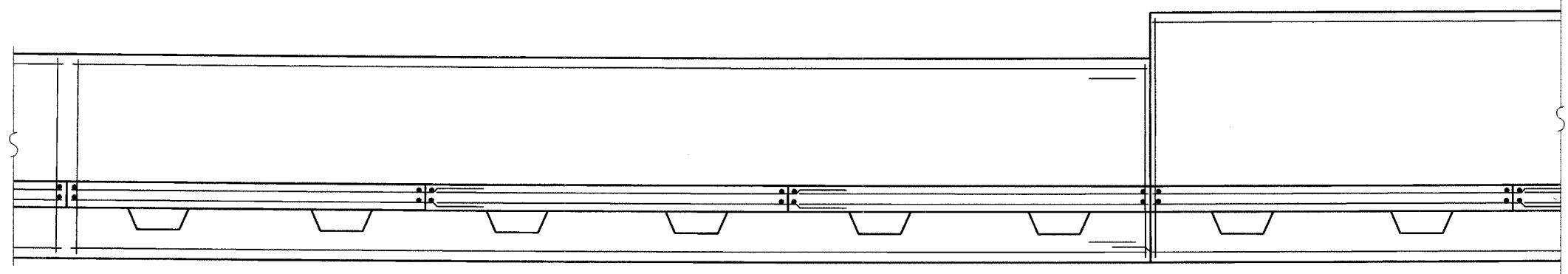


ROUTE NO.	SECTION	COUNTY	TOTAL SHEETS	SHEET NO.	SHEET NO. S-4 20 SHEETS
F.A.S. 88-74	2626.2-R-1	COOK	452	148A	
ILLINOIS		FED. AID PROJECT-			

CONTRACT NO. 62113 INDOT DES. NO. 0100987



ELEVATION



FOOTING PLAN

DESIGNED	MJW
CHECKED	KFA
DRAWN	MJB
CHECKED	GSP

FOR INFORMATION ONLY

ILLINOIS DEPARTMENT OF TRANSPORTATION
 I-80/94/US 6
 KINGERY-BORMAN EXPRESSWAY
 BURNHAM ROAD TO US 41

PLAN AND ELEVATION (2 OF 13)
SECTION 2626.2-R-1
COOK COUNTY
STATION 7+609.549 TO STATION 7+893.827
STRUCTURE NO. 016-W856

DATE 07/04

AMERICAN
 CONSULTING ENGINEERS

11/15/04 10:00 AM