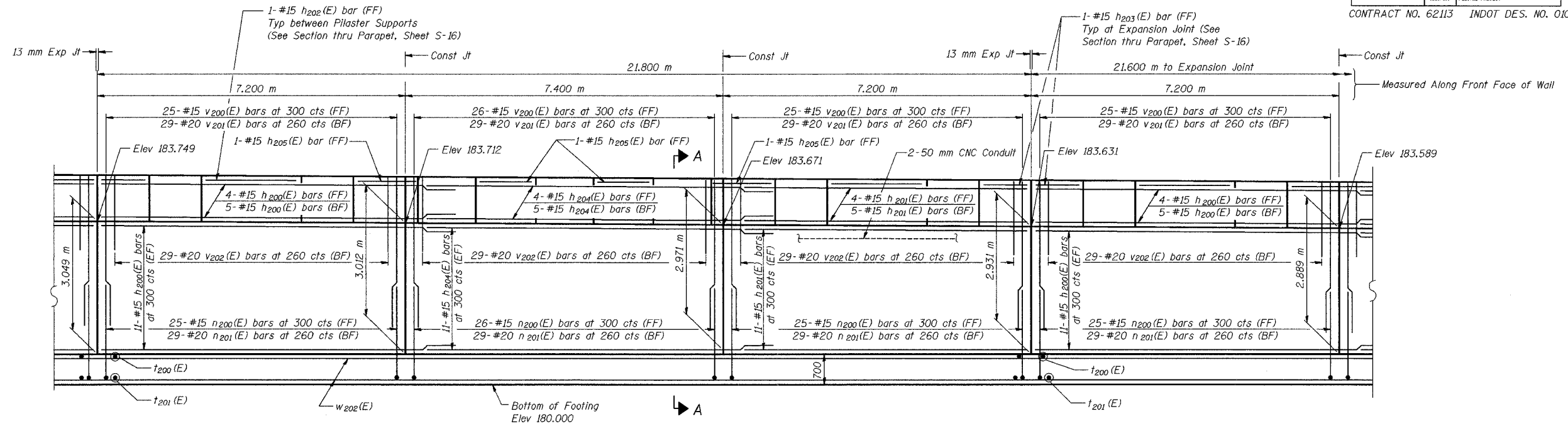
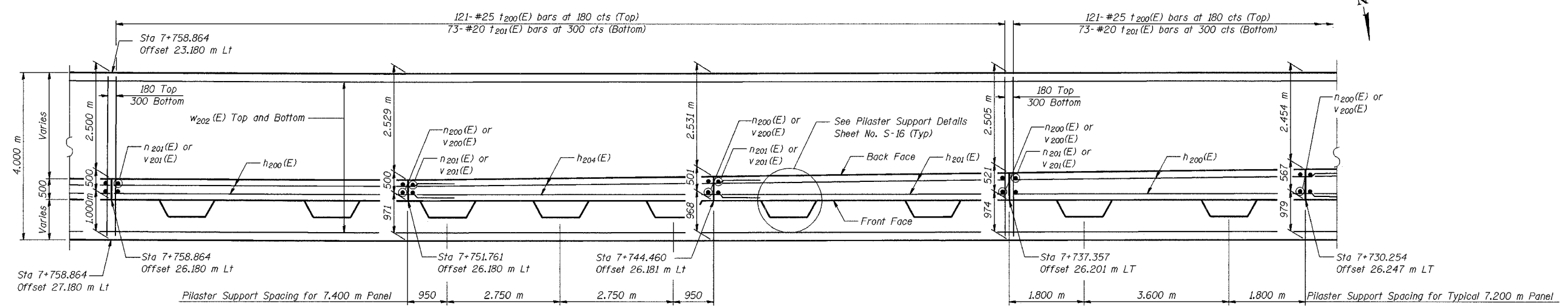


ROUTE NO.	SECTION	COUNTY	SHEET NO.	SHEET TOTAL
I-80/94	2626.2-R-1	COOK	452	154
SHEET NO. S-10 20 SHEETS				

CONTRACT NO. 62113 INDOT DES. NO. 0100987



**ELEVATION**



**FOOTING PLAN**

**NOTES:**  
 See Sheet S-16 for Section A-A, Expansion Joint Detail, and Bill of Material.  
 See Sheet S-17 for Rustication details.  
 Stations are referenced to  $\odot$  I-80/94.  
 Reinforcement bars designated (E) shall be epoxy coated.  
 All dimensions are in millimeters (mm) except as noted.  
 See Electrical Drawings for Junction Box and Conduit Details.

DESIGNED	MJW
CHECKED	KFA
DRAWN	MJB
CHECKED	GSP

**MINIMUM BAR LAPS**  
 #15 bars = 640  
 #20 bars = 790

**LEGEND**  
 BF = Back Face  
 FF = Front Face  
 EF = Each Face

ILLINOIS DEPARTMENT OF TRANSPORTATION  
 I-80/94/US 6  
 KINGERY-BORMAN EXPRESSWAY  
 BURNHAM ROAD TO US 41  
**PLAN AND ELEVATION ( 8 OF 13 )**  
**SECTION 2626.2-R-1**  
**COOK COUNTY**  
**STATION 7+609.549 TO STATION 7+893.827**  
**STRUCTURE NO. 016-W856**  
 DATE 07/04  
**AMERICAN**  
 CONSULTING ENGINEERS