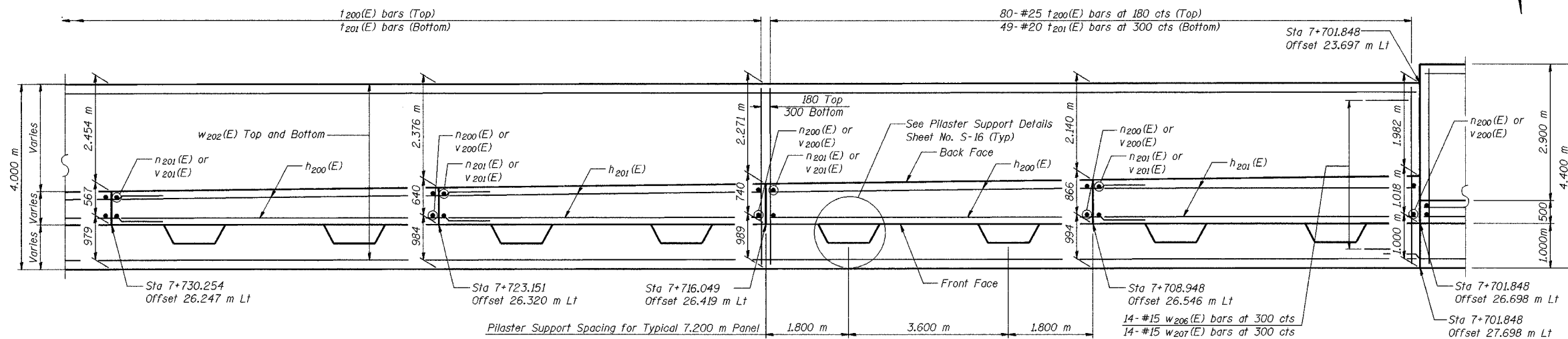
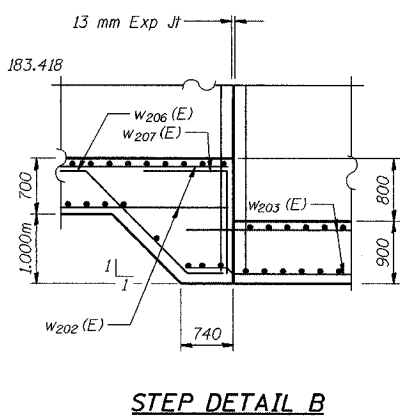
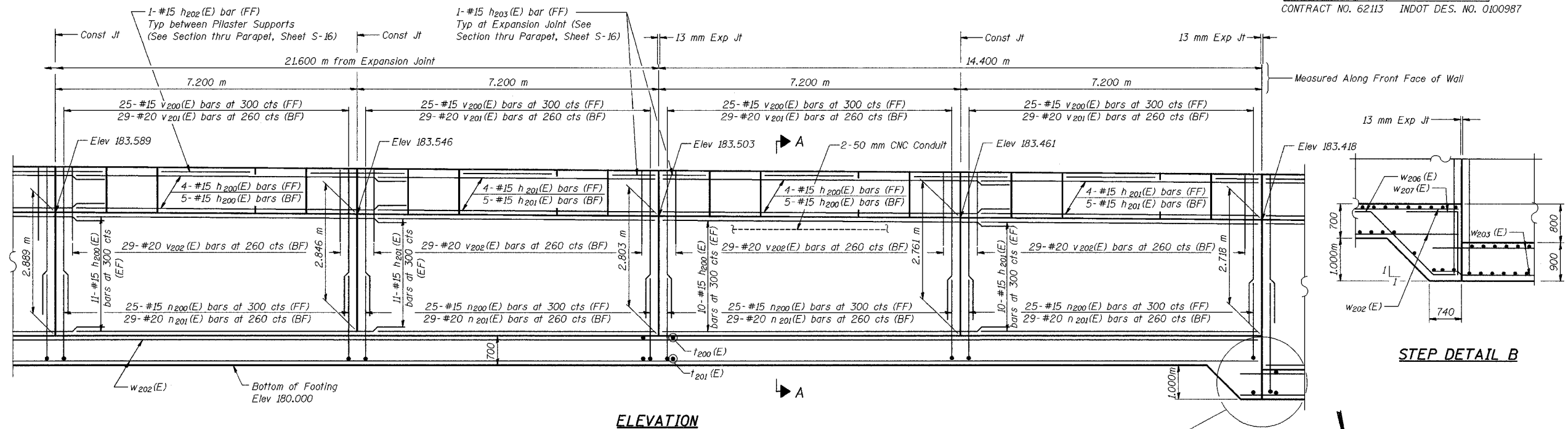


ROUTE NO.	SECTION	COUNTY	SHEET	SHEET	SHEET
2626.2-R-1	2626.2-R-1	COOK	452	155	20 SHEETS
ILLINOIS INDIAN PROJECT					

CONTRACT NO. 62113 INDOT DES. NO. 0100987



NOTES:

See Sheet S-16 for Section A-A, Expansion Joint Detail, and Bill of Material.

See Sheet S-17 for Rustication details.

Stations are referenced to \odot I-80/94.

Reinforcement bars designated (E) shall be epoxy coated.

All dimensions are in millimeters (mm) except as noted.

See Electrical Drawings for Junction Box and Conduit Details.

DESIGNED	MJW
CHECKED	KFA
DRAWN	MJB
CHECKED	GSP

MINIMUM BAR LAPS

#15 bars = 640

#20 bars = 790

LEGEND

BF = Back Face

FF = Front Face

EF = Each Face

ILLINOIS DEPARTMENT OF TRANSPORTATION
I-80/94/US 6
KINGERY-BORMAN EXPRESSWAY
BURNHAM ROAD TO US 41

PLAN AND ELEVATION (9 OF 13)
SECTION 2626.2-R-1
COOK COUNTY
STATION 7+609.549 TO STATION 7+893.827
STRUCTURE NO. 016-W856

DATE 07/04

AMERICAN
CONSULTING ENGINEERS