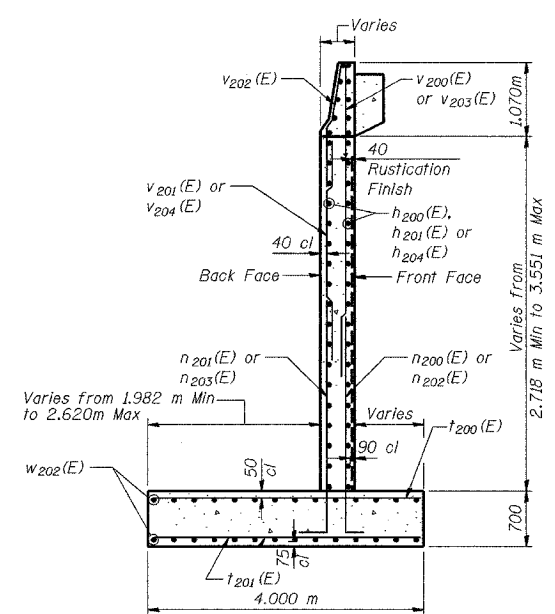
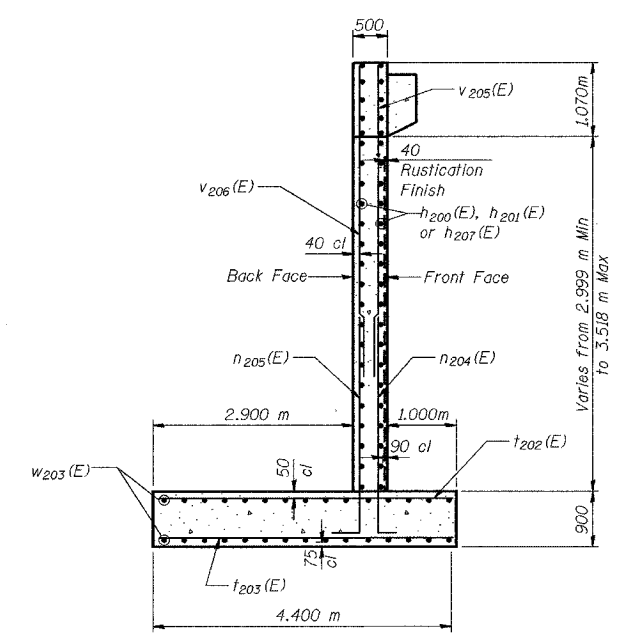


CONTRACT NO. 62113 INDOT DES. NO. 0100987  
BILL OF MATERIAL

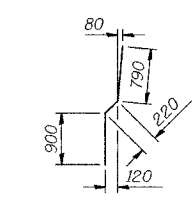
Bar	No.	Size	Length (m)	Shape
h200(E)	790	#15	7.84	
h201(E)	464	#15	7.10	
h202(E)	60	#15	2.30	
h203(E)	29	#15	1.10	
h204(E)	31	#15	8.04	
h205(E)	4	#15	1.45	
h206(E)	3	#15	1.56	
h207(E)	31	#15	7.28	
h208(E)	220	#20	2.86	
h209(E)	4	#20	2.93	
h210(E)	108	#20	3.38	
h211(E)	16	#15	0.60	
n200(E)	201	#15	2.10	
n201(E)	232	#20	2.16	
n202(E)	475	#15	2.76	
n203(E)	475	#25	2.90	
n204(E)	326	#15	2.80	
n205(E)	391	#25	2.94	
t200(E)	1088	#25	3.90	
t201(E)	657	#20	3.90	
t202(E)	591	#25	4.30	
t203(E)	317	#20	4.30	
v200(E)	201	#15	3.51	
v201(E)	232	#20	2.59	
v202(E)	707	#20	1.91	
v203(E)	475	#15	3.39	
v204(E)	475	#20	2.47	
v205(E)	326	#15	3.47	
v206(E)	391	#20	3.62	
v207(E)	492	#20	2.39	
w202(E)	644	#15	9.11	
w203(E)	352	#15	9.16	
w206(E)	14	#15	3.49	
w207(E)	14	#15	3.12	



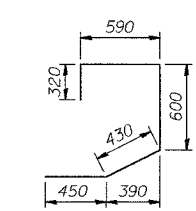
SECTION A-A



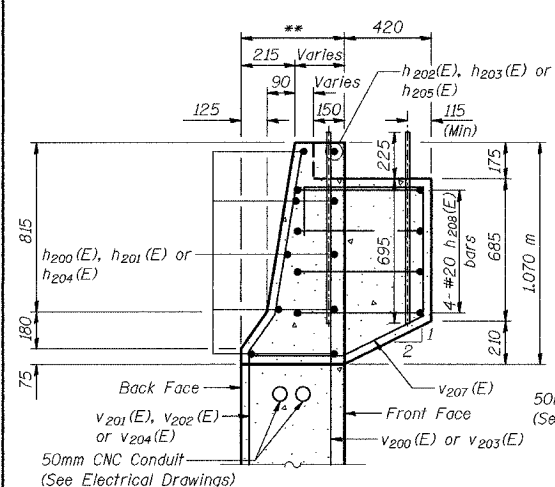
SECTION D-D



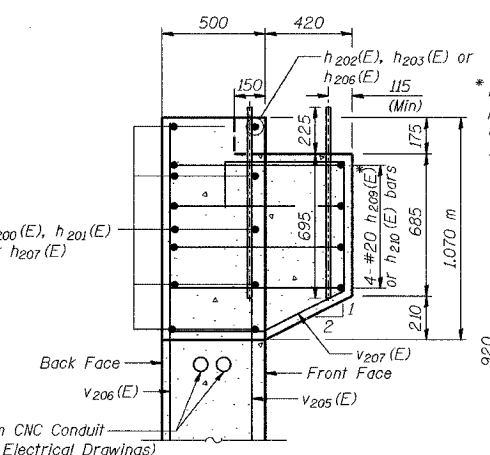
BARS v202(E)



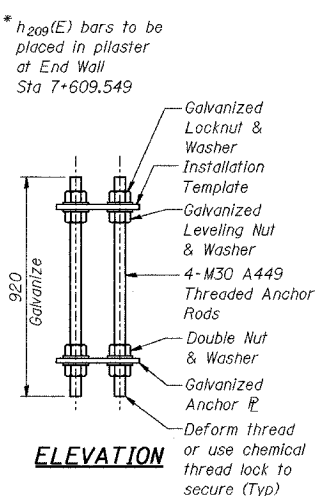
BAR v207(E)



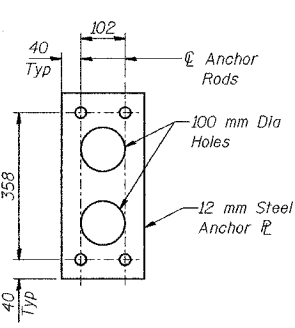
SECTION THRU PARAPET



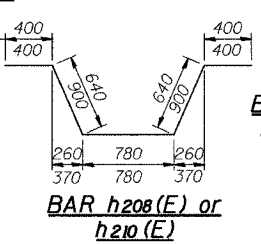
SECTION THRU EXTENSION FOR GATEWAY



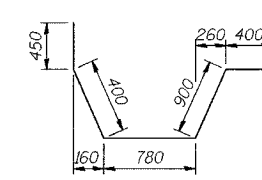
ELEVATION



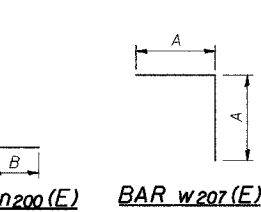
PLAN



BAR h208(E) or h210(E)

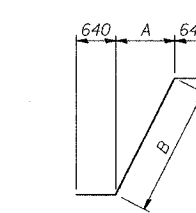


BAR h209(E)



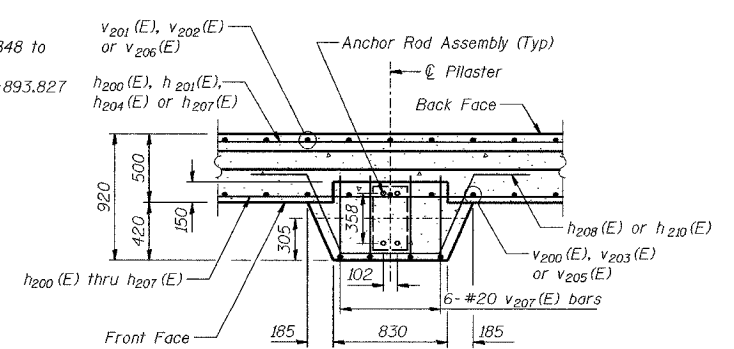
BARS n200(E) thru n205(E)

BAR w207(E)

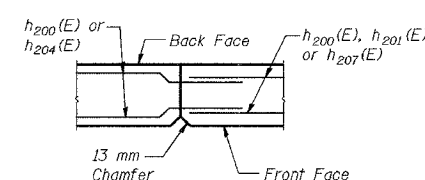


BAR w206(E)

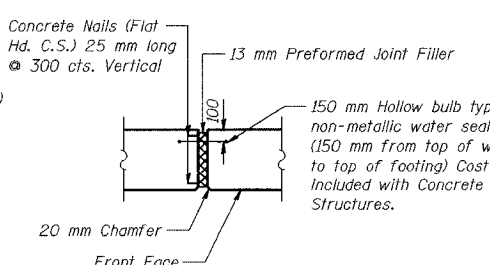
\*\* Varies 1.018 m Max at Sta 7+701.848 to 500 Min at Sta 7+751.761. 500 from Sta 7+751.761 to Sta 7+893.827



PILASTER SUPPORT - PLAN VIEW



CONSTRUCTION JOINT DETAIL



13 MM EXPANSION JOINT DETAIL

DESIGNED	MJW
CHECKED	KFA
DRAWN	MJB
CHECKED	GSP

BAR DIMENSIONS

Bar	A	B
n200(E)	1.84 m	260
n201(E)	1.84 m	320
n202(E)	2.50 m	260
n203(E)	2.50 m	400
n204(E)	2.54 m	260
n205(E)	2.54 m	400
w206(E)	1.56 m	2.21 m
w207(E)	1.56 m	-

NOTES:

- See Sheet S-17 for Rustication details.
- Reinforcement bars designated (E) shall be epoxy coated.
- All dimensions are in millimeters (mm) except as noted.
- See Typical Section on Sheet S-2 for Drainage Details and Protective Coat Limits.

ILLINOIS DEPARTMENT OF TRANSPORTATION  
I-80/94/US 6  
KINGERY-BORNAM EXPRESSWAY  
BURNHAM ROAD TO US 41  
WALL SECTIONS AND DETAILS  
SECTION 262.2-R-1  
COOK COUNTY  
STATION 7+609.549 TO STATION 7+893.827  
STRUCTURE NO. 016-W856  
DATE 07/04  
**AMERICAN**  
CONSULTING ENGINEERS