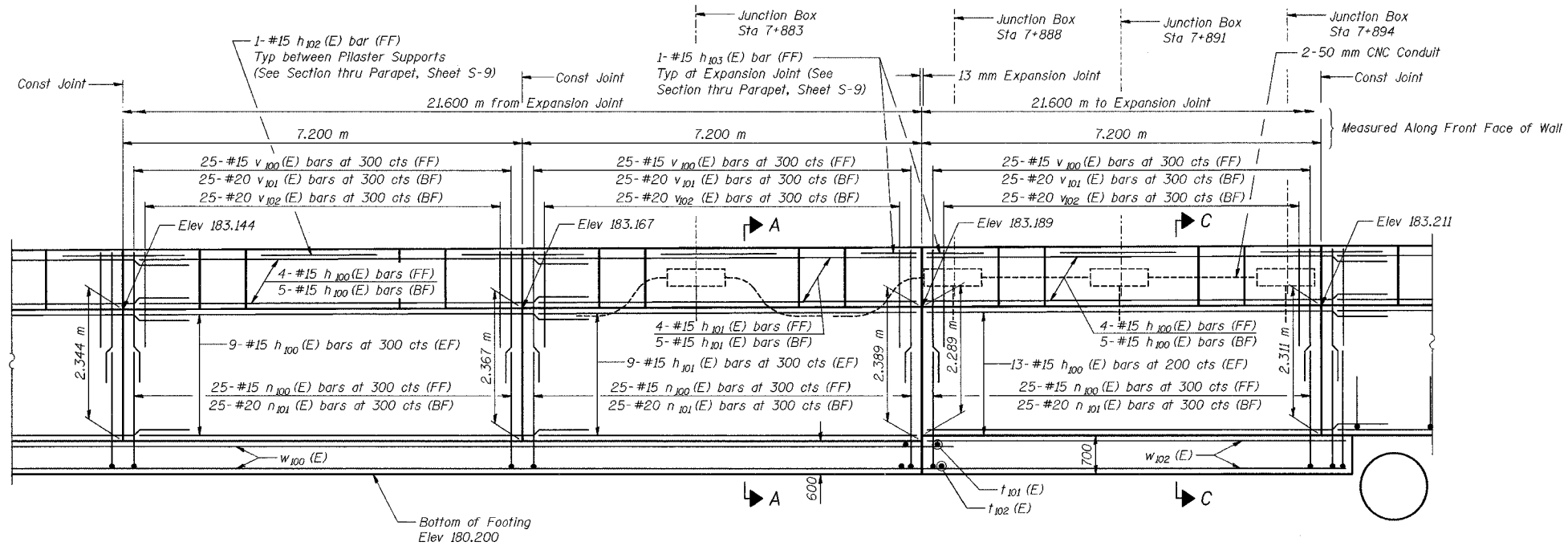
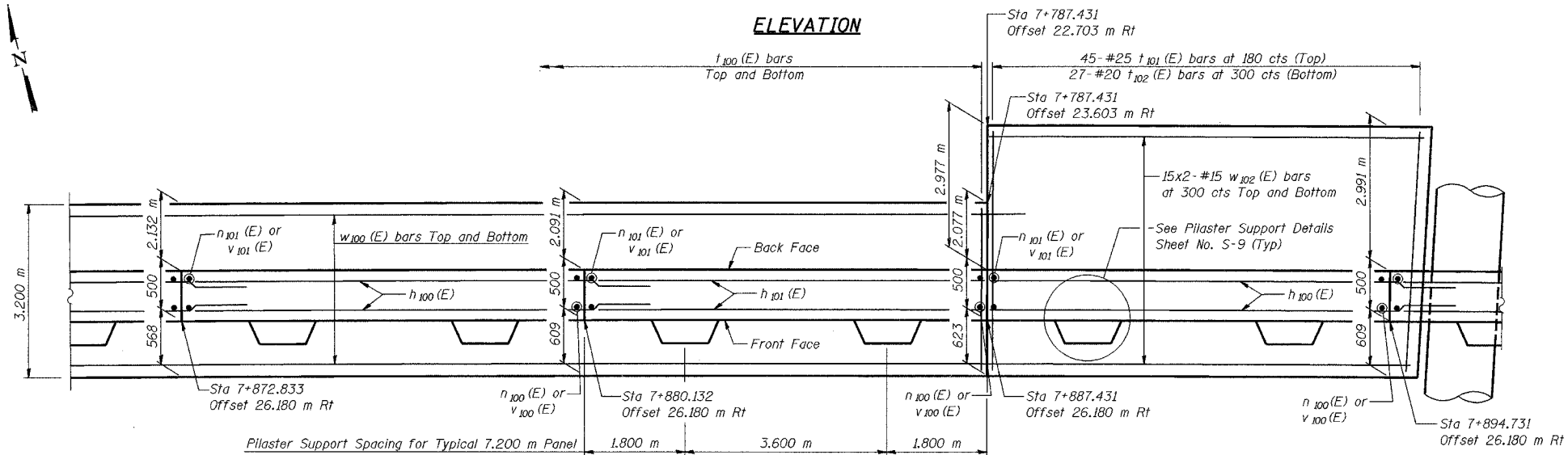


ROUTE NO.	SECTION	COUNTY	SHEETS	SHEET	SHEET NO. S-5
66/74	2626.2-R-1	COOK	452	169	12 SHEETS
CONTRACT NO. 62113		INDOT DES. NO. 0100987			



ELEVATION



FOOTING PLAN

NOTES:

See Sheet S-9 for Section A-A, Section C-C, Expansion Joint Detail, and Bill of Material.
 See Sheet S-10 for Rustication details.
 Stations are referenced to \odot I-80/94.
 Reinforcement bars designated (E) shall be epoxy coated.
 All dimensions are in millimeters (mm) except as noted.
 Bars indicated thus 20 x 3-#15 etc. indicates 20 lines of bars with 3 lengths per line.
 See Electrical Drawings for Junction Box and Conduit Details.

DESIGNED	MJW
CHECKED	KFA
DRAWN	MJB
CHECKED	GSP

MINIMUM BAR LAPS

#15 bars = 640
 #20 bars = 790

LEGEND

BF = Back Face
 FF = Front Face
 EF = Each Face

ILLINOIS DEPARTMENT OF TRANSPORTATION
 I-80/94/US 6
 KINGERY-BORMAN EXPRESSWAY
 BURNHAM ROAD TO US 41
PLAN AND ELEVATION (3 OF 6)
SECTION 2626.2-R-1
COOK COUNTY
STATION 7+821.737 TO STATION 7+960.424
STRUCTURE NO. 016-W855
 DATE 07/04
AMERICAN
 CONSULTING ENGINEERS