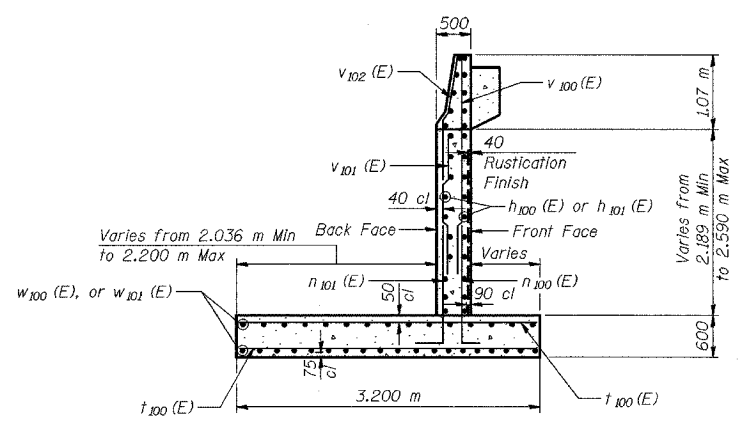


ROUTE NO.	SECTION	COUNTY	SHEET	SET	SHEET NO. S-9
F.A.L.	2626.2-R-1	COOK	452	173	12 SHEETS
ILLINOIS					FED. AID PROJECT

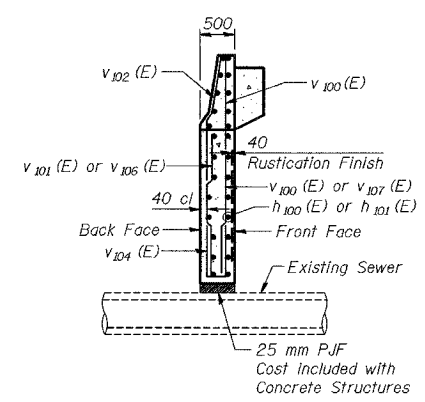
CONTRACT NO. 62113 INDOT DES. NO. 0100987

**BILL OF MATERIAL**

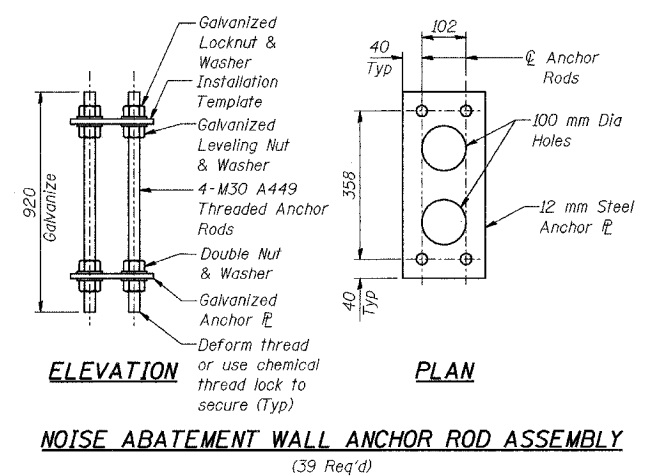
Bar	No.	Size	Length (m)	Shape
h <sub>100</sub> (E)	340	#15	7.84	—
h <sub>101</sub> (E)	211	#15	7.10	—
h <sub>102</sub> (E)	29	#15	2.30	—
h <sub>103</sub> (E)	13	#15	1.10	—
h <sub>104</sub> (E)	3	#15	1.50	—
h <sub>105</sub> (E)	152	#20	2.86	—
h <sub>106</sub> (E)	4	#20	2.74	—
h <sub>107</sub> (E)	8	#15	2.40	—
n <sub>100</sub> (E)	463	#15	2.16	—
n <sub>101</sub> (E)	463	#20	2.22	—
t <sub>100</sub> (E)	1062	#20	3.10	—
t <sub>101</sub> (E)	75	#25	4.00	—
t <sub>102</sub> (E)	45	#20	4.00	—
t <sub>103</sub> (E)	41	#25	3.90	—
t <sub>104</sub> (E)	24	#20	3.90	—
v <sub>100</sub> (E)	469	#15	2.98	—
v <sub>101</sub> (E)	469	#20	1.98	—
v <sub>102</sub> (E)	475	#20	1.91	—
v <sub>103</sub> (E)	234	#20	2.39	—
v <sub>104</sub> (E)	12	#20	2.94	—
v <sub>105</sub> (E)	25	#20	0.87	—
v <sub>106</sub> (E)	6	#15	2.28	—
v <sub>107</sub> (E)	6	#20	1.28	—
w <sub>100</sub> (E)	192	#15	8.75	—
w <sub>101</sub> (E)	144	#15	9.18	—
w <sub>102</sub> (E)	60	#15	4.24	—
w <sub>103</sub> (E)	60	#15	2.87	—
w <sub>104</sub> (E)	32	#15	5.65	—
Structure Excavation		m <sup>3</sup>	1,284	
Concrete Structures		m <sup>3</sup>	498.6	
Protective Coat		m <sup>2</sup>	208	
Reinforcement Bars, Epoxy Coated		kg	35,620	
Geocomposite Wall Drain		m <sup>2</sup>	258	
Pipe Underdrains for Structures 150 mm		m	145.0	
Noise Abatement Wall Anchor Rod Assembly		Each	39	



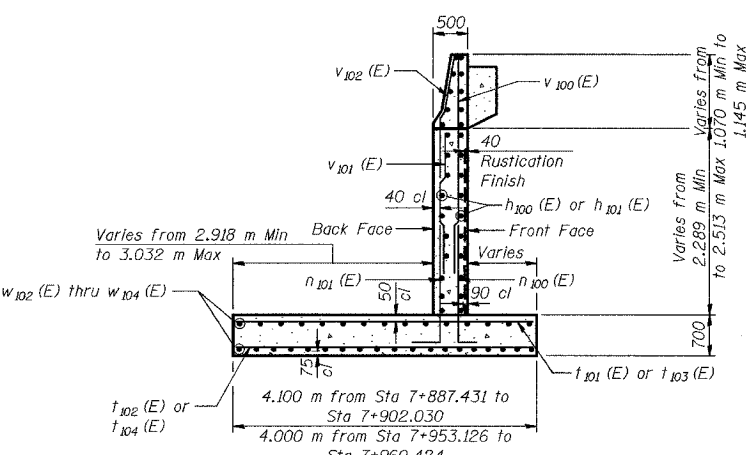
**SECTION A-A**



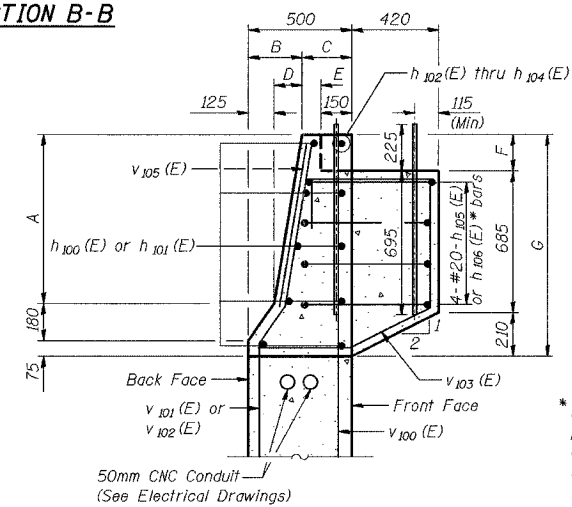
**SECTION B-B**



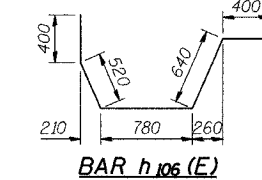
**NOISE ABATEMENT WALL ANCHOR ROD ASSEMBLY**  
(39 Req'd)



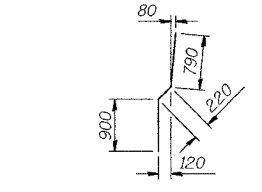
**SECTION C-C**



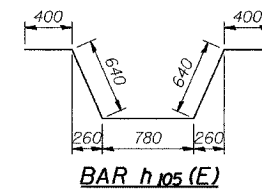
**SECTION THRU PARAPET**



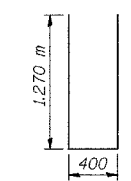
**BAR h<sub>106</sub>(E)**



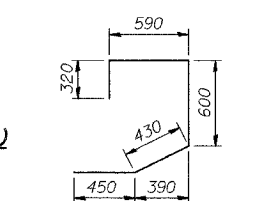
**BARS v<sub>102</sub>(E)**



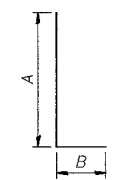
**BAR h<sub>105</sub>(E)**



**BARS v<sub>104</sub>(E)**



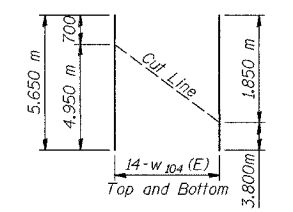
**BAR v<sub>103</sub>(E)**



**BARS n<sub>100</sub>(E) and n<sub>101</sub>(E)**

**BAR DIMENSIONS**

Bar	A	B
n <sub>100</sub> (E)	1.90 m	260
n <sub>101</sub> (E)	1.90 m	320

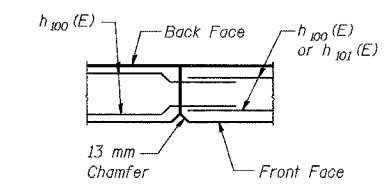


**\*\* FIELD CUTTING DIAGRAM**

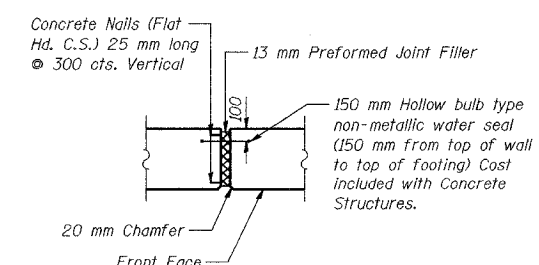
Order bars full length. Cut to fit as shown and place in footing on one side of pipe. Place remainder on other side of pipe.

DESIGNED	MJW
CHECKED	KFA
DRAWN	MJB
CHECKED	GSP

**TYPICAL PILASTER SUPPORT - PLAN VIEW**  
(39 Locations)



**CONSTRUCTION JOINT DETAIL**



**13 MM EXPANSION JOINT DETAIL**

**NOTES:**  
See Sheet S-10 for Rustication details.  
Reinforcement bars designated (E) shall be epoxy coated.  
All dimensions are in millimeters (mm) except as noted.  
See Typical Section on S-2 for Drainage Details and Protective Coat Limits.

ILLINOIS DEPARTMENT OF TRANSPORTATION  
I-80/94/US 6  
KINGERY-BORMAN EXPRESSWAY  
BURNHAM ROAD TO US 41

**WALL SECTIONS AND DETAILS**  
SECTION 2626.2-R-1  
COOK COUNTY  
STATION 7+821.737 TO STATION 7+960.424  
STRUCTURE NO. 016-W855  
DATE 07/04

**AMERICAN**  
CONSULTING ENGINEERS