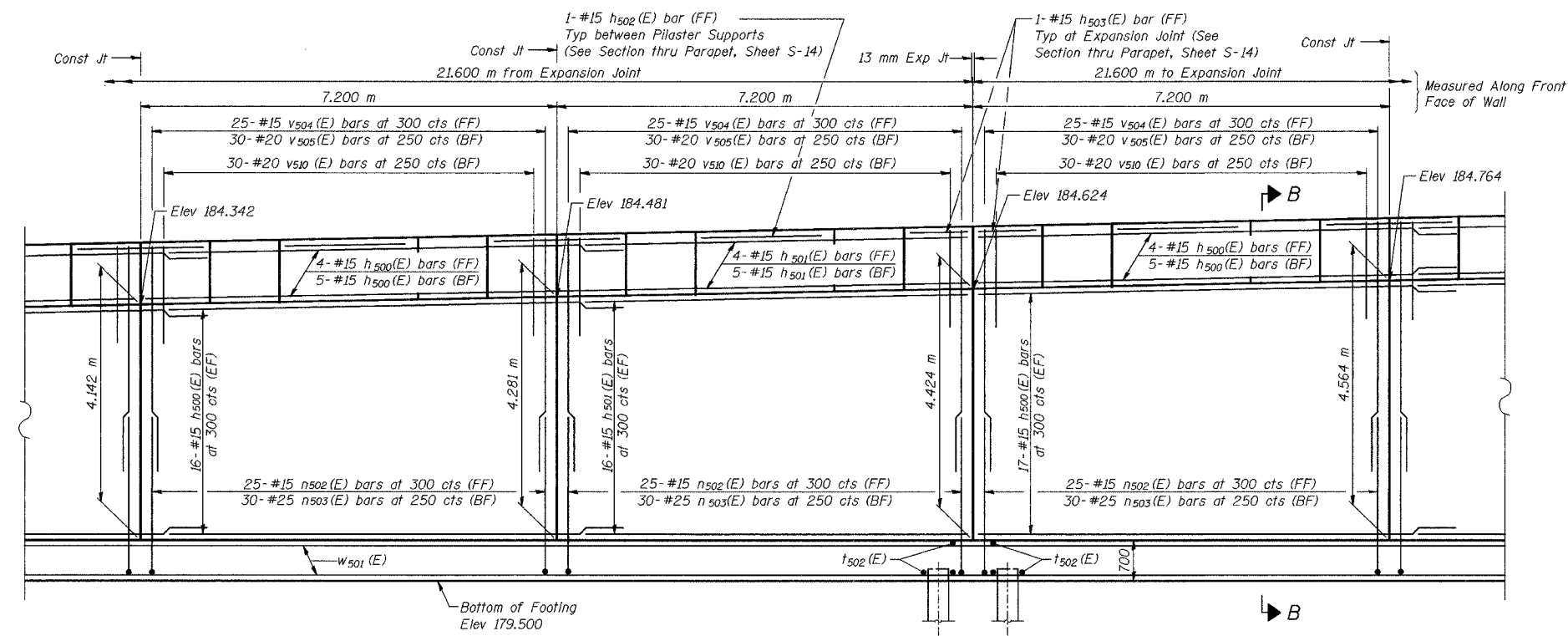
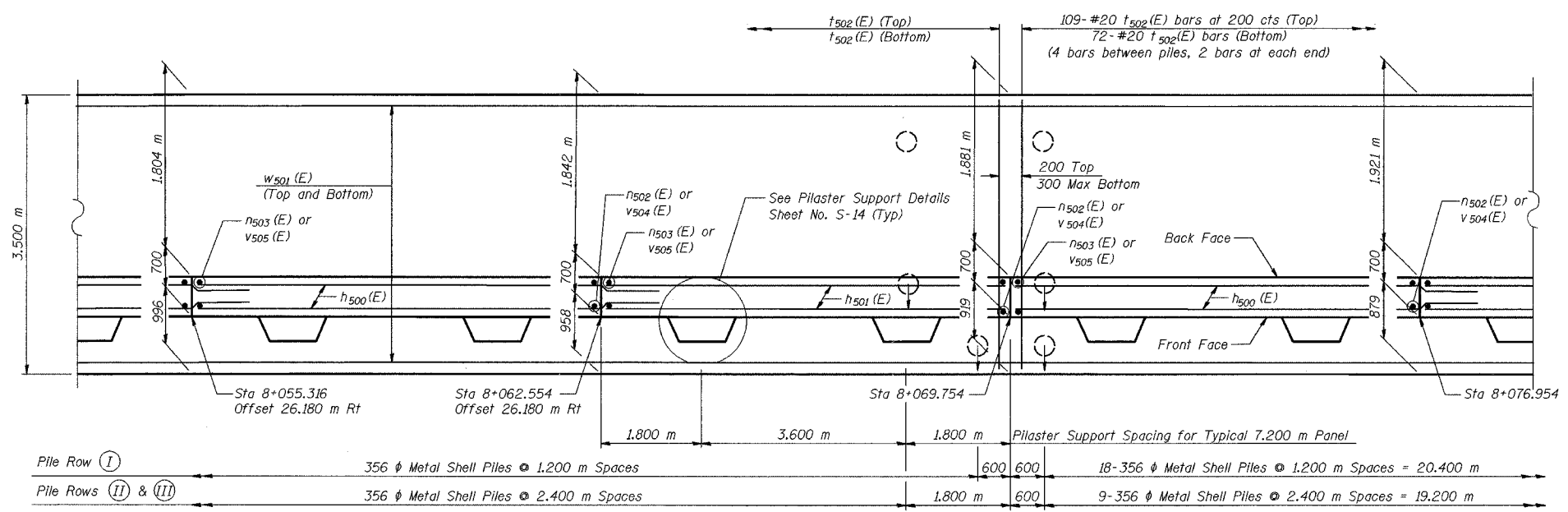


ROUTE NO.	SECTION	COUNTY	SHEET NO.	SHEET TOTAL
74	2626.2-1	LAKE COUNTY, INDIANA	452	183
CONTRACT NO. 62113 INDOT DES. NO. 0100987				

SHEET NO. S-7
19 SHEETS



ELEVATION



FOOTING PLAN

MINIMUM BAR LAPS
#15 bars = 640
#20 bars = 790

LEGEND
BF = Back Face
FF = Front Face
EF = Each Face

NOTES:
See Sheet S-14 for Section B-B, Expansion Joint Detail, and Bill of Material.
See Sheet S-15 for Rustication details.
Stations are referenced to \odot I-80/94.
Reinforcement bars designated (E) shall be epoxy coated.
All dimensions are in millimeters (mm) except as noted.

DESIGNED	MJW
CHECKED	KFA
DRAWN	MJB
CHECKED	GSP

ILLINOIS DEPARTMENT OF TRANSPORTATION
I-80/94/US 6
KINCERY-BORNAN EXPRESSWAY
BURNHAM ROAD TO US 41
PLAN AND ELEVATION (5 OF 11)
SECTION 2626.2-R-1
LAKE COUNTY, INDIANA
STATION 7+960.424 TO STATION 8+199.354
STRUCTURE NO. 016-W922
DATE 07/04
AMERICAN
CONSULTING ENGINEERS