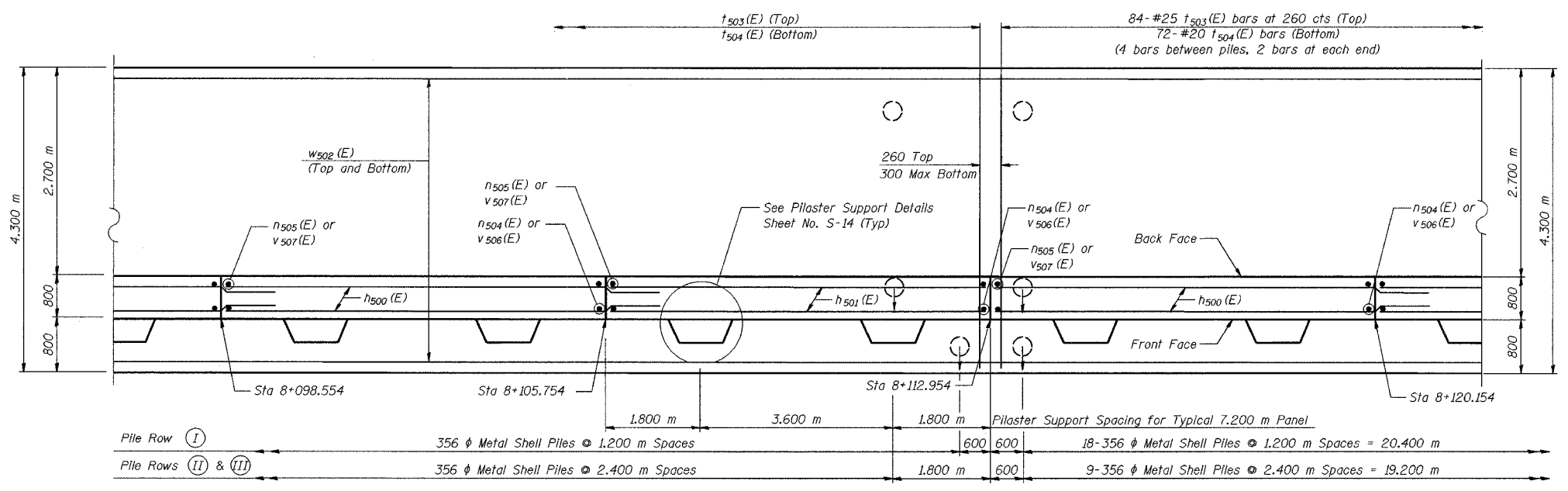
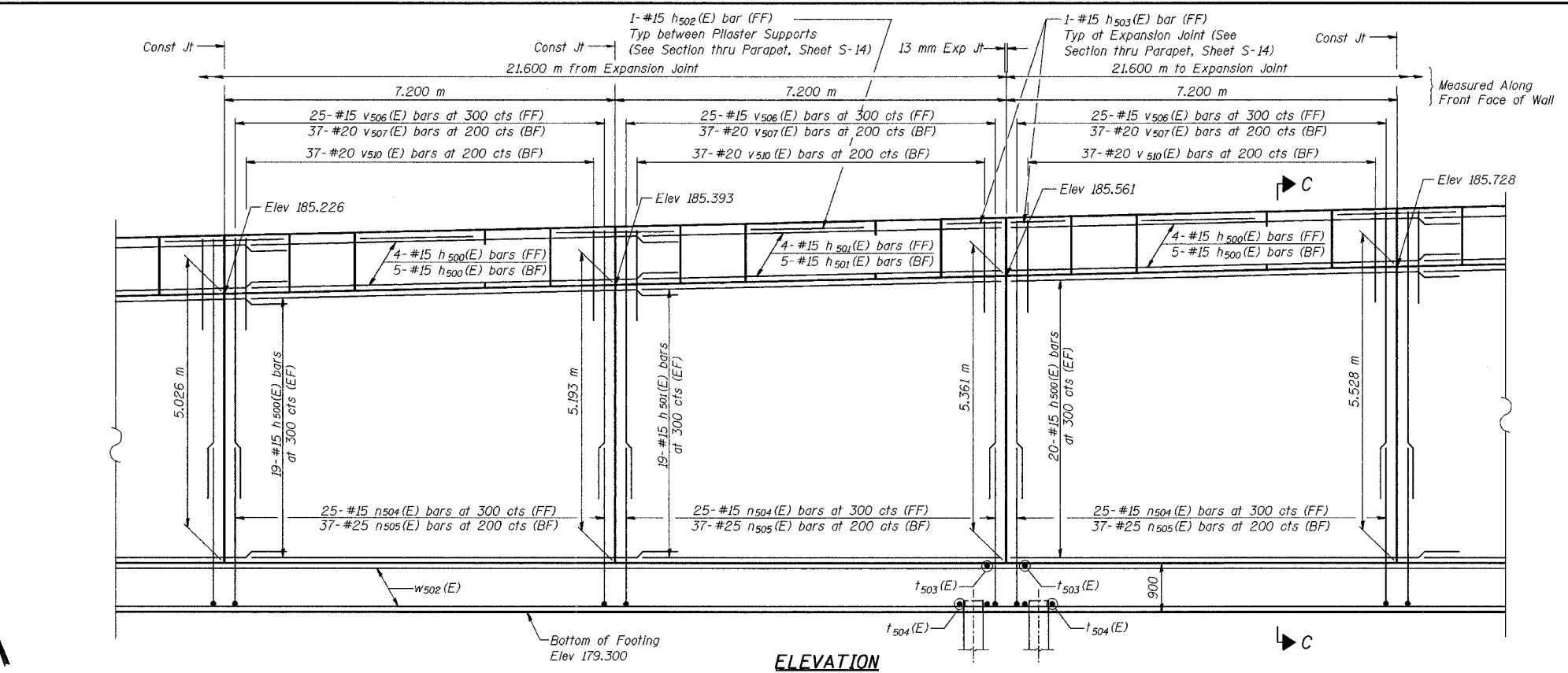


ROUTE NO.	SECTION	COUNTY	SHEET	SHEET	SHEET NO. S-9
I-80/94	2626.2-R-1	LAKE COUNTY, INDIANA	452	185	19 SHEETS
ILLINOIS FED. AID PROJECT					CONTRACT NO. 62113 INDOT DES. NO. 0100987



DESIGNED	MJW
CHECKED	KFA
DRAWN	MJB
CHECKED	GSP

MINIMUM BAR LAPS
#15 bars = 640
#20 bars = 790

LEGEND
BF = Back Face
FF = Front Face
EF = Each Face

NOTES:
See Sheet S-14 for Section C-C, Expansion Joint Detail, and Bill of Material.
See Sheet S-15 for Rustication details.
Stations are referenced to § I-80/94.
Reinforcement bars designated (E) shall be epoxy coated.
All dimensions are in millimeters (mm) except as noted.

ILLINOIS DEPARTMENT OF TRANSPORTATION
I-80/94/US 6
KINGERY-BORMAN EXPRESSWAY
BURNHAM ROAD TO US 41

PLAN AND ELEVATION (7 OF 11)
SECTION 2626.2-R-1
LAKE COUNTY, INDIANA
STATION 7+960.424 TO STATION 8+199.354
STRUCTURE NO. 016-W922

DATE 07/04

AMERICAN
CONSULTING ENGINEERS