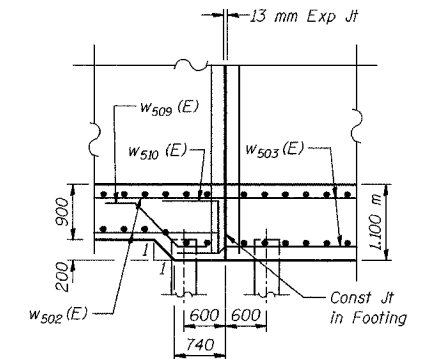
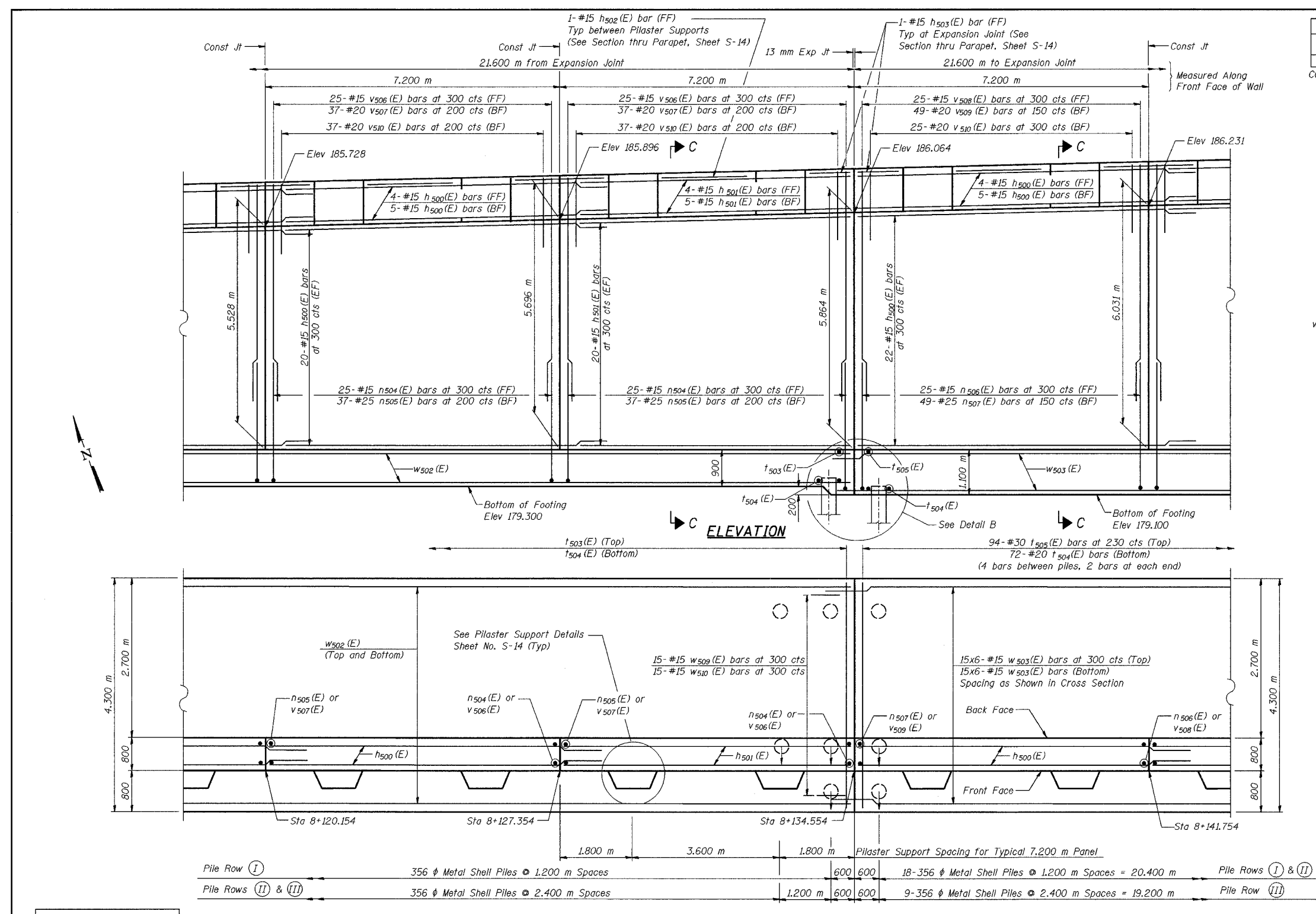


ROUTE NO.	SECTION	COUNTY	SHEET NO.	SHEET	SHEET NO. S-10 19 SHEETS
P.A.L. 88/74	2022-2-11	LAKE COUNTY, INDIANA	452	186	
ILLINOIS FEDERAL PROJECT					CONTRACT NO. 62113 INDOT DES. NO. 0100987



DETAIL B

NOTES:
 See Sheet S-14 for Section C-C, Expansion Joint Detail, and Bill of Material.
 See Sheet S-15 for Rustication details.
 Stations are referenced to ϕ I-80/94.
 Reinforcement bars designated (E) shall be epoxy coated.
 All dimensions are in millimeters (mm) except as noted.
 Bars indicated thus 20x3-#15 etc., indicates 20 lines of bars with 3 lengths per line.

DESIGNED	MJW
CHECKED	KFA
DRAWN	MJB
CHECKED	GSP

FOOTING PLAN

MINIMUM BAR LAPS
 #15 bars = 640
 #20 bars = 790

LEGEND
 BF = Back Face
 FF = Front Face
 EF = Each Face

ILLINOIS DEPARTMENT OF TRANSPORTATION
 I-80/94/US 6
 KINGERY-BORMAN EXPRESSWAY
 BURNHAM ROAD TO US 41

PLAN AND ELEVATION (8 OF 11)
 SECTION 2626.2-R-1
 LAKE COUNTY, INDIANA
 STATION 7+960.424 TO STATION 8+199.354
 STRUCTURE NO. 016-W922

DATE 07/04

AMERICAN
 CONSULTING ENGINEERS