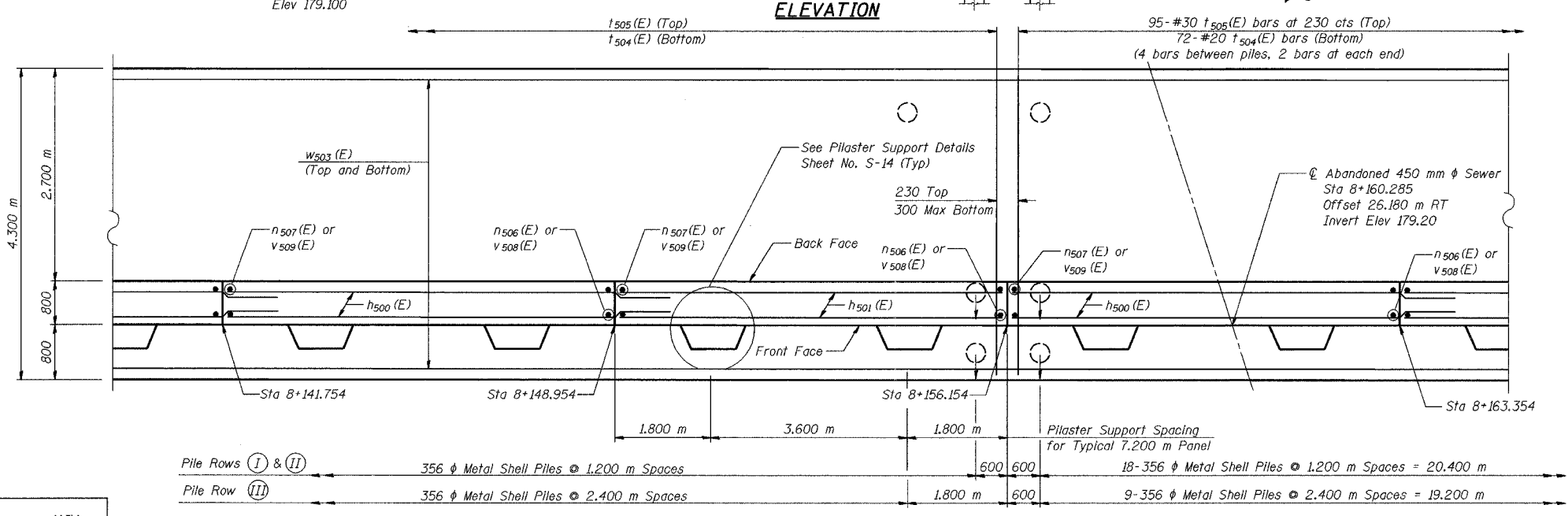
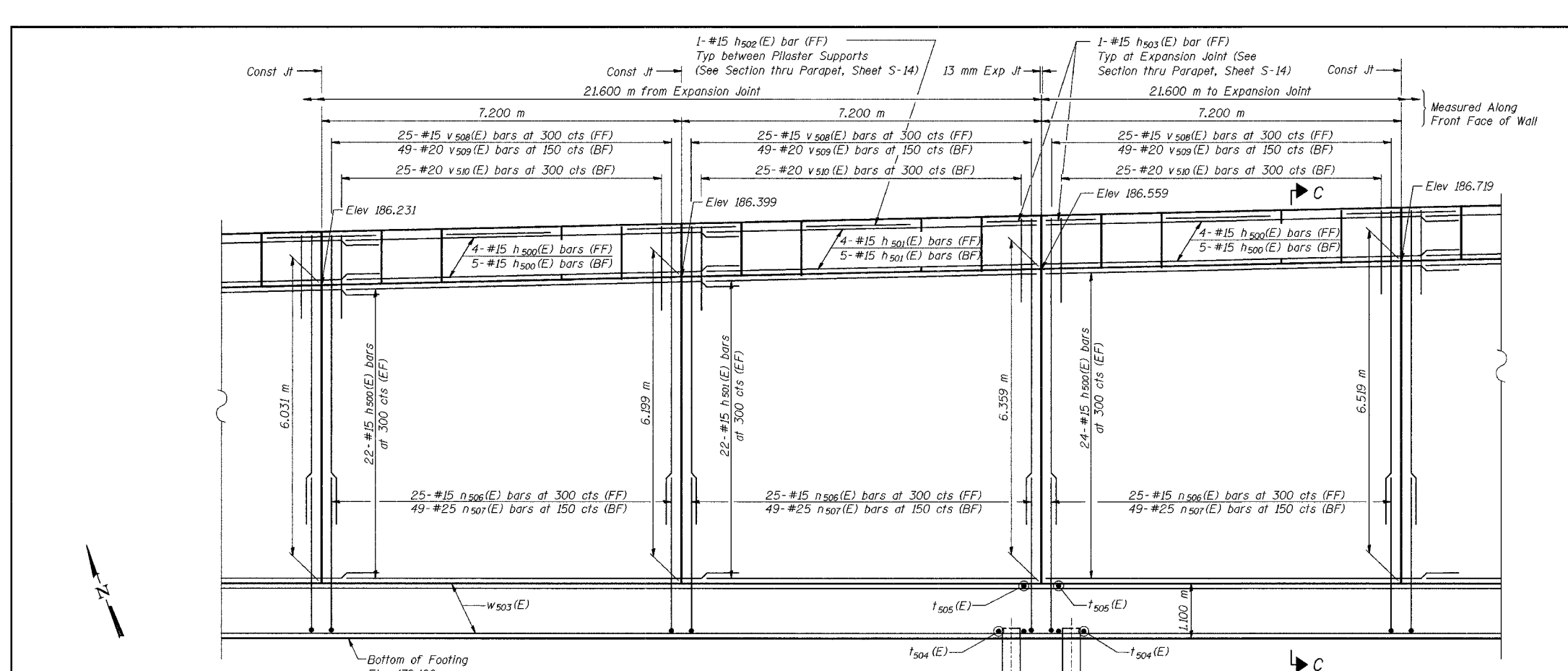


ROUTE NO.	SECTION	COUNTY	SHEET NO.	SHEET TOTAL
1-80/94	2626.2-R-1	LAKE COUNTY, INDIANA	452	187
SHEET NO. S-11				
19 SHEETS				
CONTRACT NO. 62113 INDOT DES. NO. 0100987				



DESIGNED	MJW
CHECKED	KFA
DRAWN	MJB
CHECKED	GSP

**FOOTING PLAN**

**MINIMUM BAR LAPS**

#15 bars = 640  
#20 bars = 790

**LEGEND**

BF = Back Face  
FF = Front Face  
EF = Each Face

**NOTES:**  
See Sheet S-14 for Section C-C, Expansion Joint Detail, and Bill of Material.  
See Sheet S-15 for Rustication details.  
Stations are referenced to  $\odot$  I-80/94.  
Reinforcement bars designated (E) shall be epoxy coated.  
All dimensions are in millimeters (mm) except as noted.

ILLINOIS DEPARTMENT OF TRANSPORTATION  
I-80/94/US 6  
KINCERY-BORMAN EXPRESSWAY  
BURNHAM ROAD TO US 41  
**PLAN AND ELEVATION (9 OF 11)**  
SECTION 2626.2-R-1  
LAKE COUNTY, INDIANA  
STATION 7+960.424 TO STATION 8+199.354  
STRUCTURE NO. 016-W922  
DATE 07/04  
**AMERICAN**  
CONSULTING ENGINEERS