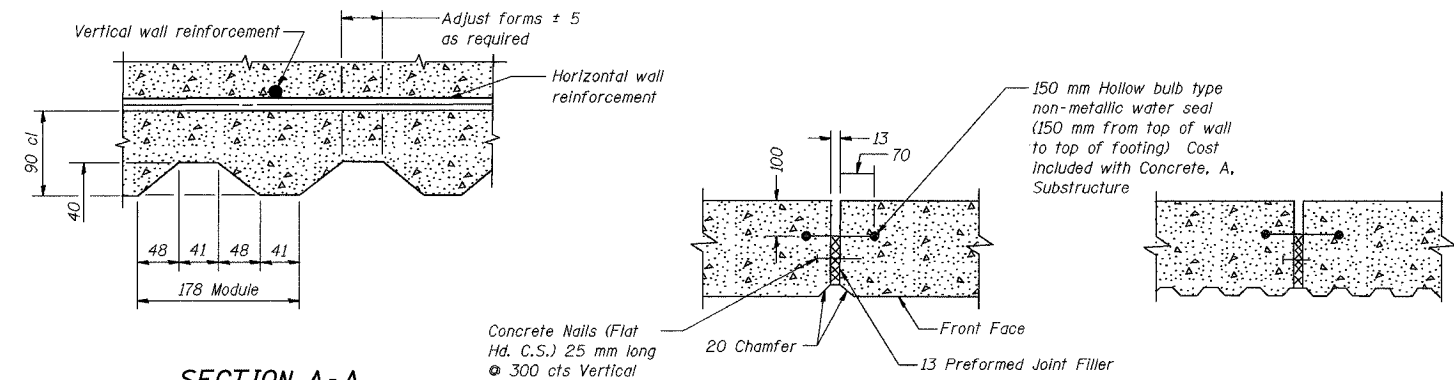


FRONT FACE ELEVATION-TYPICAL ARCHITECTURAL FINISH

RUSTICATION LIMITS

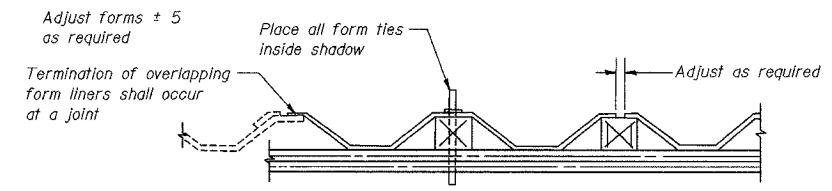
| STATION | TOP OF WALL ELEVATION | BOTTOM OF RUSTICATION ELEVATION |
|-----------|-----------------------|---------------------------------|
| 7+960.424 | 183.413 | 180.500 |
| 7+967.724 | 183.434 | 180.500 |
| 7+975.023 | 183.460 | 180.500 |
| 7+982.322 | 183.493 | 180.500 |
| 7+989.622 | 183.533 | 180.500 |
| 7+996.921 | 183.580 | 180.500 |
| 8+004.220 | 183.634 | 180.500 |
| 8+011.520 | 183.694 | 180.500 |
| 8+018.819 | 183.762 | 180.500 |
| 8+026.118 | 183.836 | 180.500 |
| 8+033.418 | 183.926 | 180.500 |
| 8+040.717 | 184.064 | 180.500 |
| 8+048.017 | 184.201 | 180.500 |
| 8+055.316 | 184.342 | 180.500 |
| 8+062.554 | 184.481 | 180.500 |
| 8+069.754 | 184.624 | 180.500 |
| 8+076.954 | 184.764 | 180.500 |
| 8+084.154 | 184.912 | 180.500 |
| 8+091.354 | 185.066 | 180.500 |
| 8+098.554 | 185.226 | 180.500 |
| 8+105.754 | 185.393 | 180.500 |
| 8+112.954 | 185.561 | 180.500 |
| 8+120.154 | 185.728 | 180.500 |
| 8+127.354 | 185.896 | 180.500 |
| 8+134.554 | 186.064 | 180.500 |
| 8+141.754 | 186.231 | 180.500 |
| 8+148.954 | 186.399 | 180.500 |
| 8+156.154 | 186.559 | 180.500 |
| 8+163.354 | 186.719 | 180.500 |
| 8+170.554 | 186.879 | 180.500 |
| 8+177.754 | 187.037 | 180.500 |
| 8+177.754 | 187.037 | 181.400 |
| 8+184.954 | 187.195 | 181.400 |
| 8+192.154 | 187.354 | 181.400 |
| 8+199.354 | 187.512 | 181.400 |



SECTION A-A

EXPANSION JOINT DETAIL

CONSTRUCTION JOINT DETAIL



SUGGESTED FORMWORK DETAIL

| | |
|----------|-----|
| DESIGNED | MJW |
| CHECKED | KFA |
| DRAWN | MJB |
| CHECKED | GSP |

BILL OF MATERIAL

| Item | Unit | Total |
|--------------------|----------------|-------|
| Rustication Finish | m ² | 1,061 |

Note: All dimensions are in millimeters (mm) unless otherwise noted.

ILLINOIS DEPARTMENT OF TRANSPORTATION
 I-80/94/US 6
 KINGERY-BORMAN EXPRESSWAY
 BURHAM ROAD TO US 41
RUSTICATION FINISH DETAILS
 SECTION 262.2-R-1
 LAKE COUNTY, INDIANA
 STATION 7+960.424 TO STATION 8+199.354
 STRUCTURE NO. 016-W922
 DATE 07/04
AMERICAN
 CONSULTING ENGINEERS