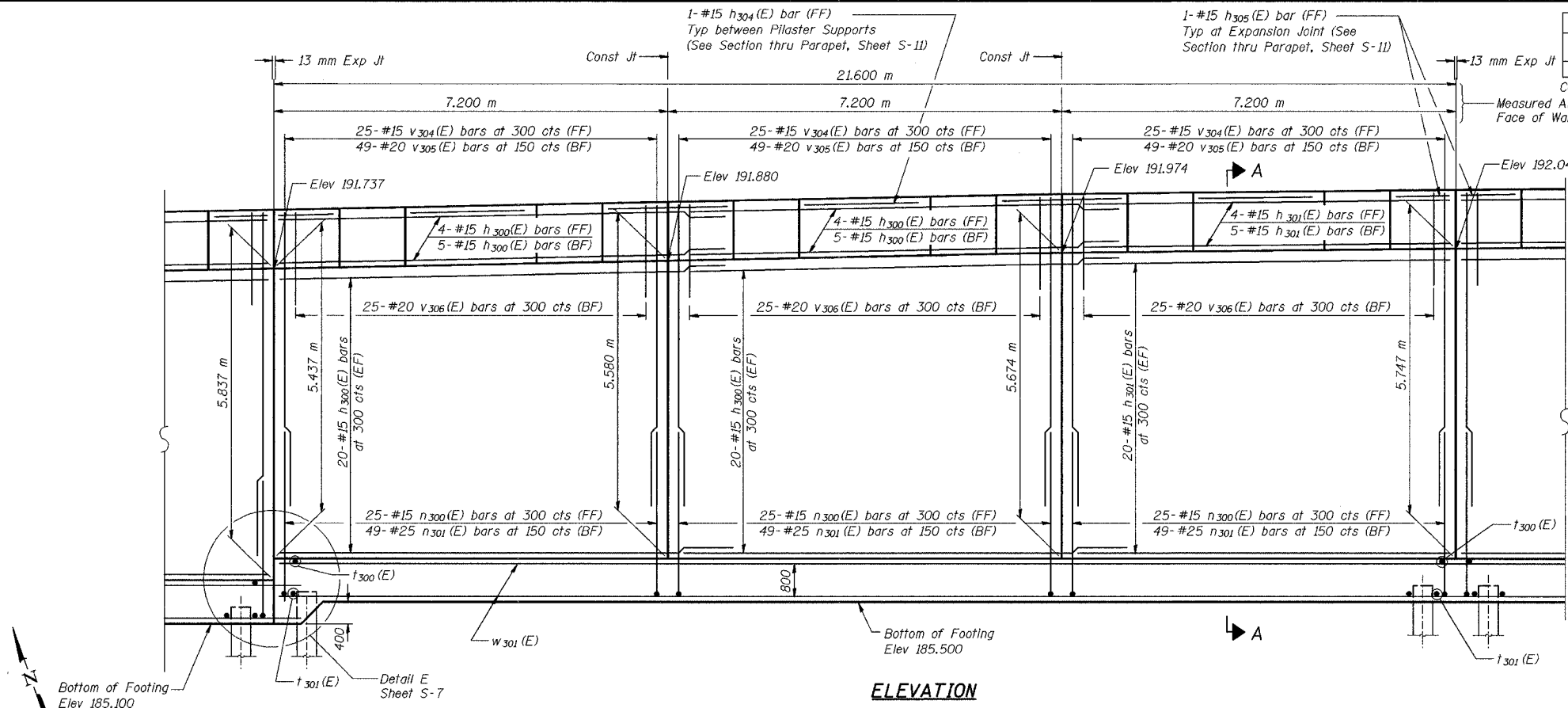
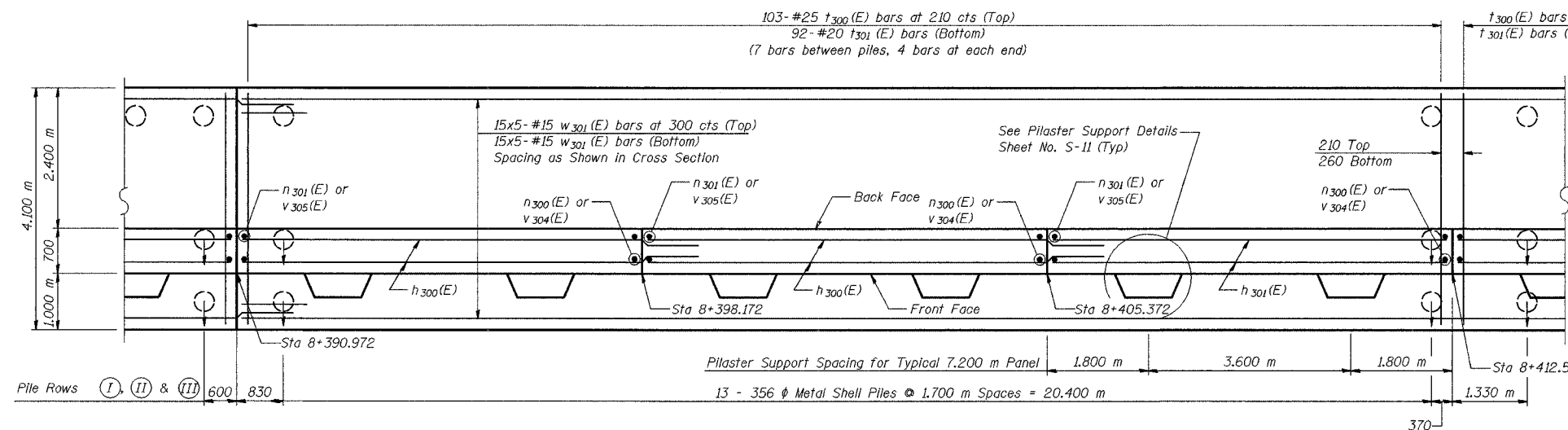


ROUTE NO.	SECTION	COUNTY	SHEET	SHEET NO. S-9
452	204	LAKE COUNTY, INDIANA	20 SHEETS	

CONTRACT NO. 62113 INDOT DES. NO. 0100987



ELEVATION



FOOTING PLAN

NOTES:
 See Sheet S-11 for Section A-A.
 See Sheet S-12 for Expansion Joint Detail and Bill of Material.
 See Sheet S-13 for Rustication details.
 Stations are referenced to \mathcal{C} I-80/94.
 Reinforcement bars designated (E) shall be epoxy coated.
 All dimensions are in millimeters (mm) except as noted.
 Bars indicated thus 20 x 3-#15 etc. indicates 20 lines of bars with 3 lengths per line.

DESIGNED	MJW
CHECKED	KFA
DRAWN	MJB
CHECKED	GSP

MINIMUM BAR LAPS
 #15 bars = 640
 #20 bars = 790

LEGEND
 BF = Back Face
 FF = Front Face
 EF = Each Face

ILLINOIS DEPARTMENT OF TRANSPORTATION
 I-80/94/US 6
 KINGERY-BORMAN EXPRESSWAY
 BURNHAM ROAD TO US 41
PLAN AND ELEVATION (7 OF 8)
 SECTION 2626.2-R-1
 LAKE COUNTY, INDIANA
 STATION 8+268.572 TO STATION 8+445.954
 STRUCTURE NO. 016-W857
 DATE 07/04
AMERICAN
 CONSULTING ENGINEERS