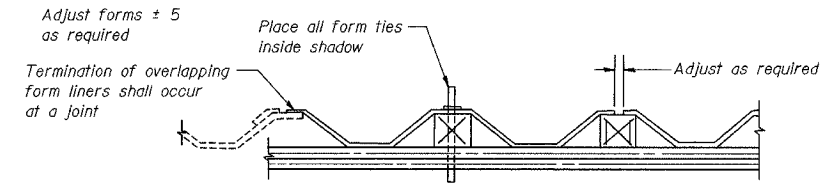
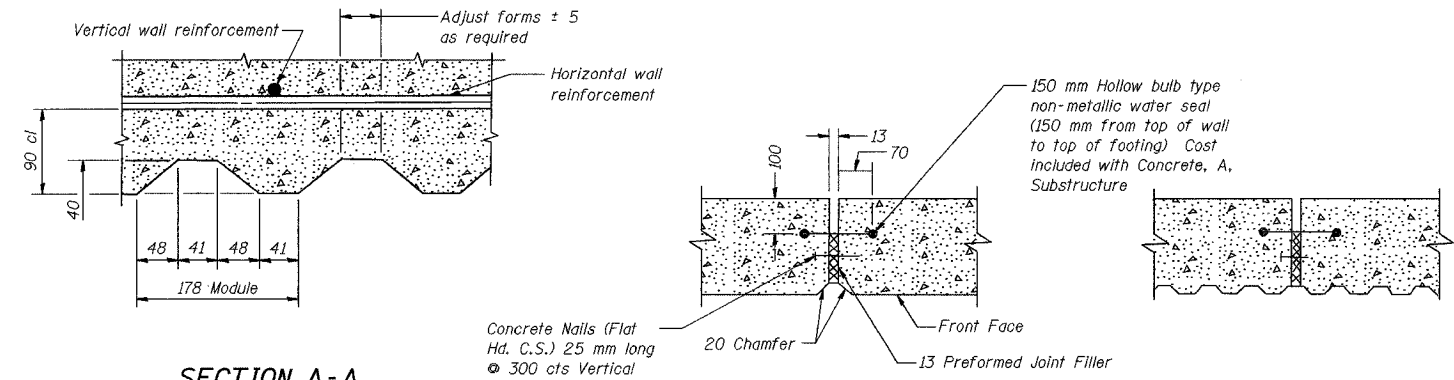


FRONT FACE ELEVATION-TYPICAL ARCHITECTURAL FINISH



DESIGNED	MJW
CHECKED	KFA
DRAWN	MJB
CHECKED	GSP

BILL OF MATERIAL

Item	Unit	Total
Rustication Finish	m ²	972

Note: All dimensions are in millimeters (mm) unless otherwise noted.

RUSTICATION LIMITS

STATION	TOP OF WALL ELEVATION	BOTTOM OF RUSTICATION ELEVATION
8+268.572	188.941	183.300
8+275.772	189.106	183.300
8+282.972	189.274	183.300
8+282.972	189.274	184.000
8+290.172	189.453	184.000
8+297.372	189.633	184.000
8+304.572	189.821	184.000
8+304.572	189.821	184.600
8+311.772	190.007	184.600
8+318.972	190.187	184.600
8+326.172	190.363	184.600
8+326.172	190.363	184.900
8+333.372	190.533	184.900
8+340.572	190.698	184.900
8+347.772	190.858	184.900
8+347.772	190.858	185.800
8+354.972	191.012	185.800
8+362.172	191.162	185.800
8+369.372	191.306	185.800
8+369.372	191.306	186.200
8+376.572	191.448	186.200
8+383.772	191.592	186.200
8+390.972	191.737	186.200
8+390.972	191.737	186.600
8+398.172	191.880	186.600
8+405.372	191.974	186.600
8+412.572	192.047	186.600
8+419.772	192.115	186.600
8+426.972	192.178	186.600
8+434.172	192.236	186.600
8+438.554	192.269	186.600
8+438.554	190.435	187.200
8+440.854	190.435	187.200
8+445.954	188.150	187.200

ILLINOIS DEPARTMENT OF TRANSPORTATION
I-80/94/US 6
KINGERY-BORMAN EXPRESSWAY
BURNHAM ROAD TO US 41

RUSTICATION FINISH DETAILS
SECTION 2626.2-R-1
LAKE COUNTY, INDIANA
STATION 8+268.572 TO STATION 8+445.954
STRUCTURE NO. 016-W857

DATE 07/04

AMERICAN
CONSULTING ENGINEERS