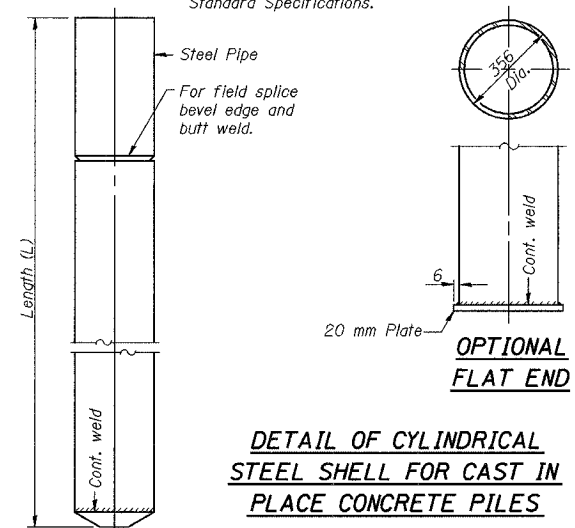


ROUTE NO.	SECTION	COUNTY	SHEET NO.	SHEET TOTAL	SHEET NO. S-14 20 SHEETS
F.A.S. 58/74	2626.2-R-1	LAKE COUNTY, INDIANA	452	209	
CONTRACT NO. 62113		INDOT DES. NO. 0100987			

Notes: Driving and bearing ends of pipe shall be cut square. The thickness of the shell shall be 6.35 mm with a tolerance of 5%. The shell shall be according to Article 1006.05(a) of the Standard Specifications.



DESIGNED	MJW
CHECKED	KFA
DRAWN	MJB
CHECKED	GSP

X-PB (M) 4-30-97 (All dimensions are in millimeters (mm) except as noted.)

ILLINOIS DEPARTMENT OF TRANSPORTATION
I-80/94/US 6
KINGERY-BORMAN EXPRESSWAY
BURNHAM ROAD TO US 41

CONCRETE PILE DETAILS
SECTION 2626.2-R-1
LAKE COUNTY, INDIANA
STATION 8+268.572 TO STATION 8+445.954
STRUCTURE NO. 016-W857

DATE 07/04

AMERICAN
CONSULTING ENGINEERS

I:\Projects\2007\07-2626.2-R-1\07-2626.2-R-1.dwg 07-26-04 10:48:33 PM