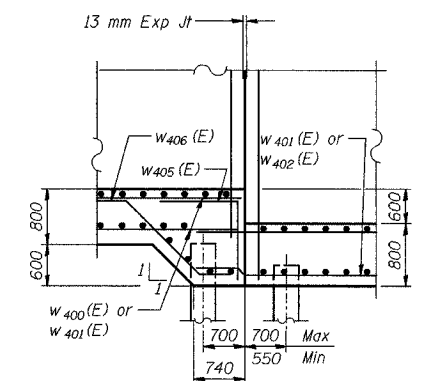
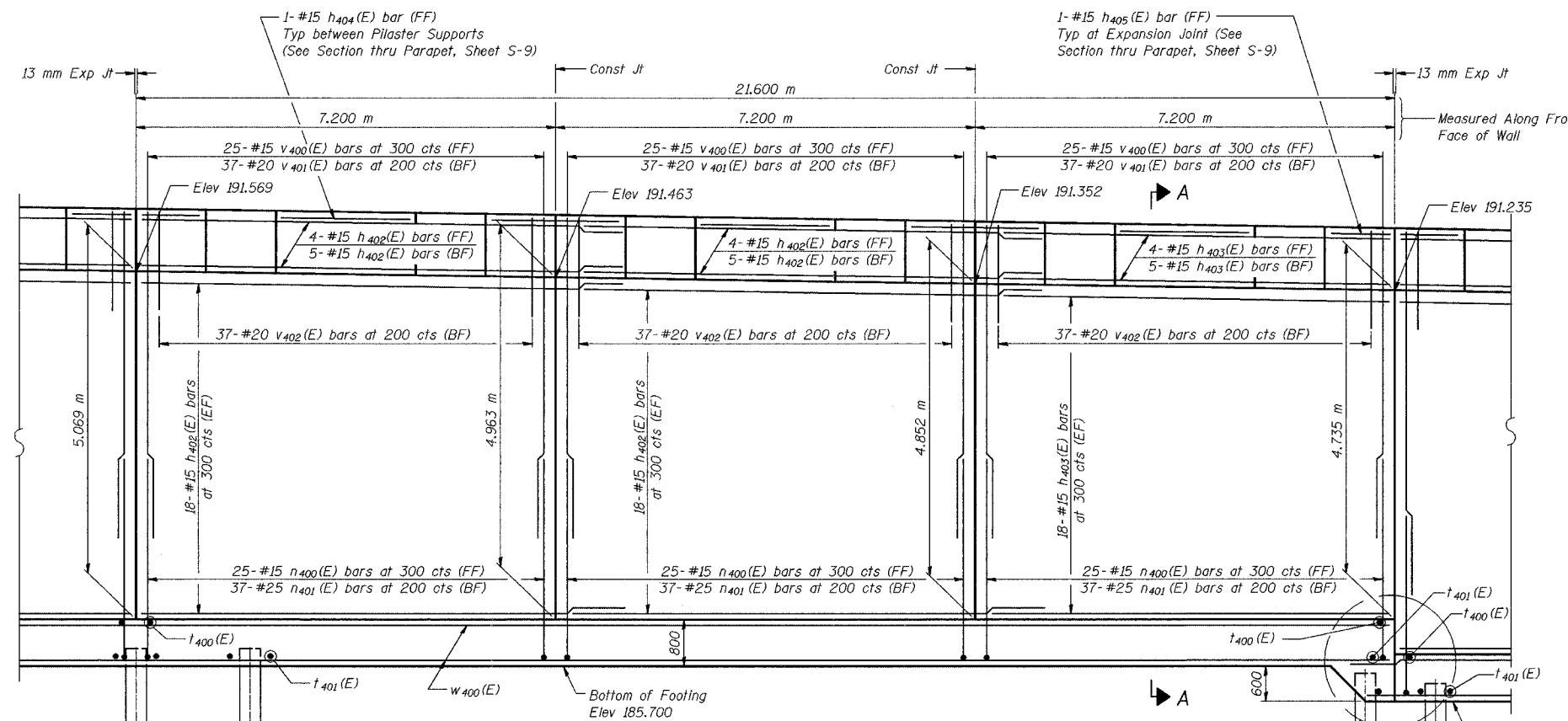


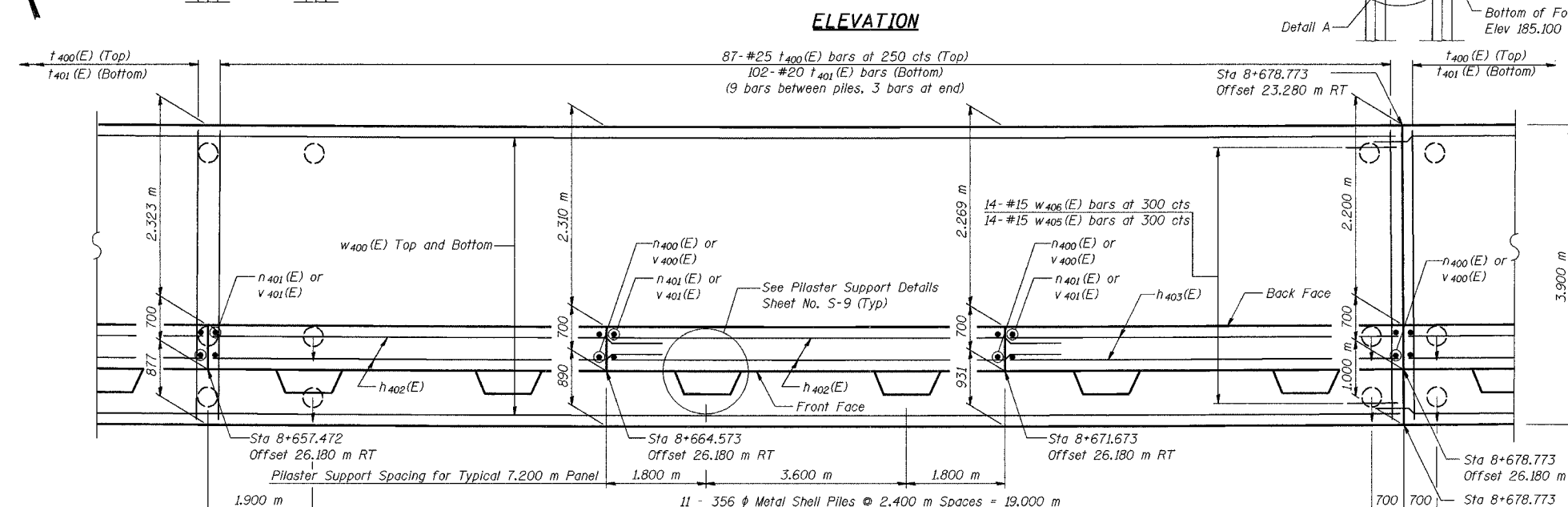
ROUTE NO.	SECTION	COUNTY	SHEET NO.	SHEET	SHEET NO. S-5
F.A.I. NO./A	2626.2-R-1	LAKE COUNTY, INDIANA	452	220	17 SHEETS
ILLINOIS	FED. AID PROJECT				

CONTRACT NO. 62113 INDOT DES. NO. 0100987



DETAIL A

NOTES:
 See Sheet S-9 for Section A-A, Expansion Joint Detail, and Bill of Material.
 See Sheet S-10 for Rustication details.
 Stations are referenced to \pm 1-80/94.
 Reinforcement bars designated (E) shall be epoxy coated.
 All dimensions are in millimeters (mm) except as noted.



FOOTING PLAN

MINIMUM BAR LAPS

#15 bars = 640
 #20 bars = 790

LEGEND

BF = Back Face
 FF = Front Face
 EF = Each Face

DESIGNED	MJW
CHECKED	KFA
DRAWN	MJB
CHECKED	GSP

ILLINOIS DEPARTMENT OF TRANSPORTATION
 I-80/94/US 6
 KINCERY-BORMAN EXPRESSWAY
 BURNHAM ROAD TO US 41
PLAN AND ELEVATION (3 OF 6)
 SECTION 2626.2-R-1
 LAKE COUNTY, INDIANA
 STATION 8+600.619 TO STATION 8+735.576
 STRUCTURE NO. 016-W859
 DATE 07/04
AMERICAN
 CONSULTING ENGINEERS