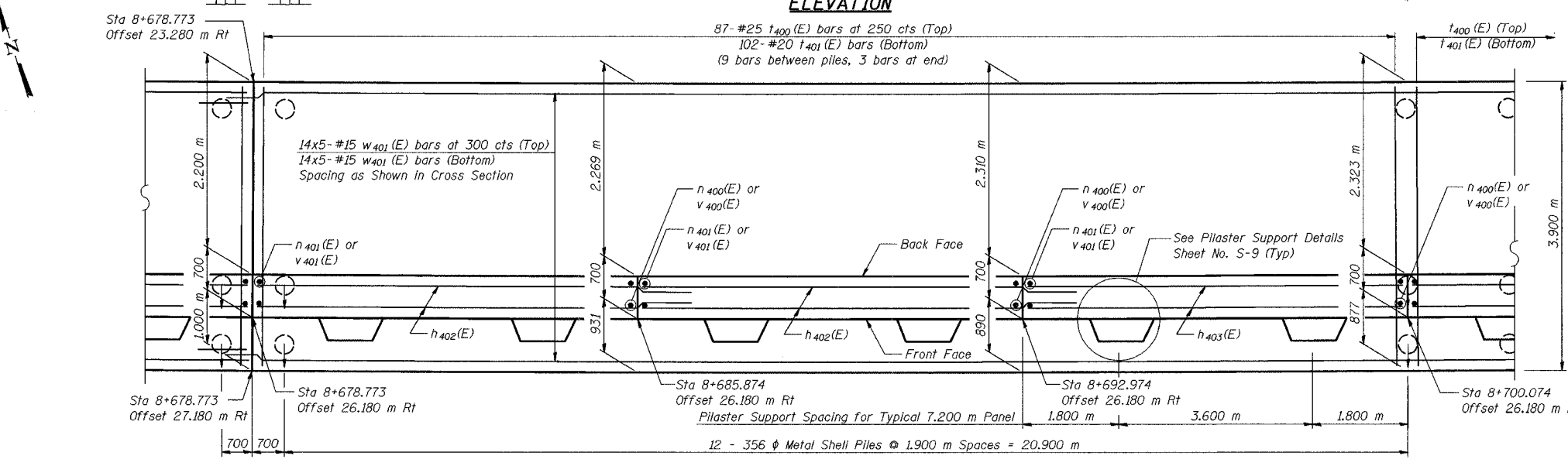
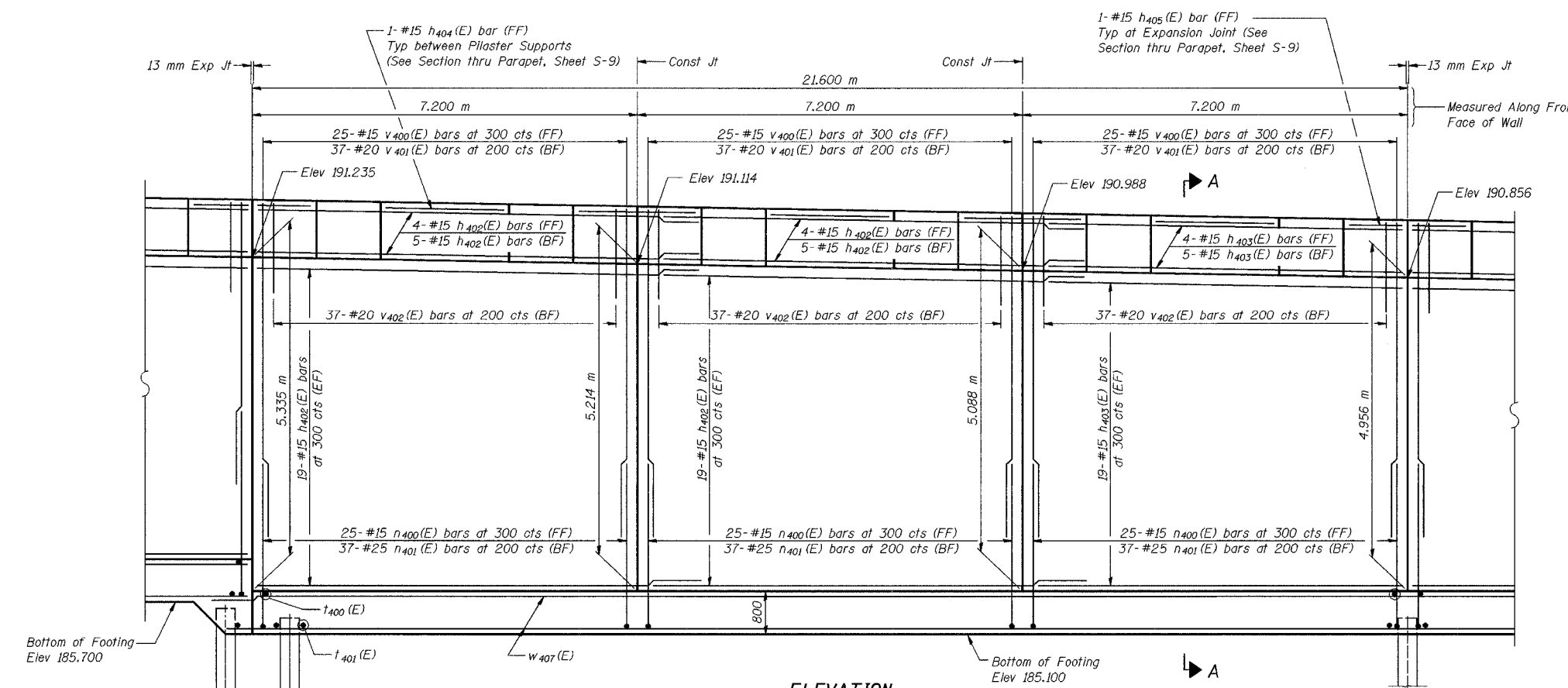


ROUTE NO.	SECTION	COUNTY	SHEET NO.	SHEET	SHEET NO. S-6
I.A.L. 56-74	2626.2-R-1	LAKE COUNTY, INDIANA	452	221	17 SHEETS
CONTRACT NO. 62113 INDOT DES. NO. 0100987					



NOTES:

See Sheet S-9 for Section A-A, Expansion Joint Detail, and Bill of Material.

See Sheet S-10 for Rustication details.

Stations are referenced to @ I-80/94.

Reinforcement bars designated (E) shall be epoxy coated.

All dimensions are in millimeters (mm) except as noted.

Bars indicated thus 20 x 3-#15 etc. indicates 20 lines of bars with 3 lengths per line.

DESIGNED	MJW
CHECKED	KFA
DRAWN	MJB
CHECKED	GSP

MINIMUM BAR LAPS

#15 bars = 640

#20 bars = 790

LEGEND

BF = Back Face

FF = Front Face

EF = Each Face

ILLINOIS DEPARTMENT OF TRANSPORTATION
I-80/94/US 6
KINGERY-BORMAN EXPRESSWAY
BURNHAM ROAD TO US 41

PLAN AND ELEVATION (4 OF 6)
SECTION 2626.2-R-1
LAKE COUNTY, INDIANA
STATION 8+600.619 TO STATION 8+735.576
STRUCTURE NO. 016-W859

DATE 07/04

AMERICAN
CONSULTING ENGINEERS