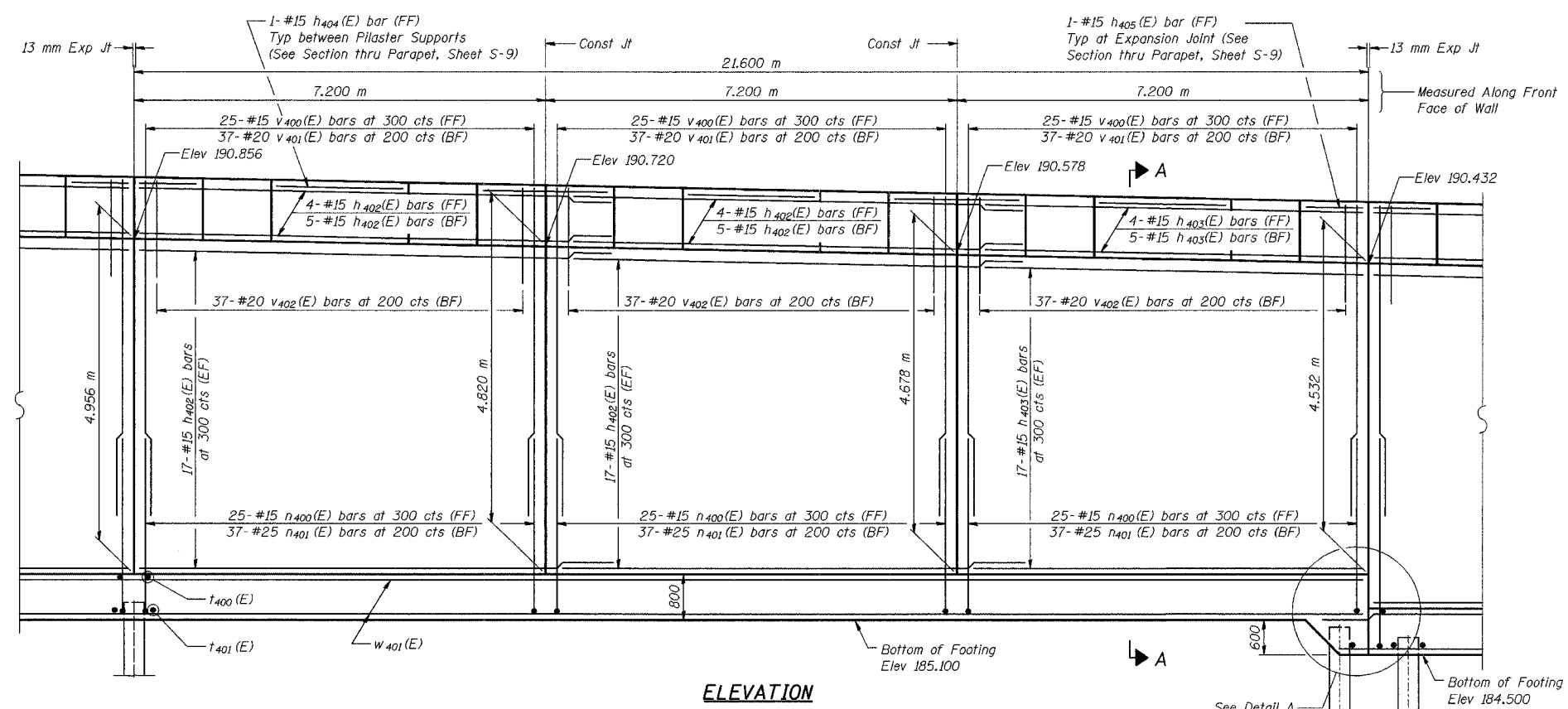


ROUTE NO.	SECTION	COUNTY	SHEET	SHEET
P.A. 1	2626.2-R-1	LAKE COUNTY, INDIANA	452	222
ILLINOIS FEDERAL PROJECT				

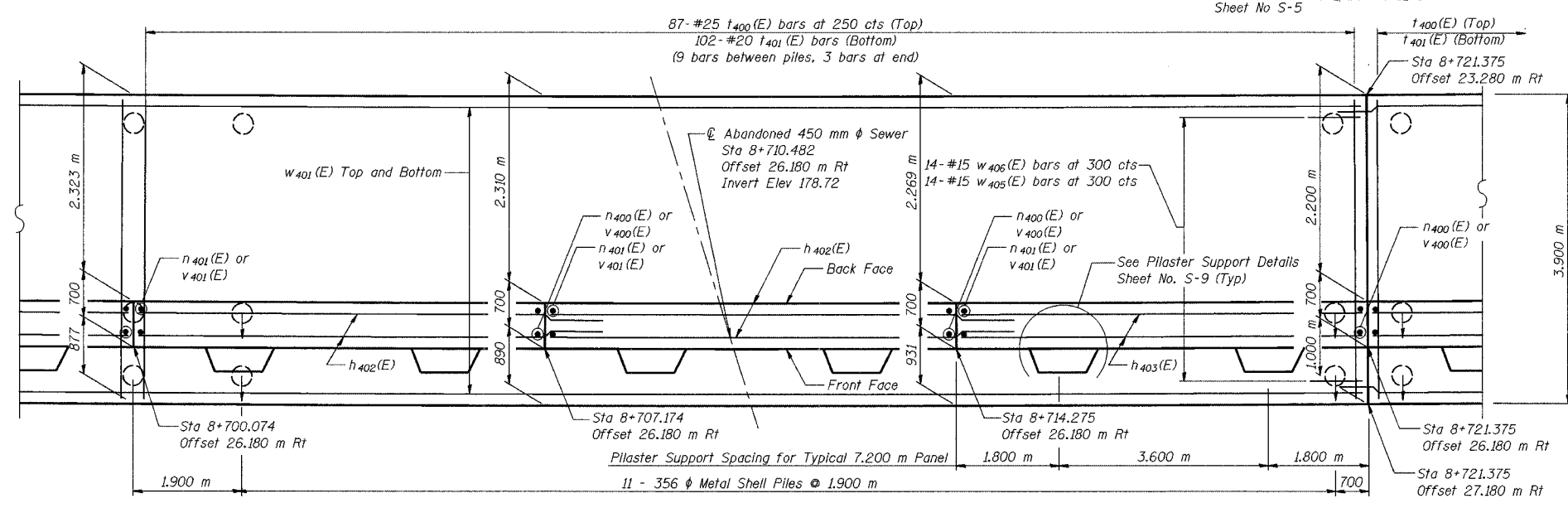
SHEET NO. S-7  
17 SHEETS

CONTRACT NO. 62113 INDOT DES. NO. 0100987



**ELEVATION**

**NOTES:**  
See Sheet S-9 for Section A-A. Expansion Joint Detail, and Bill of Material.  
See Sheet S-10 for Rustication details.  
Stations are referenced to  $\odot$  I-80/94.  
Reinforcement bars designated (E) shall be epoxy coated.  
All dimensions are in millimeters (mm) except as noted.



**FOOTING PLAN**

**MINIMUM BAR LAPS**

#15 bars = 640  
#20 bars = 790

**LEGEND**

BF = Back Face  
FF = Front Face  
EF = Each Face

DESIGNED	MJW
CHECKED	KFA
DRAWN	MJB
CHECKED	GSP

ILLINOIS DEPARTMENT OF TRANSPORTATION  
I-80/94/US 6  
KINGERY-BORMAN EXPRESSWAY  
BURNHAM ROAD TO US 41

**PLAN AND ELEVATION (5 OF 6)**  
**SECTION 2626.2-R-1**  
**LAKE COUNTY, INDIANA**  
**STATION 8+600.619 TO STATION 8+735.576**  
**STRUCTURE NO. 016-W859**

DATE 07/04

**AMERICAN**  
CONSULTING ENGINEERS