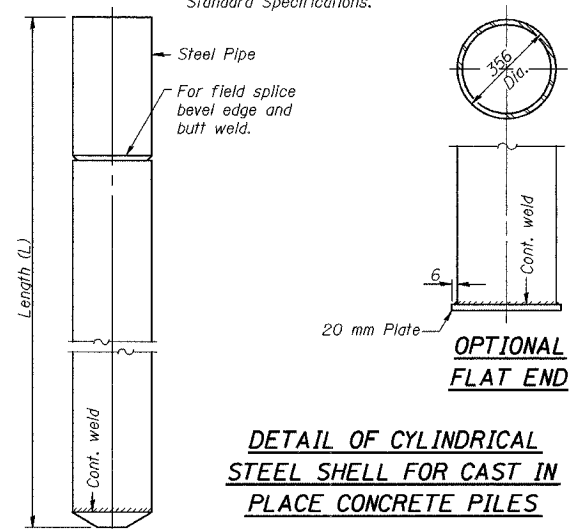


ROUTE NO.	SECTION	COUNTY	SHEET NO.	SHEET	SHEET NO.
F.A.S. 08/74	2626.2-R-1	LAKE COUNTY, INDIANA	452	226	17 SHEETS
CONTRACT NO. 62113		INDOT DES. NO. 0100987			

Notes: Driving and bearing ends of pipe shall be cut square.  
The thickness of the shell shall be 6.35 mm with a tolerance of 5%.  
The shell shall be according to Article 1006.05(a) of the Standard Specifications.



DETAIL OF CYLINDRICAL STEEL SHELL FOR CAST IN PLACE CONCRETE PILES

DESIGNED	MJW
CHECKED	KFA
DRAWN	MJB
CHECKED	GSP

X-PB (M) 4-30-97 (All dimensions are in millimeters (mm) except as noted.)

ILLINOIS DEPARTMENT OF TRANSPORTATION  
1-80/94/US 6  
KINGERY-BORMAN EXPRESSWAY  
BURNHAM ROAD TO US 41

CONCRETE PILE DETAILS  
SECTION 2626.2-R-1  
LAKE COUNTY, INDIANA  
STATION 8 + 600.619 TO STATION 8 + 735.576  
STRUCTURE NO. 016-W859

DATE 07/04

**AMERICAN**  
CONSULTING ENGINEERS