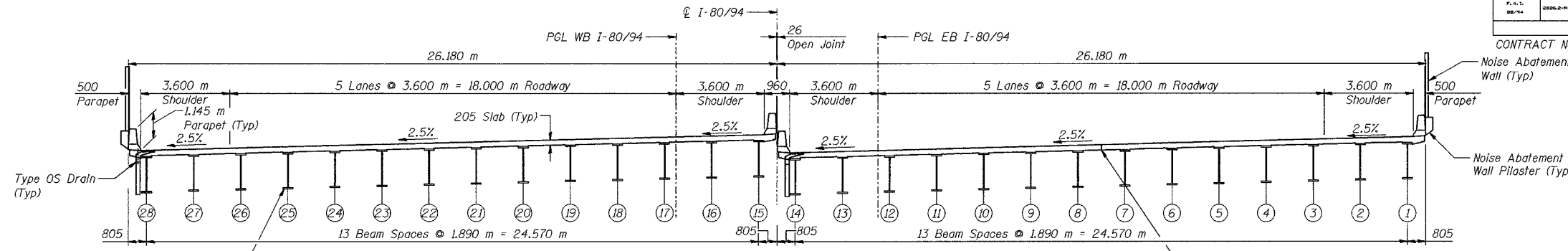
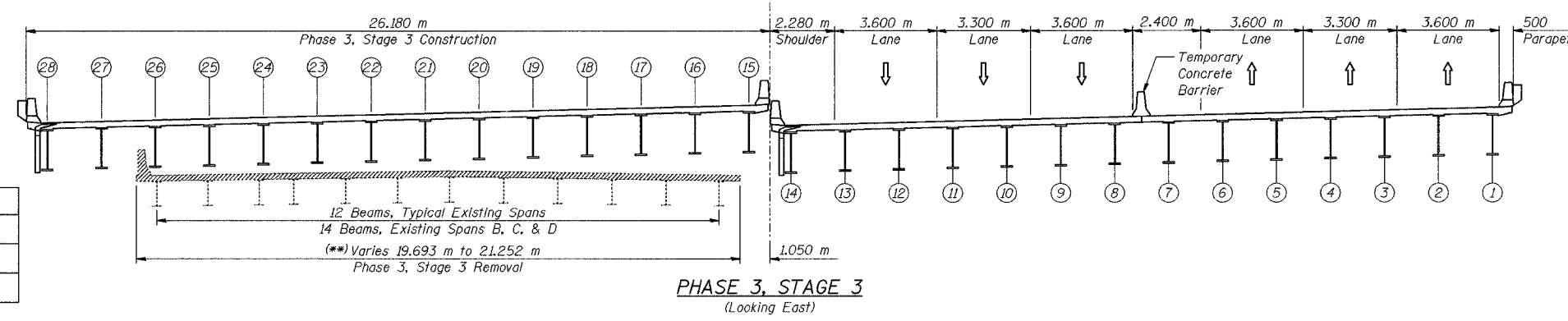
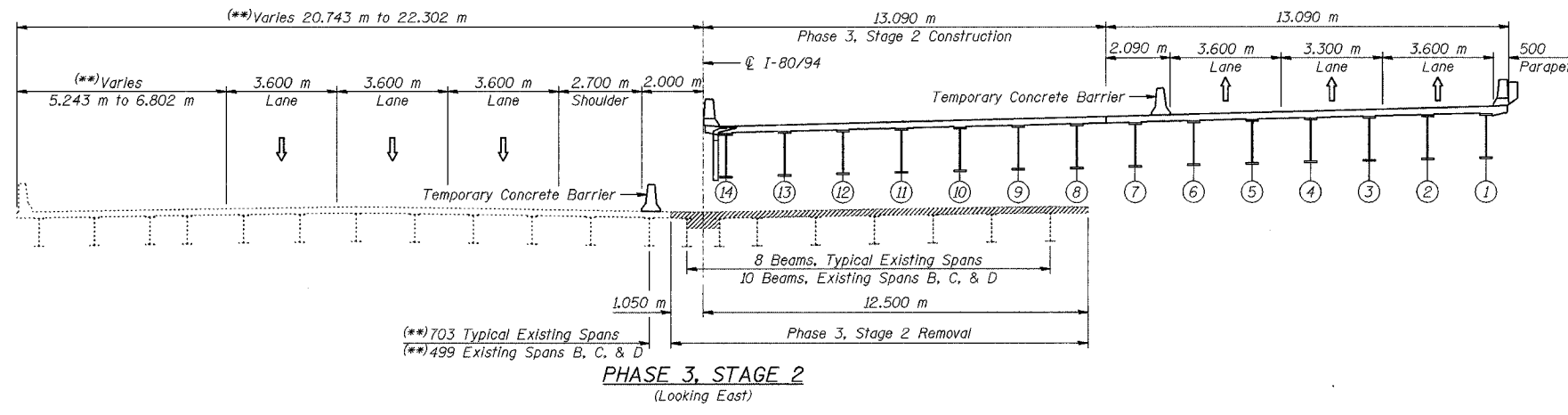
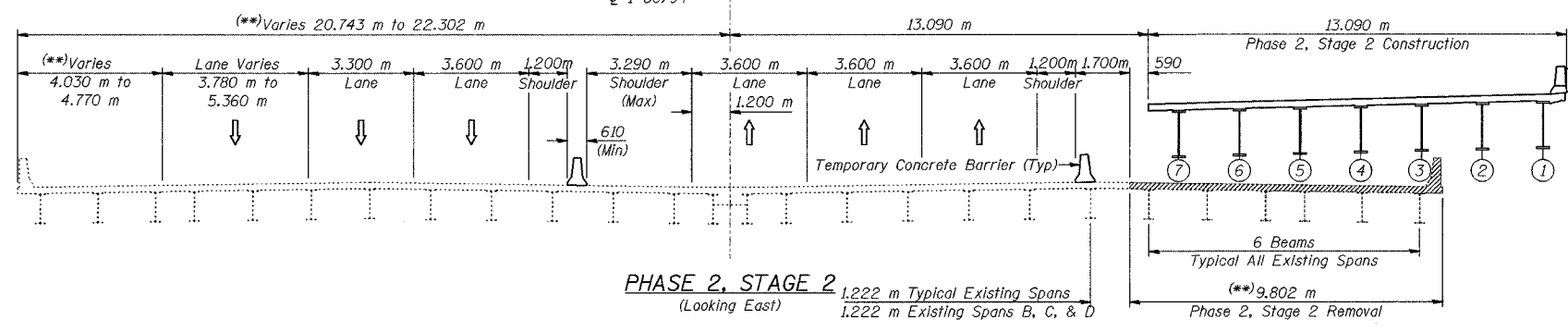


ROUTE NO.	SECTION	COUNTY	SHEET	SHEET NO. S-4
F.A.I. 80/94	2626.2-R-1	LAKE COUNTY, INDIANA	452 236	72 SHEETS
CONTRACT NO. 62113		INDOT DES. NO. 0100987		



1.350 m Web Welded I<sub>p</sub> Girder (Composite) (Spans 1 thru 3)  
W920 (Composite) (Spans 4 thru 6)



DESIGNED	BHS
CHECKED	KFA
DRAWN	MJB
CHECKED	GSP

- STAGING NOTES:**
1. Reconstruction of the I-80/94 Structure over the Little Calumet River and N.I.C.T.D. R.O.W. will be let in separate contracts (Phase 2 and Phase 3), with each contract responsible for the removal and reconstruction to the limits shown.
  2. No structure work will be performed during Stage 1 of Phase 3, however the traffic configuration during this stage will require the Eastbound Lanes to be shifted over the centerline of the structure.

- NOTES:**
- Slip forming of median barrier is not allowed.
  - Existing Spans are lettered from west to east, starting with Span A for the westernmost span.
  - (\*\*) Plan dimensions relative to existing structures are subject to nominal construction variations.

ILLINOIS DEPARTMENT OF TRANSPORTATION  
F.A.I. ROUTE 80/94 (BORMAN EXPRESSWAY)  
OVER LITTLE CALUMET RIVER & N.I.C.T.D. R.O.W.  
**STAGE CONSTRUCTION DETAILS - SUPERSTRUCTURE**  
SECTION 2626.2-R-1  
LAKE COUNTY, INDIANA  
STATION 8+470.000  
STRUCTURE NO. I-80-1-8460 (EB & WB)  
DATE 07/04 (016-1003 & 016-1004)

**AMERICAN**  
CONSULTING ENGINEERS