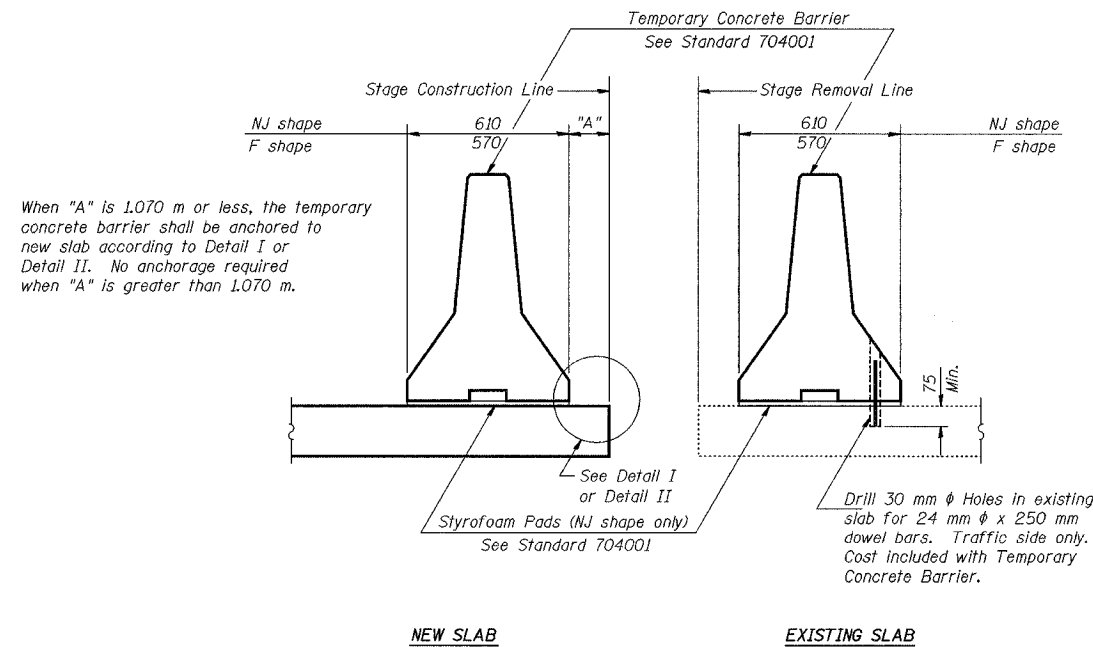
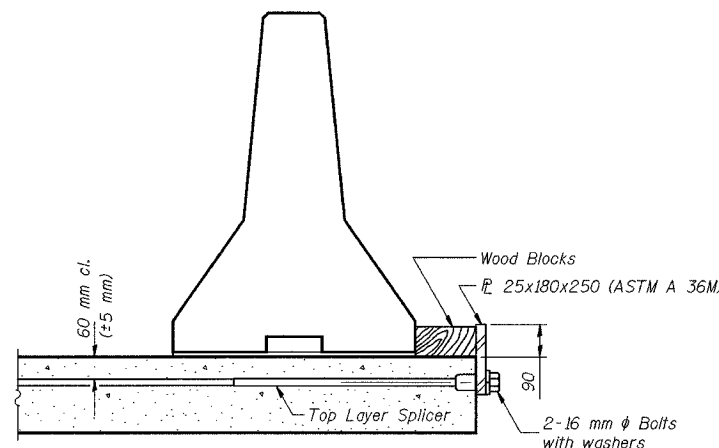


ROUTE NO.	SECTION	COUNTY	SHEET NO.	SHEET TOTAL	SHEET NO. S-5 72 SHEETS
F.A.I. 86-74	2626.2-R-1	LAKE COUNTY, INDIANA	452	237	
ILLINOIS		FED. AID PROJECT			

CONTRACT NO. 62113 INDOT DES. NO. 0100987

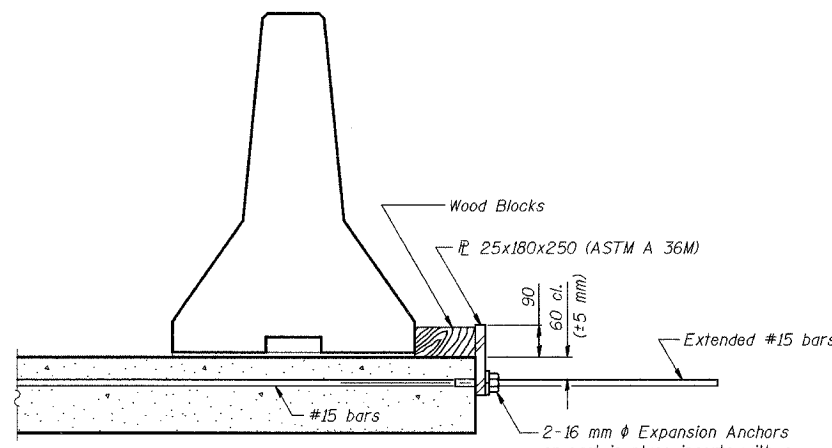


**SECTIONS THRU SLAB**



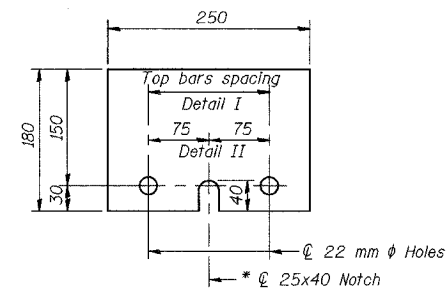
**DETAIL I**

The 25x180x250 Plate shall not be removed until Stage II Construction forms and reinforcement bars are in place.



**DETAIL II**

The 25x180x250 Plate shall not be removed until Stage II Construction forms and all reinforcement bars are in place and the concrete is ready to be placed.



**25x180x250**  
\* Required only with Detail II

DESIGNED	BHS
CHECKED	KFA
DRAWN	MJB
CHECKED	GSP

R-27 (M)

ILLINOIS DEPARTMENT OF TRANSPORTATION  
F.A.I. ROUTE 80/94 (BORMAN EXPRESSWAY)  
OVER LITTLE CALUMET RIVER & N.I.C.T.D. R.O.W.  
**TEMPORARY CONCRETE BARRIER**  
FOR STAGE CONSTRUCTION  
SECTION 2626.2-R-1  
LAKE COUNTY, INDIANA  
STATION 8+470.000  
STRUCTURE NO. I-80-1-8460 (EB & WB)  
DATE 07/04 (016-1003 & 016-1004)

**AMERICAN**  
CONSULTING ENGINEERS