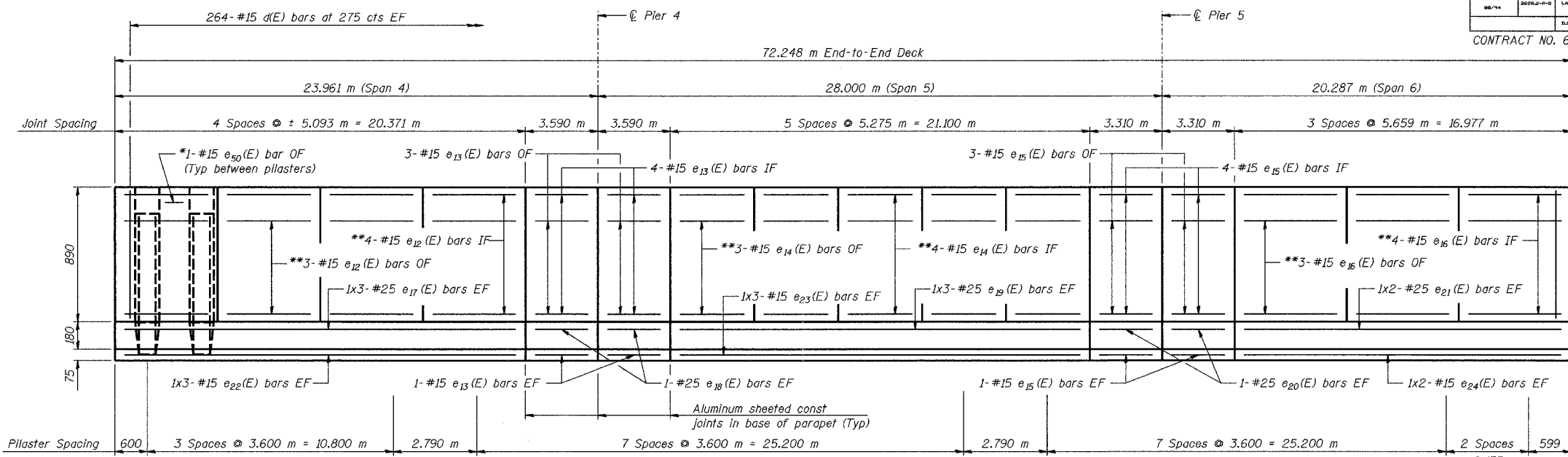
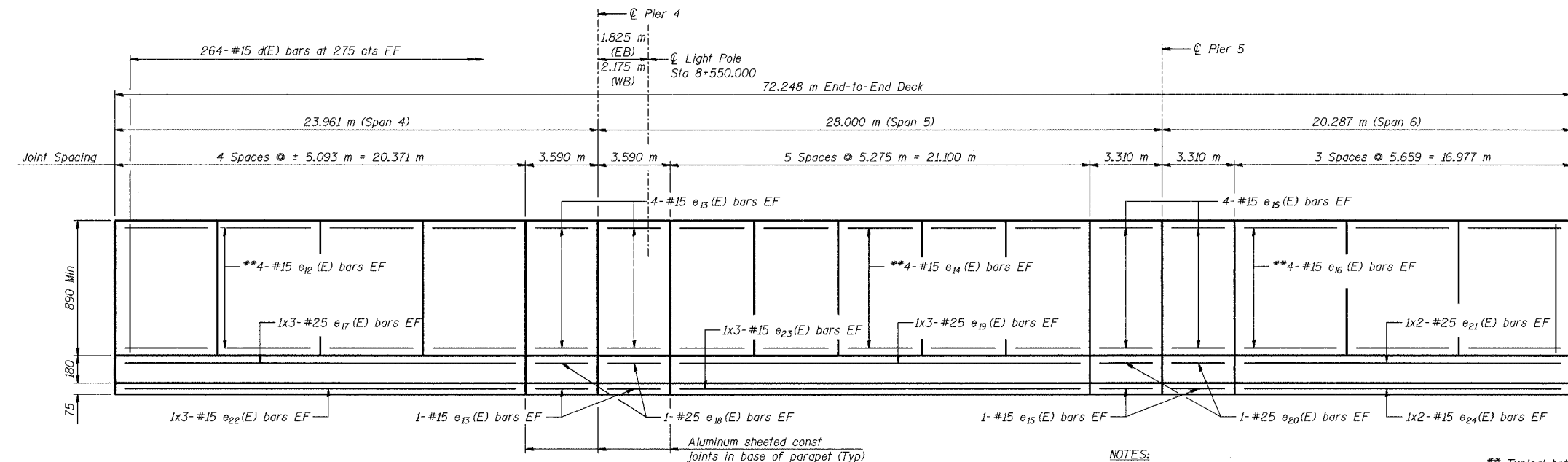


ROUTE NO.	SECTION	COUNTY	SHEET NO.	SHEET TOTAL	SHEET NO.
1-80/94	2626.2-R-1	LAKE COUNTY, INDIANA	452	260	72 SHEETS
ILLINOIS FEDERAL AID PROJECT					CONTRACT NO. 62113 INDOT DES. NO. 0100987



**INSIDE ELEVATION OF EXTERIOR PARAPETS**  
(Dimensions measured along inside face of parapet)



**INSIDE ELEVATION OF INTERIOR PARAPETS**  
(Dimensions measured along inside face of parapet)

**NOTES:**  
See Sheet No. S-29 for parapet details and interior parapet detail at light pole.  
See Sheet No. S-30 for pilaster details and Bill of Material.  
Reinforcement bars designated (E) shall be epoxy coated.  
Bars indicated thus 20 x 3- #15 etc. indicates 20 lines of bars with 3 lengths per line.  
All dimensions are in millimeters (mm) except as noted.  
\* Cut to fit e<sub>20</sub>(E) bars at construction joints and at non-standard pilaster spaces (3.600 m).

\*\* Typical between joints in upper portion of parapet.

DESIGNED	BHS
CHECKED	KFA
DRAWN	MJB
CHECKED	GSP

**LEGEND**  
EF - Each Face  
IF - Inside Face  
OF - Outside Face  
EB - Eastbound Structure  
WB - Westbound Structure

**MINIMUM BAR LAPS**  
#15 = 640  
#25 = 1,320 m

ILLINOIS DEPARTMENT OF TRANSPORTATION  
F.A.I. ROUTE 80/94 (BORMAN EXPRESSWAY)  
OVER LITTLE CALUMET RIVER & N.I.C.T.D. R.O.W.  
**PARAPET ELEVATIONS - UNIT 2**  
SECTION 2626.2-R-1  
LAKE COUNTY, INDIANA  
STATION 8+470.000  
STRUCTURE NO. I-80-1-8460 (EB & WB)  
DATE 07/04 (016-1003 & 016-1004)

**PHASE 3 FOR INFORMATION ONLY**

