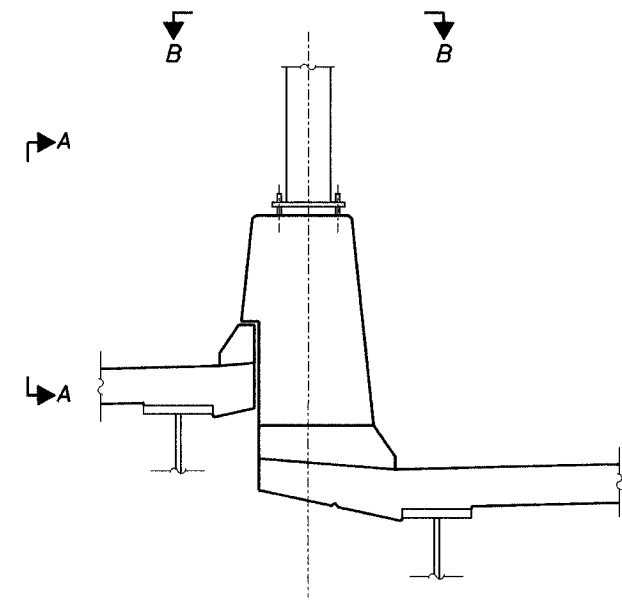
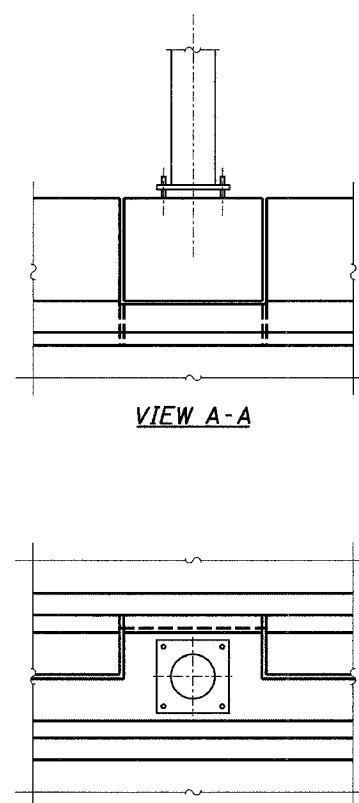


ROUTE NO.	SECTION	COUNTY	SHEET NO.	SHEET	SHEET NO.
1-80/94	2626.2-R-1	LAKE COUNTY, INDIANA	452	261	72 SHEETS
CONTRACT NO. 62113		INDOT DES. NO. 0100987			

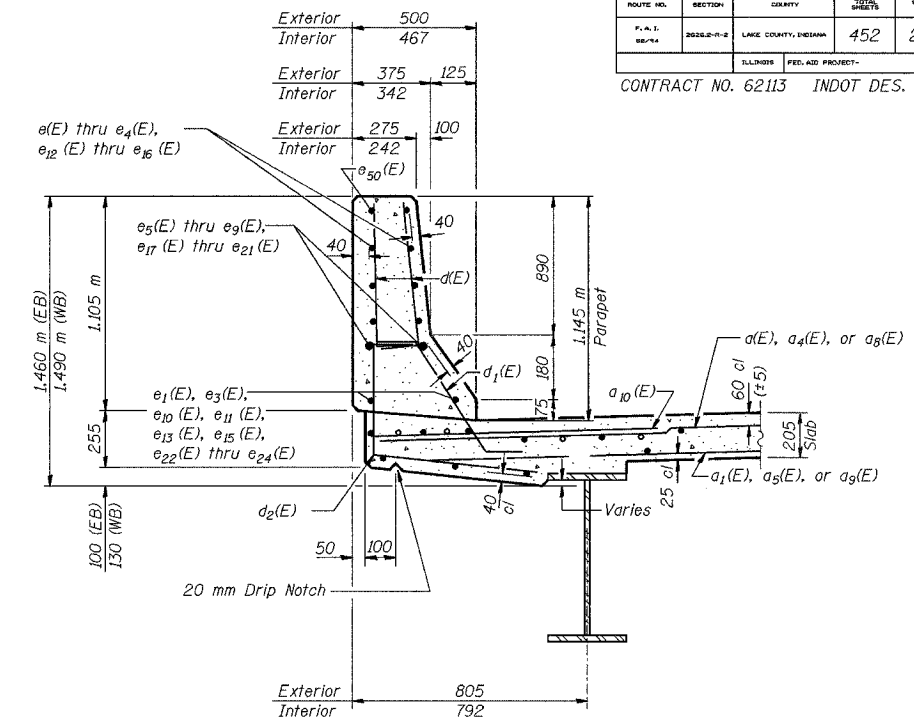


LIGHT POLE SUPPORT DETAIL
(Looking East)



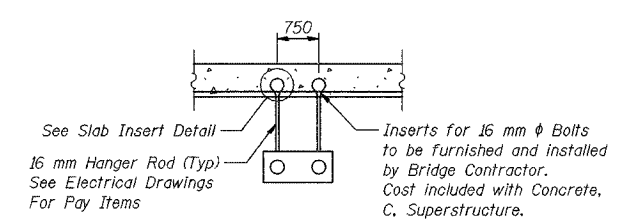
VIEW A-A

VIEW B-B



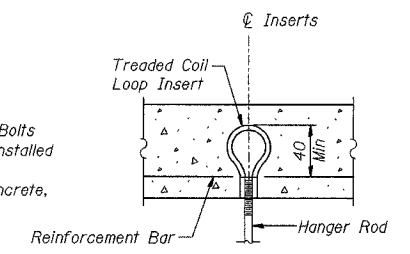
SECTION THRU PARAPETS

All concrete edges shall have a 20 mm chamfer.

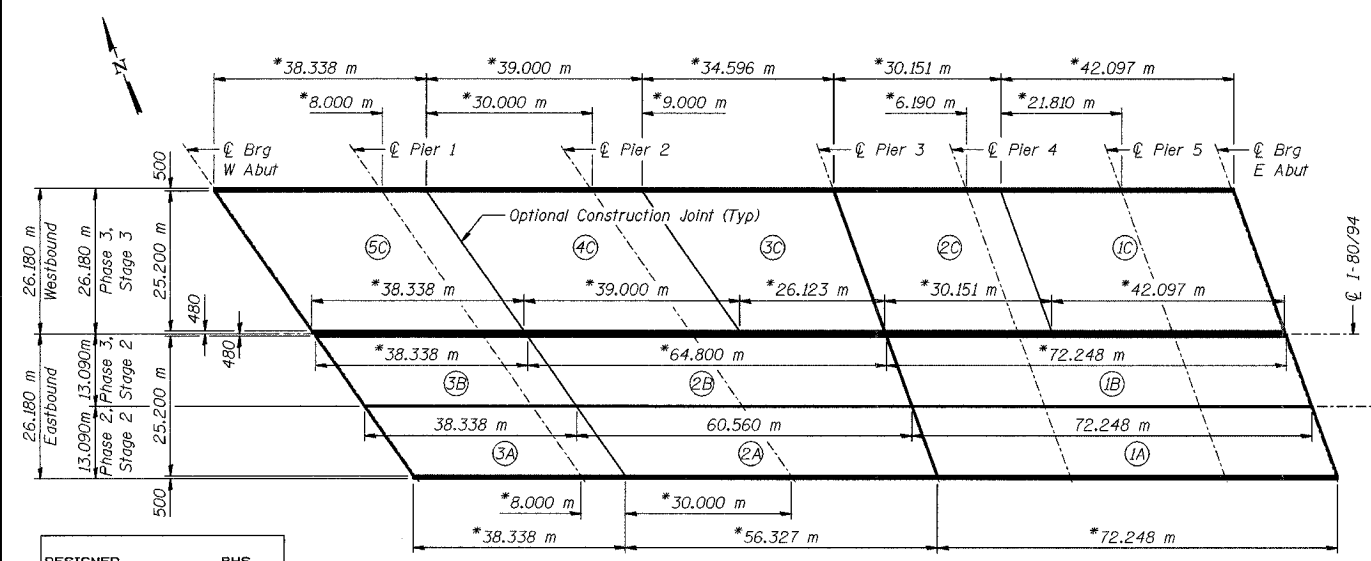


2 CONDUITS SUPPORT DETAIL

Max Spacing = 1.05 m



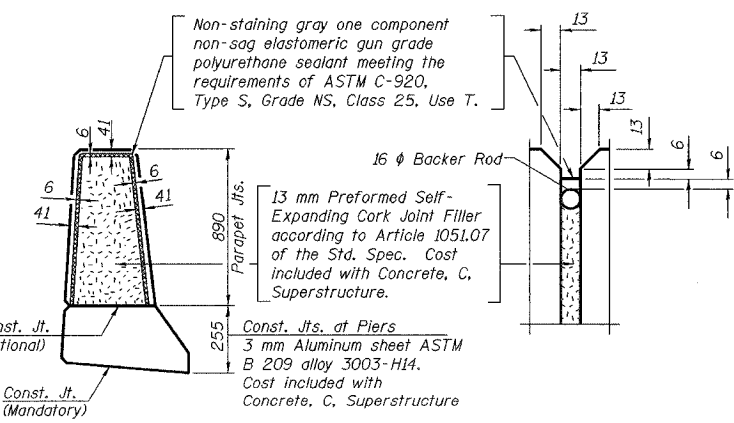
SLAB INSERT DETAIL



DECK POURING SEQUENCE

* Dimensions are measured along inside face of parapet.

DESIGNED	BHS
CHECKED	KFA
DRAWN	MJB
CHECKED	GSP



PARAPET JOINT DETAILS

PHASE 3 FOR INFORMATION ONLY

LEGEND

EB - Eastbound Structure
WB - Westbound Structure

NOTES:
Reinforcement bars designated (E) shall be epoxy coated.
All dimensions are in millimeters (mm) except as noted.

ILLINOIS DEPARTMENT OF TRANSPORTATION
F.A.I. ROUTE 80/94 (BORMAN EXPRESSWAY)
OVER LITTLE CALUMET RIVER & N.I.C.T.D. R.O.W.

SUPERSTRUCTURE DETAILS (1 OF 2)
SECTION 2626.2-R-1
LAKE COUNTY, INDIANA
STATION 8+470.000
STRUCTURE NO. I-80-1-8460 (EB & WB)
DATE 07/04 (016-1003 & 016-1004)

AMERICAN
CONSULTING ENGINEERS