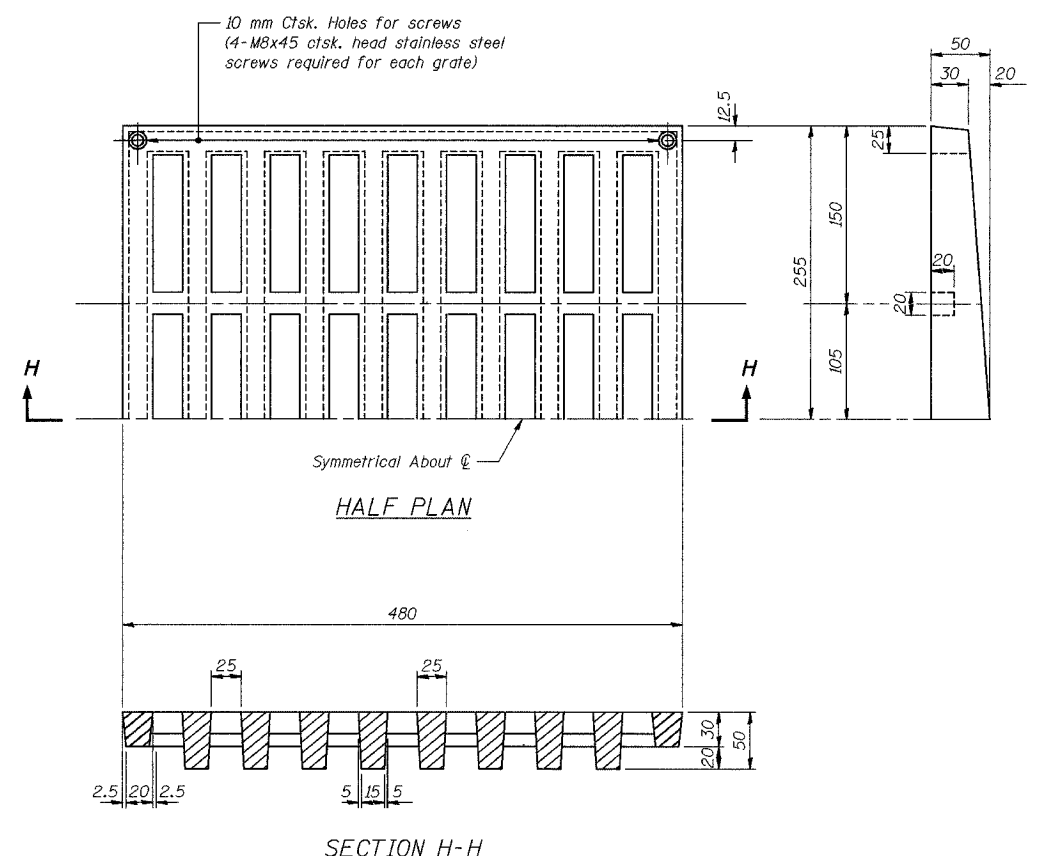
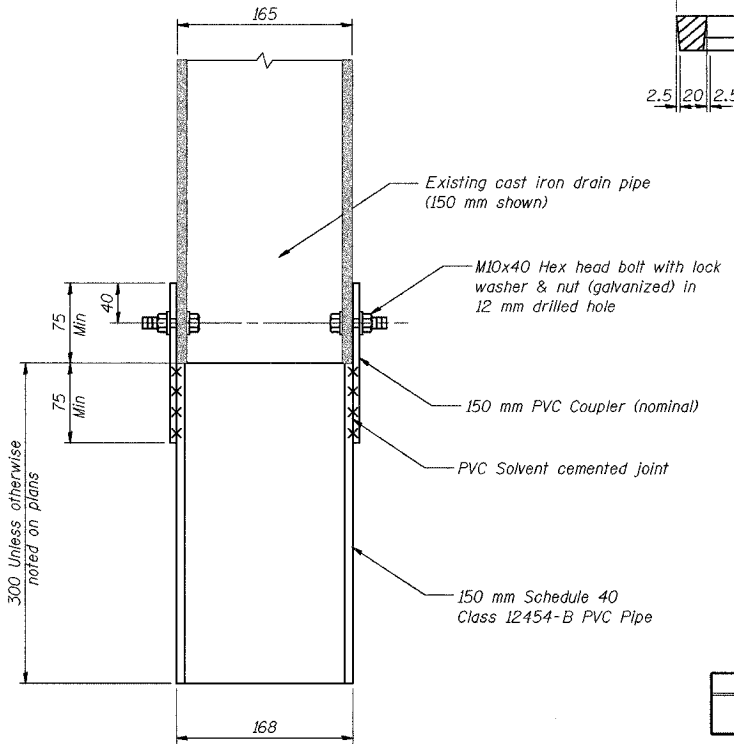


SECTION J-J                      HALF SECTION K-K  
**ROADWAY DRAIN TYPE OS**



SECTION H-H  
**GRATE D**

- GENERAL NOTES**
1. For attaching pipe to all drains, use M10x40 hex bolts with 2-M10 lock washers and 2-M10 nuts. (All parts galvanized)
  2. The approximate weight of the drain is 109.8 kg.
  3. Fit grate to box in shop and ship in place.
  4. This grate is used with Roadway Drain Type OS and weighs approximately 36.3 kg.
  5. Class 12454-B is an updated ASTM designation for Type I Grade 1 PVC pipe.
  6. Cost of the Grate, Frame, Downspout, Bolts, Washers and Nuts including complete installation of Scupper will be paid for at the unit bid price each for Drainage Structures Type OS.



**CAST IRON DRAIN EXTENSION**

**BILL OF MATERIAL**

Item	Unit	Total

**FOR INFORMATION ONLY**

DESIGNED	BHS
CHECKED	KFA
DRAWN	MJB
CHECKED	GSP

ILLINOIS DEPARTMENT OF TRANSPORTATION  
F.A.I. ROUTE 80/94 (BORMAN EXPRESSWAY)  
OVER LITTLE CALUMET RIVER & N.I.C.T.D. R.O.W.

**DRAINAGE SCUPPER DETAILS**  
SECTION 2626.2-R-1  
LAKE COUNTY, INDIANA  
STATION 8+470.000  
STRUCTURE NO. I-80-1-8460 (EB & WB)  
DATE 07/04 (016-1003 & 016-1004)

**AMERICAN**  
CONSULTING ENGINEERS