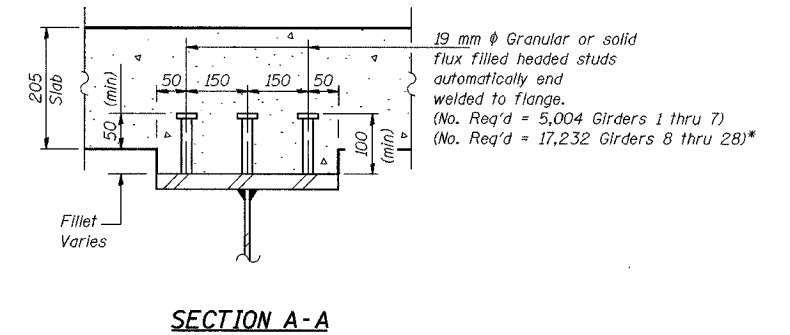


**GIRDER ELEVATION**

All structural steel on this sheet shall be AASHTO M 270M Grade 345W.

**VARIABLE DIMENSION TABLE**

GIRDER	'C'	'D'	'E'	'F'	'G'	'H'	'I'	'J'	'K'	'L'	'M'	'N'
* 28	43.213	36.813	76	23.560	12.280	0.690	70	16.800	19.390	2.653	112	33.600
* 27	42.577	36.177	75	23.250	12.590	0.690	71	17.040	19.150	2.617	110	33.000
* 26	41.942	35.542	75	23.250	12.590	0.690	72	17.280	18.910	2.582	108	32.400
* 25	41.306	34.906	75	23.250	12.590	0.700	73	17.520	18.660	2.546	106	31.800
* 24	40.671	34.271	75	23.250	12.590	0.700	74	17.760	18.420	2.511	104	31.200
* 23	40.035	33.635	74	22.940	12.900	0.700	75	18.000	18.180	2.475	102	30.600
* 22	39.400	33.000	74	22.940	12.900	0.700	76	18.240	17.940	2.440	100	30.000
* 21	38.764	32.364	74	22.940	12.900	0.710	77	18.480	17.690	2.404	98	29.400
* 20	38.129	31.729	74	22.940	12.900	0.710	78	18.720	17.450	2.369	96	28.800
* 19	37.493	31.093	73	22.630	13.210	0.710	79	18.960	17.210	2.333	94	28.200
* 18	36.858	30.458	73	22.630	13.210	0.710	80	19.200	16.970	2.298	92	27.600
* 17	36.222	29.822	73	22.630	13.210	0.720	81	19.440	16.720	2.262	90	27.000
* 16	35.587	29.187	73	22.630	13.210	0.720	82	19.680	16.480	2.227	88	26.400
* 15	34.951	28.551	73	22.630	13.210	0.720	84	20.160	16.000	1.891	87	26.100
* 14	34.410	28.010	73	22.630	13.210	0.860	63	20.790	15.230	1.350	87	26.100
* 13	33.775	27.375	72	22.320	13.520	0.860	63	20.790	15.230	1.615	84	25.200
* 12	33.139	26.739	72	22.320	13.520	0.860	63	20.790	15.230	1.579	82	24.600
* 11	32.504	26.104	72	22.320	13.520	0.860	64	21.120	14.900	1.544	80	24.000
* 10	31.868	25.468	72	22.320	13.520	0.860	64	21.120	14.900	1.508	78	23.400
* 9	31.233	24.833	72	22.320	13.520	0.860	65	21.450	14.570	1.473	76	22.800
* 8	30.597	24.197	72	22.320	13.520	0.860	65	21.450	14.570	1.437	74	22.200
* 7	29.962	23.562	71	22.010	13.830	0.870	66	21.780	14.230	1.702	71	21.300
* 6	29.326	22.926	71	22.010	13.830	0.870	66	21.780	14.230	1.666	69	20.700
* 5	28.691	22.291	71	22.010	13.830	0.870	67	22.110	13.900	1.631	67	20.100
* 4	28.055	21.655	71	22.010	13.830	0.870	67	22.110	13.900	1.595	65	19.500
* 3	27.420	21.020	71	22.010	13.830	0.870	68	22.440	13.570	1.560	63	18.900
* 2	26.784	20.384	71	22.010	13.830	0.870	68	22.440	13.570	1.524	61	18.300
* 1	26.149	19.749	71	22.010	13.830	0.870	69	22.770	13.240	1.489	59	17.700



**NOTES:**  
 See Sheet No. S-36 for field splice details and table of moments and shears.  
 See Sheet No. S-37 for cross frame details.  
 NTR denotes notch toughness requirements.  
 All dimensions are in millimeters (mm) except as noted.

DESIGNED	BHS
CHECKED	KFA
DRAWN	MJB
CHECKED	GSP

ILLINOIS DEPARTMENT OF TRANSPORTATION  
 F.A.I. ROUTE 80/94 (BORMAN EXPRESSWAY)  
 OVER LITTLE CALUMET RIVER & N.I.C.T.D. R.O.W.  
**FRAMING DETAILS - UNIT 1 (1 OF 3)**  
**SECTION 262.2-R-1**  
**LAKE COUNTY, INDIANA**  
**STATION 8+470.000**  
**STRUCTURE NO. I-80-1-8460 (EB & WB)**  
 DATE 07/04 (016-1003 & 016-1004)

**AMERICAN**  
 CONSULTING ENGINEERS

**\* FOR INFORMATION ONLY**