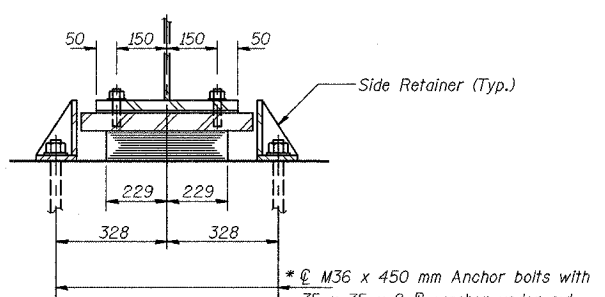
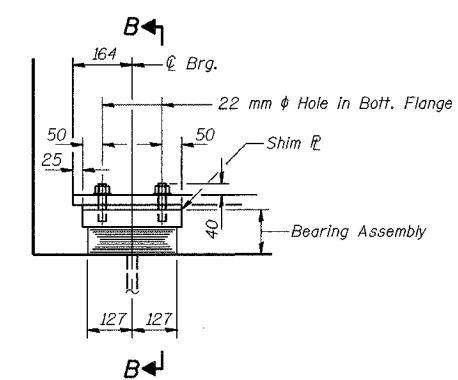


ELEVATION AT ABUT.

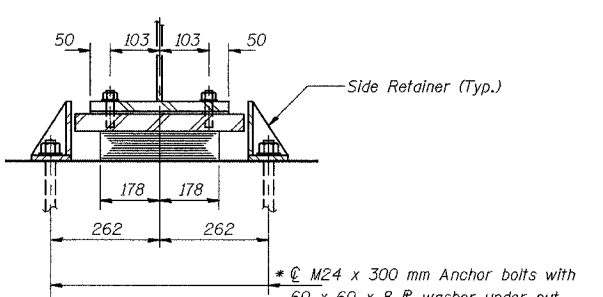


SECTION A-A

TYPE I ELASTOMERIC WEST EXP. BRG. AT PIER 3 GIRDERS 15 - 28



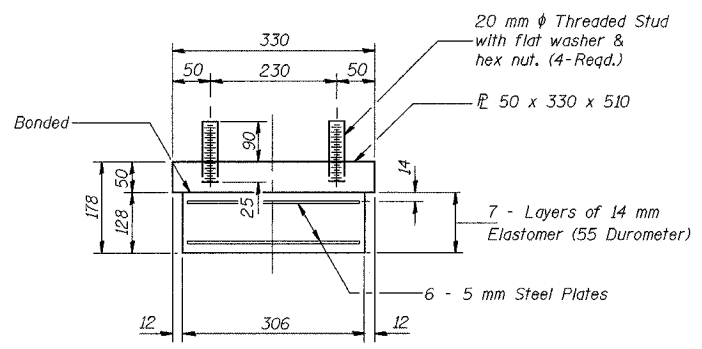
ELEVATION AT ABUT.



SECTION B-B

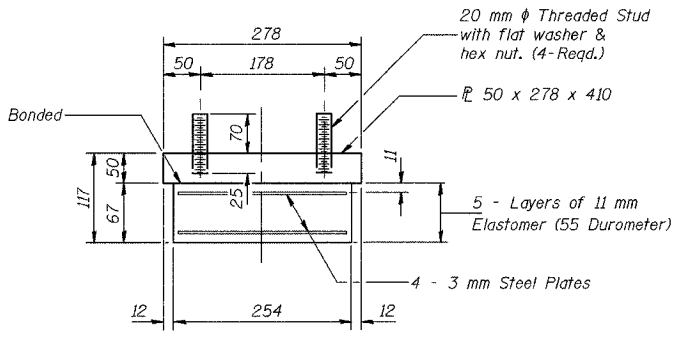
TYPE I ELASTOMERIC EAST EXP. BRG. AT PIER 3

Notes: See Sheet S-47 for Anchor Bolt Installation. All dimensions are in millimeters (mm) except as noted.



BEARING ASSEMBLY

Note: Shim plates shall not be placed under Bearing Assembly.

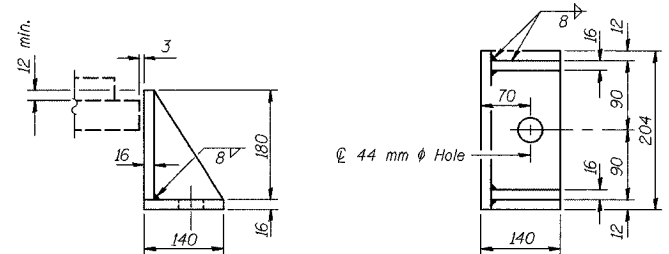


BEARING ASSEMBLY

Note: Shim plates shall not be placed under Bearing Assembly.

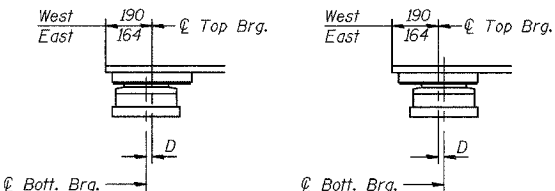
Note: The 3 mm TFE sheet shall be bonded directly to the top steel plate with a two-component, medium viscosity epoxy resin, conforming to the requirements of the Federal Specification MMM-A-134, Type I. The bond agent shall be applied on the full area of the contact surfaces.

Bonding of 3 mm TFE sheet during vulcanizing process will be permitted provided the process and method of adjusting assembly height is approved by the Engineer.



SIDE RETAINER

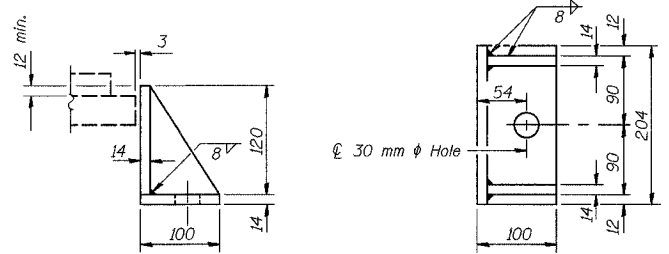
Equivalent rolled angle with stiffeners will be allowed in lieu of welded plates. Mass included with Structural Steel.



(Move bott. brg. away from fixed brg.) (Move bott. brg. toward fixed brg.)

SETTING ANCHOR BOLTS AT EXP. BRG.

D = 1 mm per each 10 m of expansion for every 8 °C temp. change from the normal temp. of 10 °C.



SIDE RETAINER

Equivalent rolled angle with stiffeners will be allowed in lieu of welded plates. Mass included with Structural Steel.

BILL OF MATERIAL

Item	Unit	Total
* Furnishing Elastomeric Bearing Assembly, Type I	Each	42

DESIGNED	BHS
CHECKED	KFA
DRAWN	MJB
CHECKED	GSP

*** FURNISHING BEARINGS AND ANCHOR BOLTS FOR BEARINGS ERECTED IN PHASE 3 ARE NOT INCLUDED IN THIS CONTRACT**

ILLINOIS DEPARTMENT OF TRANSPORTATION
 F.A.I. ROUTE 80/94 (BORMAN EXPRESSWAY)
 OVER LITTLE CALUMET RIVER & N.I.C.T.D. R.O.W.
 BEARING DETAILS (3 OF 5)
 SECTION 2626.2-R-1
 LAKE COUNTY, INDIANA
 STATION 8+470.000
 STRUCTURE NO. I-80-1-8460 (EB & WB)
 DATE 07/04 (016-1003 & 016-1004)
AMERICAN
 CONSULTING ENGINEERS