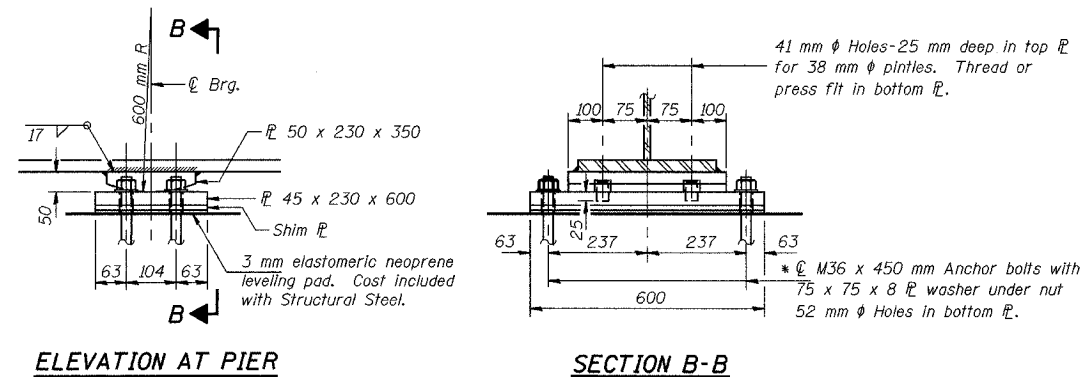


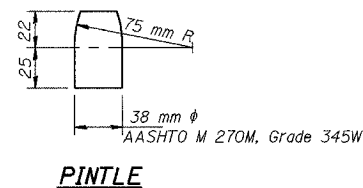
ROUTE NO.	SECTION	COUNTY	SHEETS	SHEET NO.	SHEET NO. S-45 72 SHEETS
F.A.I. NO./A	ENGINEER	LAKE COUNTY, INDIANA	452	277	
DRAWN		FED. AID PROJECT		CONTRACT NO. 62113 INDOT DES. NO. 0100987	



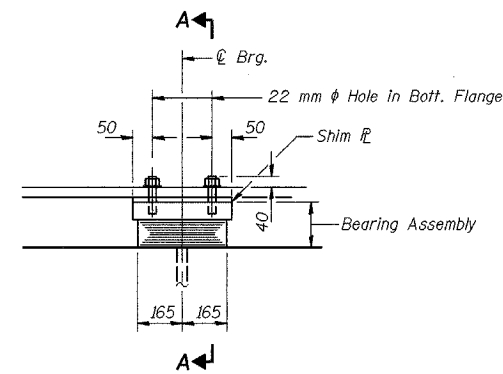
**ELEVATION AT PIER**

**SECTION B-B**

**FIXED BEARING AT PIER 4**



**PINTLE**

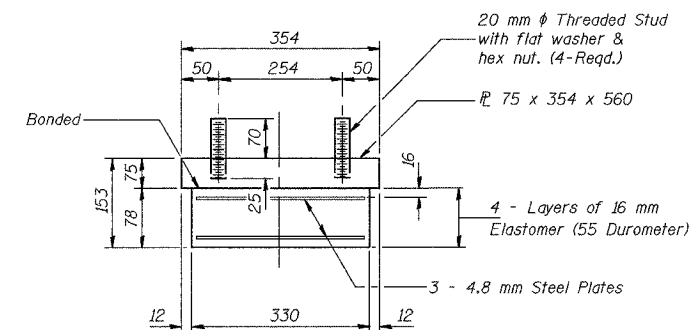


**ELEVATION AT ABUT.**

**SECTION A-A**

**TYPE I ELASTOMERIC EXP. BRG. AT PIER 5**

Notes: Anchor bolts at fixed bearings may be built into the masonry. See Sheet S-47 for Anchor Bolt Installation. All dimensions are in millimeters (mm) except as noted.

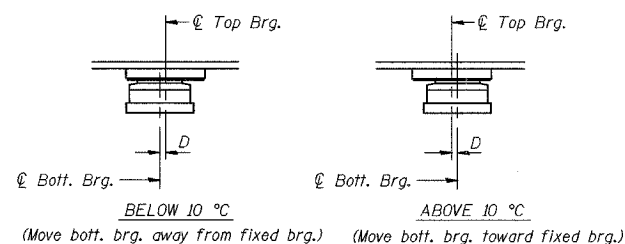


**BEARING ASSEMBLY**

Note: Shim plates shall not be placed under Bearing Assembly.

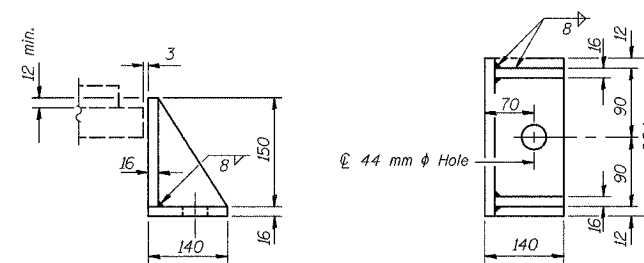
Note: The 3 mm TFE sheet shall be bonded directly to the top steel plate with a two-component, medium viscosity epoxy resin, conforming to the requirements of the Federal Specification MMM-A-134, Type I. The bond agent shall be applied on the full area of the contact surfaces.

Bonding of 3 mm TFE sheet during vulcanizing process will be permitted provided the process and method of adjusting assembly height is approved by the Engineer.



**SETTING ANCHOR BOLTS AT EXP. BRG.**

D = 1 mm per each 10 m of expansion for every 8 °C temp. change from the normal temp. of 10 °C.



**SIDE RETAINER**

Equivalent rolled angle with stiffeners will be allowed in lieu of welded plates. Mass included with Structural Steel.

**BILL OF MATERIAL**

Item	Unit	Total
* Furnishing Elastomeric Bearing Assembly, Type I	Each	28

DESIGNED	BHS
CHECKED	KFA
DRAWN	MJB
CHECKED	GSP

**\* FURNISHING BEARINGS AND ANCHOR BOLTS FOR BEARINGS ERECTED IN PHASE 3 ARE NOT INCLUDED IN THIS CONTRACT**

ILLINOIS DEPARTMENT OF TRANSPORTATION  
 F.A.I. ROUTE 80/94 (BORMAN EXPRESSWAY)  
 OVER LITTLE CALUMET RIVER & N.I.C.T.D. R.O.W.

**BEARING DETAILS (4 OF 5)**  
**SECTION 2626.2-R-1**  
**LAKE COUNTY, INDIANA**  
**STATION 8+470.000**  
**STRUCTURE NO. I-80-1-8460 (EB & WB)**  
 DATE 07/04 (016-1003 & 016-1004)

**AMERICAN**  
 CONSULTING ENGINEERS