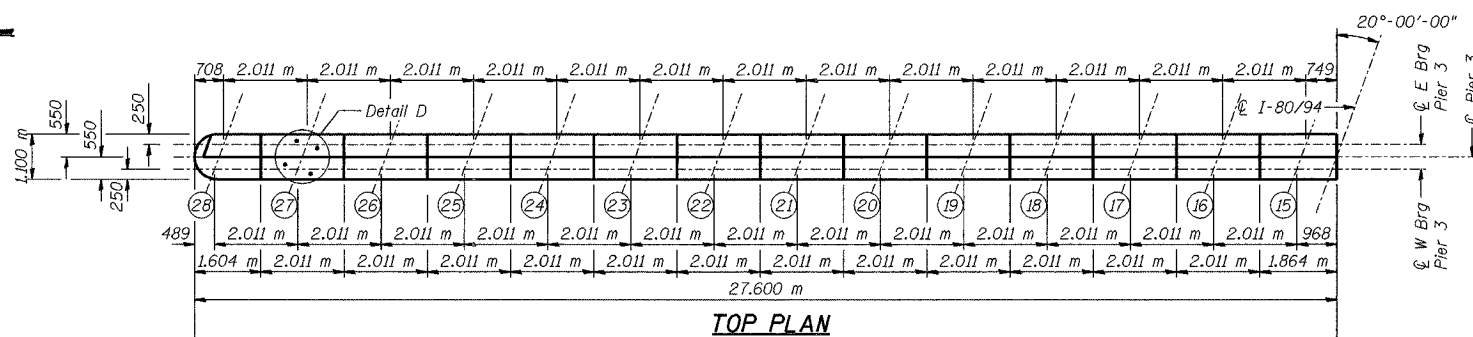
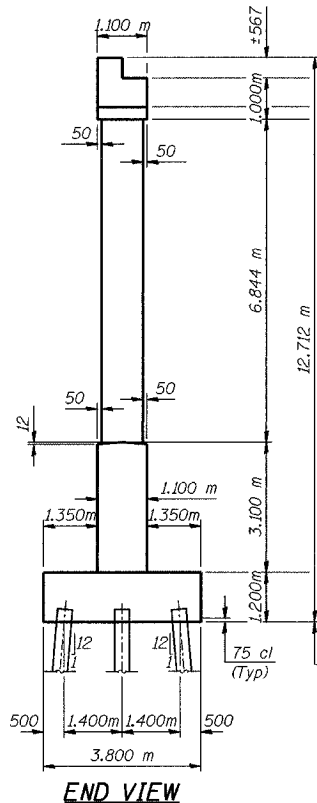


BEARING SEAT ELEVATIONS

Girder or Beam	Pier 3 - W Brg	Pier 3 - E Brg
28	190.044	190.612
27	190.091	190.658
26	190.138	190.705
25	190.184	190.752
24	190.231	190.799
23	190.278	190.845
22	190.325	190.892
21	190.371	190.939
20	190.418	190.985
19	190.464	191.032
18	190.511	191.078
17	190.557	191.125
16	190.604	191.171
15	190.650	191.217



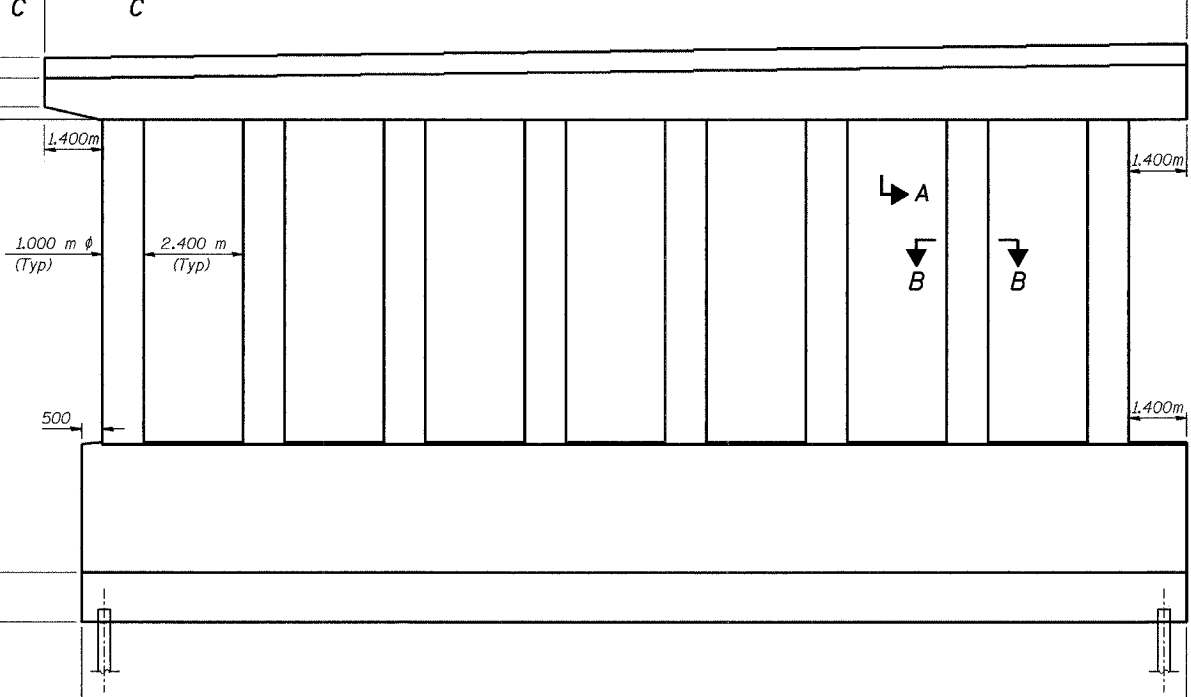
TOP PLAN



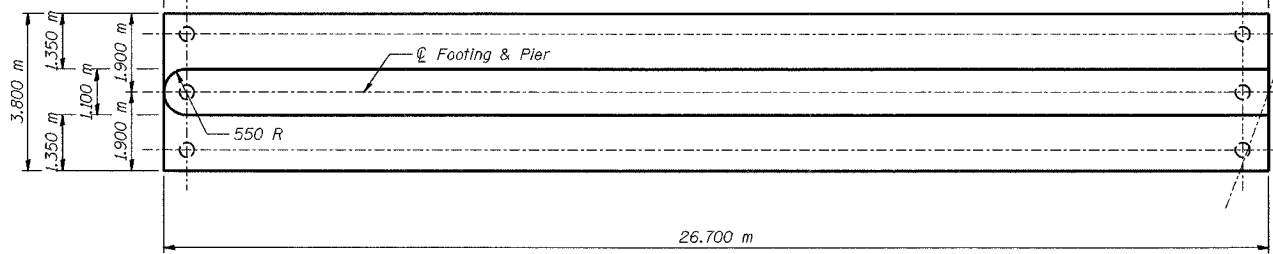
END VIEW

PILE DATA
 Type - 356 φ Metal Shell
 Capacity - 500 kN
 Est Length - 13.4 m
 No Req'd - xx Total
 Test Piles - 0

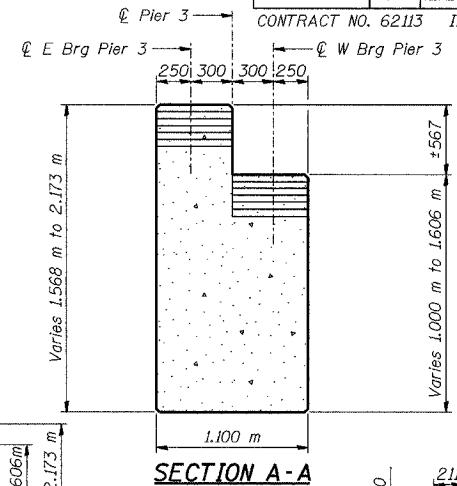
DESIGNED	BHS
CHECKED	KFA
DRAWN	MJB
CHECKED	GSP



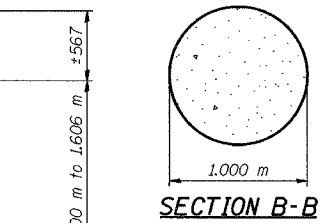
ELEVATION
(Looking East)



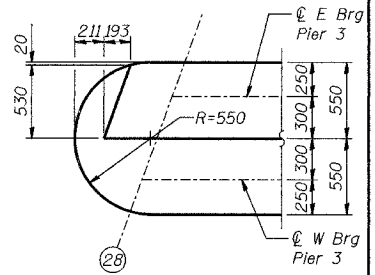
FOOTING PLAN



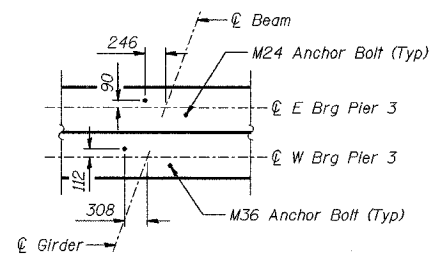
SECTION A-A



SECTION B-B



VIEW C-C



DETAIL D
ANCHOR BOLT LAYOUT

NOTES:
 See Sheet No S-60 for Bill of Material.
 Space reinforcement in cap to miss anchor bolts.
 Pour steps monolithically with cap.
 Reinforcement bars designated (E) shall be epoxy coated.
 Bars indicated thus 20 x 3-#15 etc. indicates 20 lines of bars with 3 lengths per line.
 All dimensions are in millimeters (mm) except as noted.
 Apply Surface Seal to top surface of bearing seat and vertical faces of steps.

LEGEND
 EF - Each Face
MINIMUM BAR LAPS
 #15 bars = 640
 #20 bars = 790
 #25 bars = 1320
 #30 bars = 1850

ILLINOIS DEPARTMENT OF TRANSPORTATION
 F.A.L. ROUTE 80/94 (BORMAN EXPRESSWAY)
 OVER LITTLE CALUMET RIVER & N.I.C.T.D. R.O.W.
PIER 3 - WESTBOUND
SECTION 2626.2-R-1
 LAKE COUNTY, INDIANA
 STATION 8+470.000
STRUCTURE NO. I-80-1-8460 (EB & WB)
 DATE 07/04 (016-1003 & 016-1004)
AMERICAN
 CONSULTING ENGINEERS

FOR INFORMATION ONLY

ROUTE NO.	SECTION	COUNTY	SHEET NO.	SHEET	SHEET NO. S-57
F.A.L. 80/94	2626.2-R-1	LAKE COUNTY, INDIANA	452	289	72 SHEETS

CONTRACT NO. 62113 INDOT DES. NO. 0100987