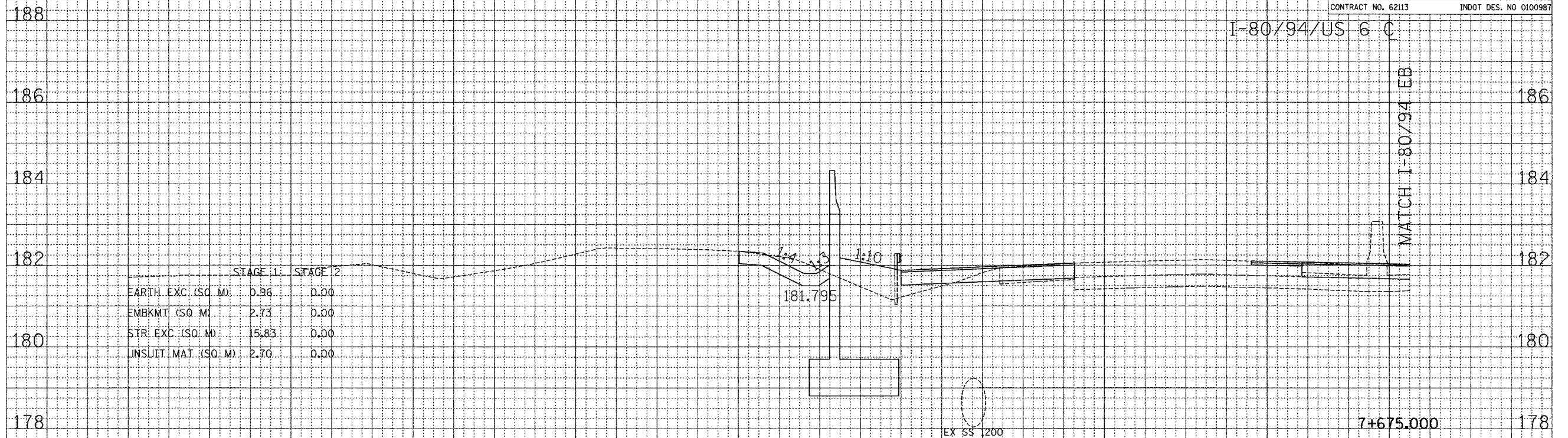


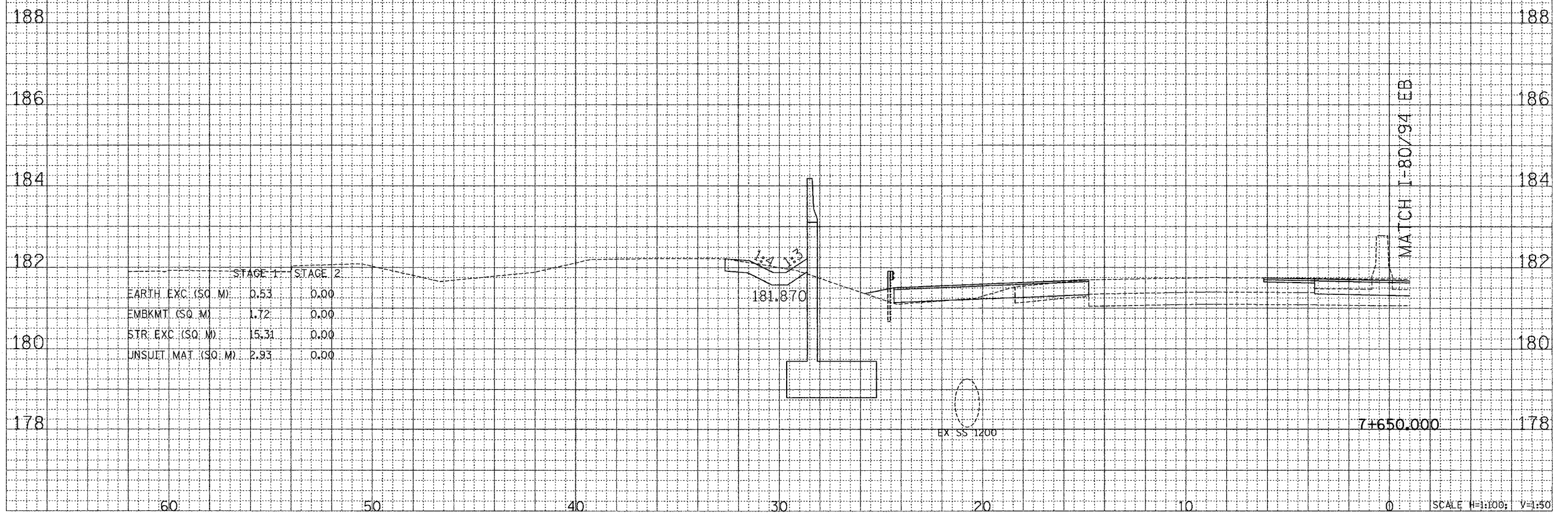
F.A.I. RTE.	SECTION	COUNTY	TOTAL SHEETS	SHEET NO.
80/94	2626.2-R-1	COOK	452	333
STA.		TO STA.		
FED. ROAD DIST. NO.		ILLINOIS FED. AID PROJECT		
CONTRACT NO. 62113		INDOT DES. NO 0100987		

I-80/94/US 6 C

FINAL SURVEY	SURVEYED	BY	DATE
NOTE BOOK	PLOTTED		
NO.	DATE		
	AREAS		
	CHECKED		



ORIGINAL SURVEY	SURVEYED	BY	DATE
NOTE BOOK	PLOTTED		
NO.	DATE		
	AREAS		
	CHECKED		



CROSS SECTION - I-80/94/US 6

Small vertical text at the bottom right corner, likely a file path or version number.