

**PAVER TERMINATION DETAIL**  
NOT TO SCALE

LAYOUT	1/20/15
DRAWN	12/18/15
REVIEWED	12/18/15

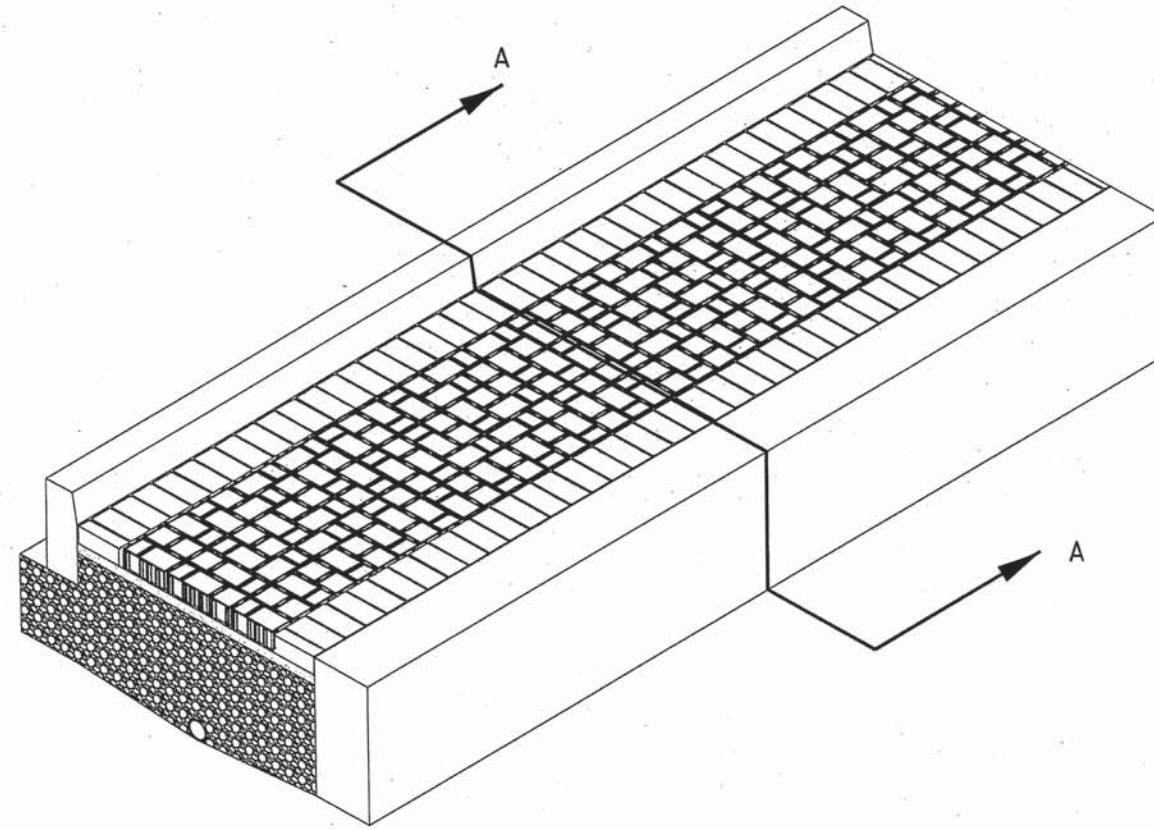
FILE NAME =	I:\11jobs\11L02038\CAD\Road\Sheet\c-181PaverLayout.dgn	USER NAME =	brast00993	DESIGNED -	MGD	REVISED -	02/19/16
Default		PLOT SCALE =	39.9999' / 1"	DRAWN -	RLA	REVISED -	
		PLOT DATE =	2/19/2016	CHECKED -	MGD	REVISED -	
				DATE -	12/18/15	REVISED -	

**STATE OF ILLINOIS**  
**DEPARTMENT OF TRANSPORTATION**

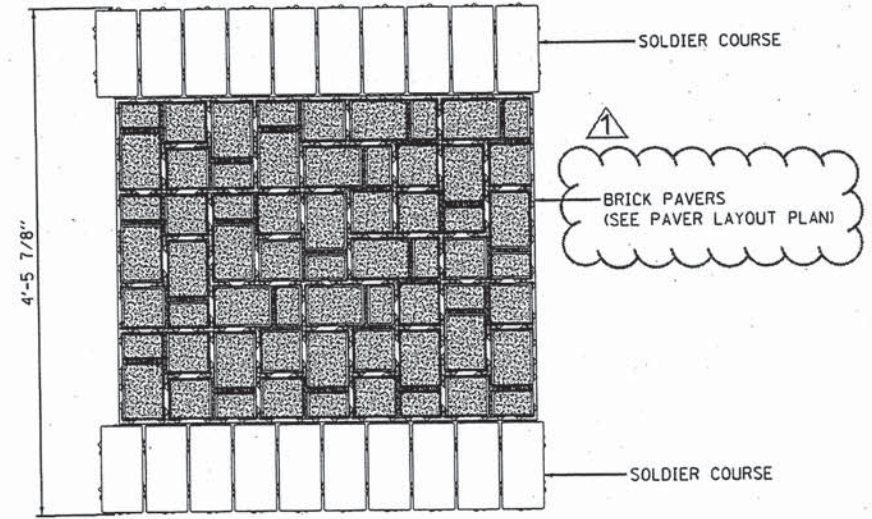
**SHERIDAN ROAD**  
**PAVER LAYOUT PLAN**

SCALE: 1"=20' SHEET OF SHEETS STA. TO STA.

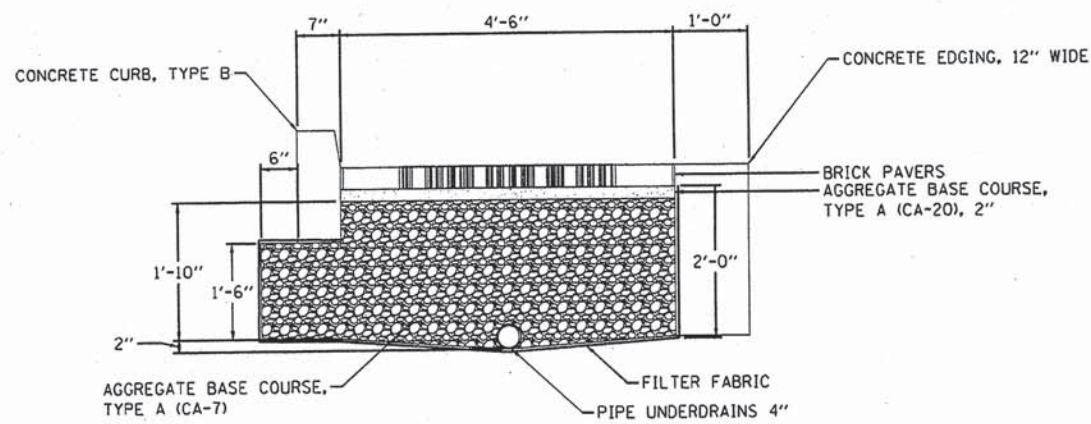
F.A.U. RTE.	SECTION	COUNTY	TOTAL SHEETS	SHEET NO.
6595	11-00358-00-BR	PEORIA	47	35
CONTRACT NO.89658				
ILLINOIS FED. AID PROJECT BRN-50931711				



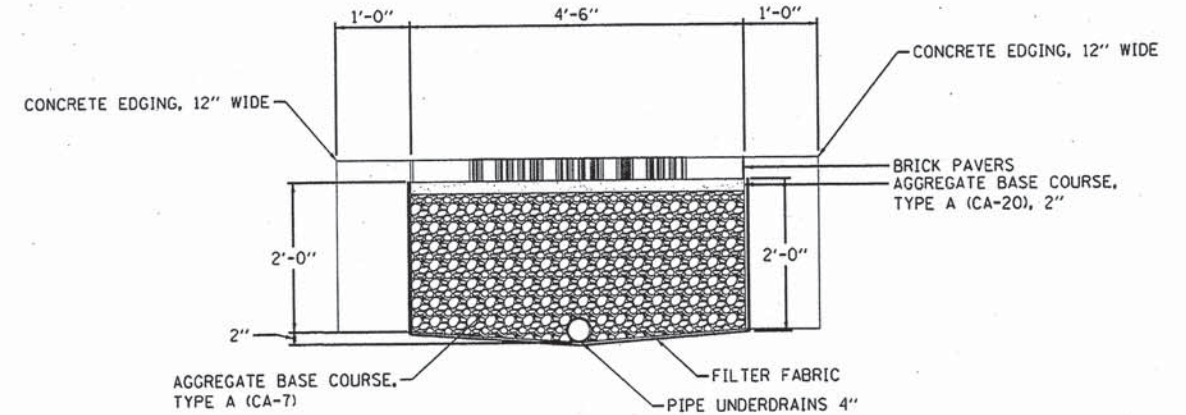
ISOMETRIC VIEW



BRICK PAVER PATTERN  
 (SURFACE VIEW)



SECTION A-A  
 WITH CURB



SECTION A-A  
 AT INTERSECTIONS

LAYOUT	MGD	1/20/15
DRAWN	RLA	12/18/15
REVIEWED	MGD	12/18/15

FILE NAME = I:\11jobs\11L02038\CAD\Road\Sheet\c-503- Detail-PaverBikeLane.dgn	USER NAME = brest00993	DESIGNED - MGD	REVISED - 02/19/16
PLOT SCALE = 10.0000' / in.	CHECKED - MGD	DRAWN - RLA	REVISED -
PLOT DATE = 2/19/2016	DATE - 12/18/15		REVISED -

STATE OF ILLINOIS  
 DEPARTMENT OF TRANSPORTATION

SHERIDAN ROAD  
 PAVER BIKE LANE DETAIL

SCALE: NTS SHEET OF SHEETS STA. TO STA.

F.A.U. RTE. 6595	SECTION 11-00358-00-BR	COUNTY PEORIA	TOTAL SHEETS 47	SHEET NO. 36
CONTRACT NO. 89658				
ILLINOIS FED. AID PROJECT BRM-5093171				