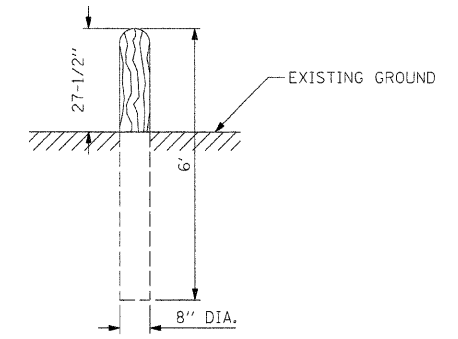


*NOTE: AREAS OF PAVEMENT REMOVAL AND REPLACEMENT SHALL BE COORDINATED WITH THE SITE MANAGER



FILE NAME =	USER NAME = #USER#	DESIGNED - S.D.K.	REVISED -	STATE OF ILLINOIS DEPARTMENT OF TRANSPORTATION	SITE MANAGER HOUSE PLAN SHEET BLACKHAWK STATE HISTORIC SITE			F.A. RTE.	SECTION	COUNTY	TOTAL SHEETS	SHEET NO.
#FILE#		DRAWN - S.D.K.	REVISED -		SCALE: 1"=10'	SHEET NO. 6 OF 6 SHEETS	STA.	TO STA.	ROCK ISLAND	6	6	
	PLOT SCALE = #SCALE#	CHECKED - R.H.D.	REVISED -		CONTRACT NO. 46070							
	PLOT DATE = #DATE#	DATE - 8/24/09	REVISED -		ILLINOIS FED. AID PROJECT							