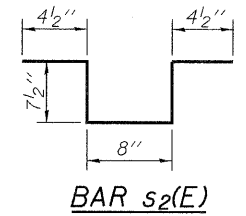
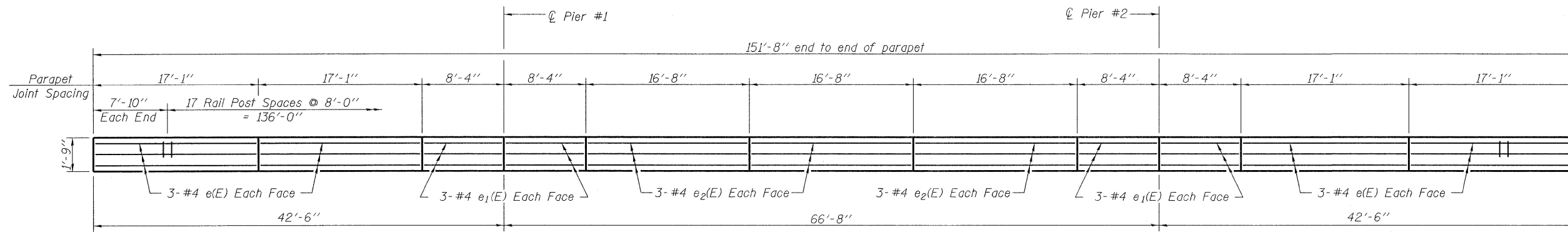


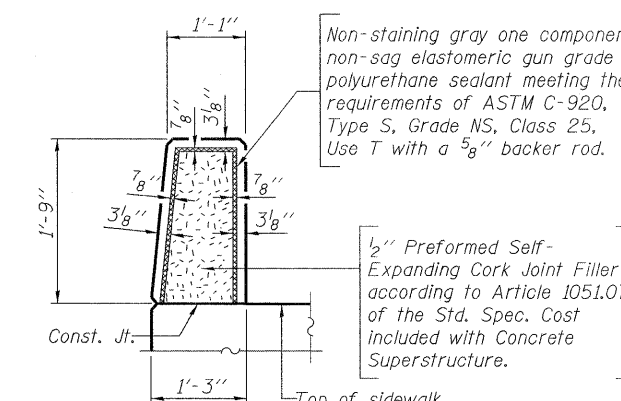
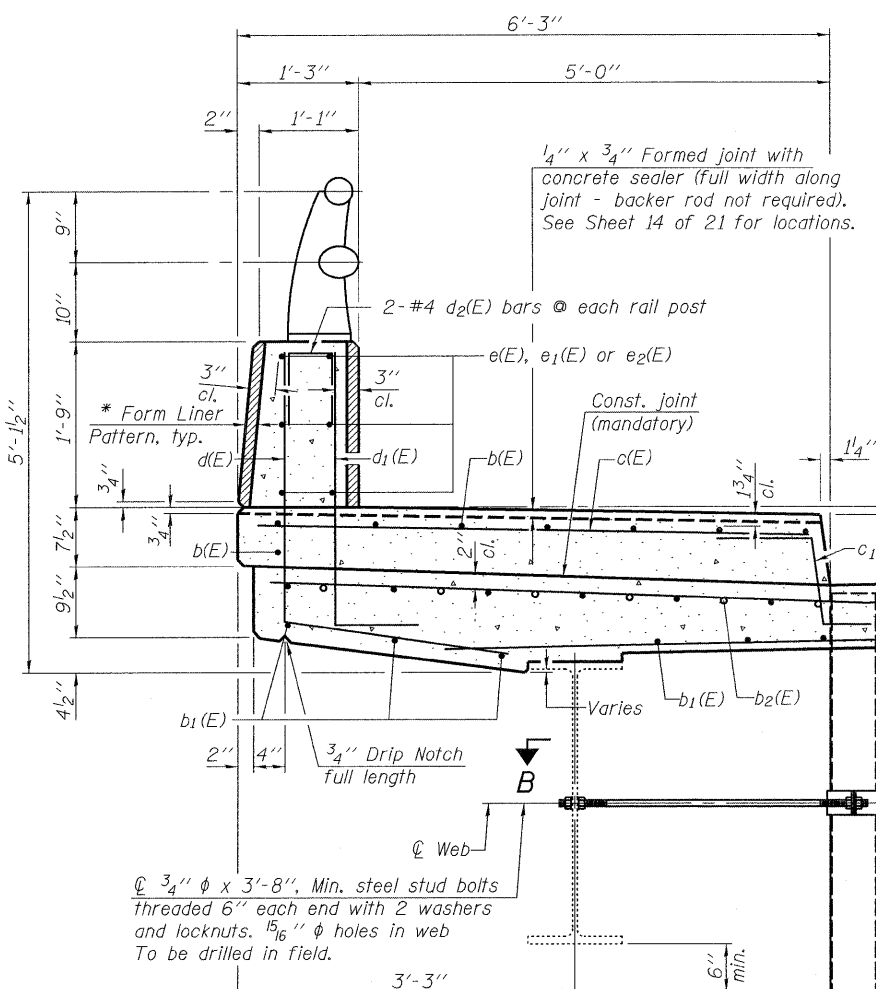
STATE OF ILLINOIS
DEPARTMENT OF TRANSPORTATION



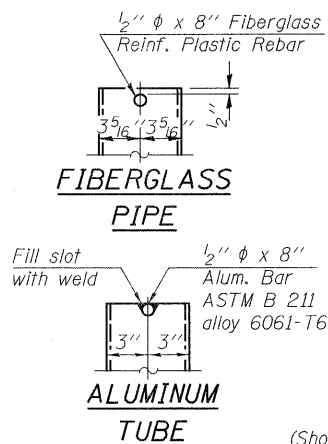
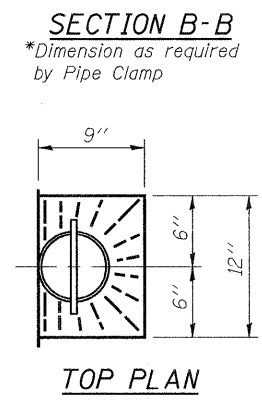
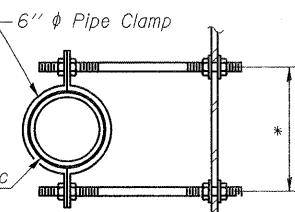
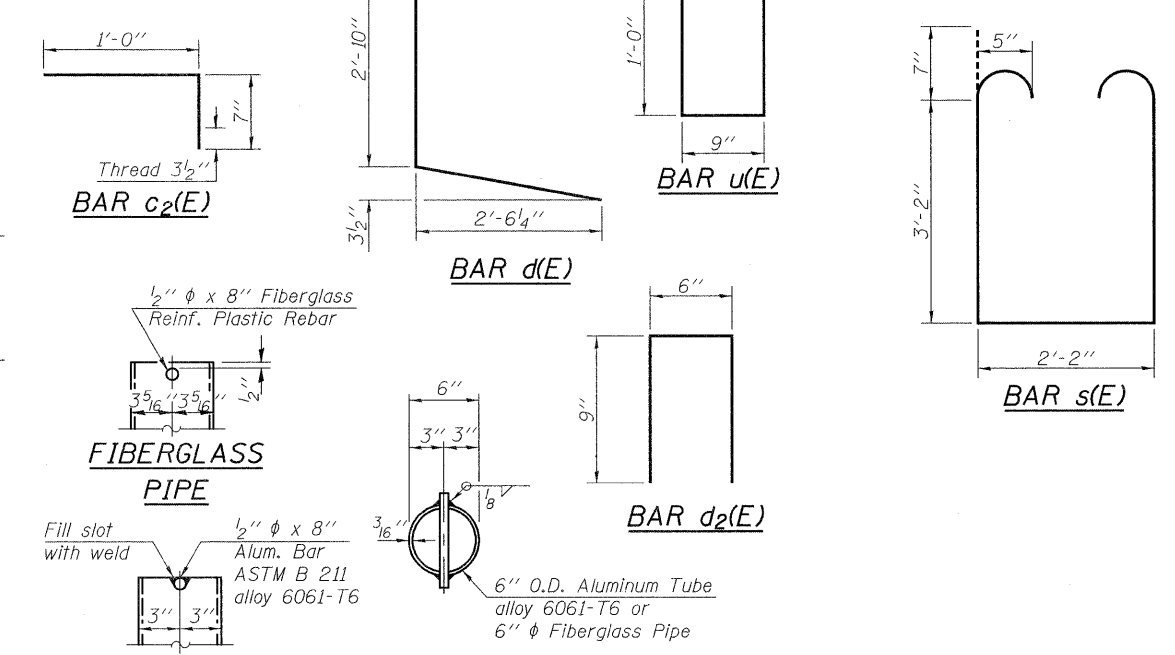
**SUPERSTRUCTURE
BILL OF MATERIAL**

Bar	No.	Size	Length	Shape
a(E)	182	#5	34'-3"	—
a1(E)	213	#5	35'-4"	—
a2(E)	182	#5	35'-3"	—
a3(E)	213	#5	36'-4"	—
b(E)	558	#5	26'-8"	—
b1(E)	295	#5	31'-8"	—
b2(E)	138	#6	35'-0"	—
c(E)	302	#5	5'-10"	—
c1(E)	302	#5	2'-5"	┌
c2(E)	302	#5	1'-7"	┌
c3(E)	151	#5	4'-9"	—
d(E)	302	#4	5'-4"	L
d1(E)	302	#6	3'-9"	L
d2(E)	72	#4	2'-0"	┐
e(E)	48	#4	16'-4"	—
e1(E)	48	#4	8'-0"	—
e2(E)	36	#4	16'-9"	—
m(E)	16	#6	35'-4"	—
m1(E)	16	#6	36'-4"	—
m2(E)	48	#6	8'-11"	—
m3(E)	52	#6	5'-0"	—
s(E)	138	#4	9'-8"	┐
s1(E)	158	#4	7'-10"	┐
s2(E)	184	#5	2'-8"	┐
u(E)	144	#5	2'-9"	┐
v(E)	144	#5	4'-1"	┐

INSIDE ELEVATION OF PARAPET



PARAPET JOINT DETAILS



**TOP PLAN
(Showing Aluminum Tube)**

SECTION THRU SIDEWALK

* Depth of Form Liner Pattern shall not exceed 1 1/2"

Notes:
Fiberglass pipe shall conform to ASTM D2996, with short-time rupture strength hoop tensile stress of 30,000 p.s.i. minimum.
Floor Drains need not be painted.

DESIGNED	JMT
CHECKED	BLB
DRAWN	JMT
CHECKED	BLB

**PARAPET DETAILS
STRUCTURE NO. 022-0033**

Bars indicated thus 5 x 4 - #5 etc. indicates 5 lines of bars with 4 lengths per line.
See Sheet 1 of 27 for Deck Drain locations.
Curing compound shall not be applied to the concrete parapets before Staining Concrete Structures is complete. See Special Provisions.

rjngroup Excellence through Ownership 200 West Front Street Wheaton, IL 60187	SHEET NO. 17	F.A.P. RTE. 311	SECTION 10HB-R	COUNTY Du Page	TOTAL SHEETS 53	SHEET NO. 33
	27 SHEETS	CONTRACT NO. 60B92		FED. ROAD DIST. NO. - ILLINOIS FED. AID PROJECT		

8/17/2009 K:\112255\03\Structures\Final_Plan\Superstructure.dgn