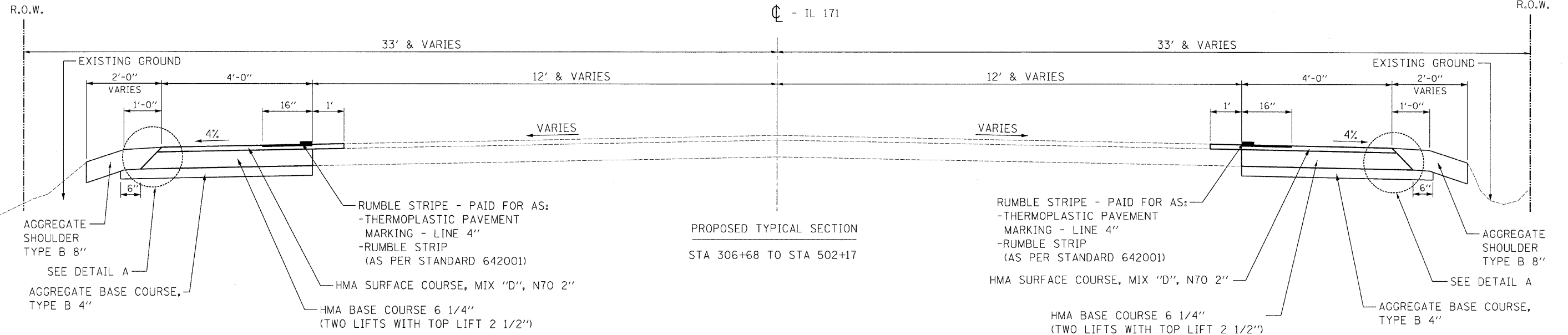


** LOCATION OF SAWCUT TO BE DETERMINED BY THE ENGINEER



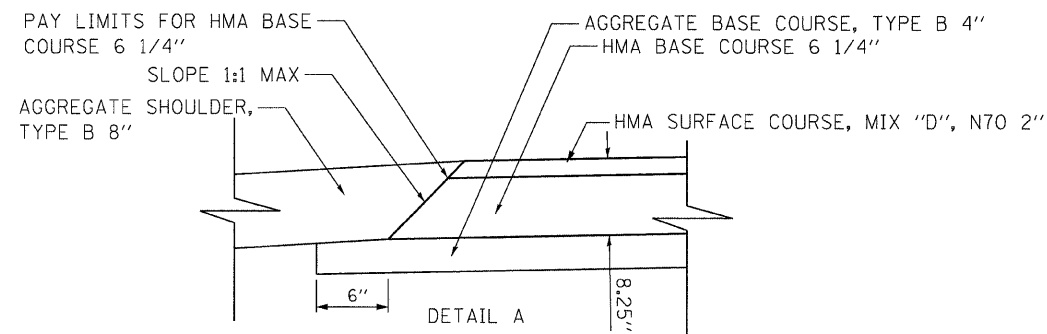
HOT-MIX ASPHALT MIXTURE REQUIREMENTS CHART

OPERATIONS	MIXTURE TYPE	PERCENT AIR VOIDS
SHOULDER RECONSTRUCTION	HOT-MIX ASPHALT SURFACE COURSE, MIX "D", N70 (IL-9.5MM)	4% @ 70 GYR
	HOT-MIX ASPHALT BASE COURSE, 6 1/4" (HMA BINDER IL-19MM)	4% @ 70 GYR

THE UNIT WEIGHT USED TO CALCULATE ALL HMA SURFACE MIXTURE QUANTITIES IS 112 LBS/SQ YD/IN.

THE "AC TYPE" FOR POLYMERIZED HMA MIXES SHALL BE "SBS/SBR PG 70-22" AND FOR NON-POLYMERIZED HMA THE "AC TYPE" SHALL BE "PG 64-22" UNLESS MODIFIED BY DISTRICT ONE SPECIAL PROVISIONS

FOR "PERCENT RAP" SEE DISTRICT ONE SPECIAL PROVISIONS



NOTE:
ANY FILL NECESSARY UNDER THE HMA SHOULDER OR AGGREGATE SHOULDER SHALL BE TRENCH BACKFILL.

FILE NAME = N:\PROJ\3368\3368-25\Design\Proposed\en\3368-25-08_Typical_Sections.dgn

Ciorba Group, Inc.
CONSULTING ENGINEERS
5507 North Cumberland Avenue, Suite 402
Chicago, Illinois 60656
Tel. 773.775.4009 Fax 773.775.4014

USER NAME = ogutowski	DESIGNED DD	REVISED -
PLOT SCALE = 4.0000' / IN.	DRAWN DD	REVISED -
PLOT DATE = 12/16/2009	CHECKED WBL	REVISED -
	DATE 12/16/2009	REVISED -

STATE OF ILLINOIS
DEPARTMENT OF TRANSPORTATION

IL 171
IL 83 TO 104TH ST
TYPICAL SECTIONS

SCALE: SHEET NO. OF SHEETS STA. TO STA.

F.A.P. RTE.	SECTION	COUNTY	TOTAL SHEETS	SHEET NO.
3565	2009-066 I	COOK	42	4
CONTRACT NO. 60H72				
FED. ROAD DIST. NO. 1 [ILLINOIS] FED. AID PROJECT				