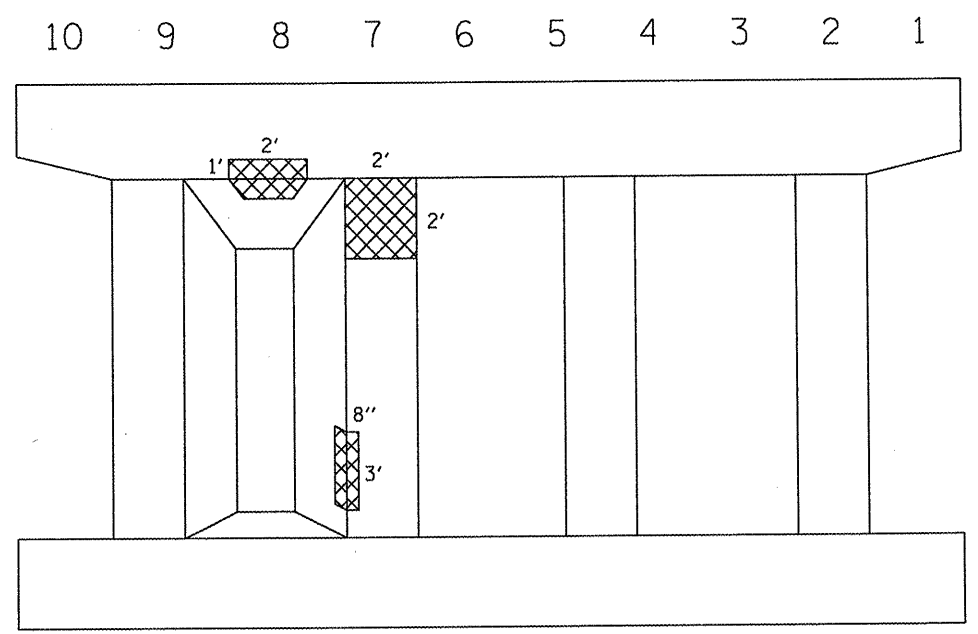
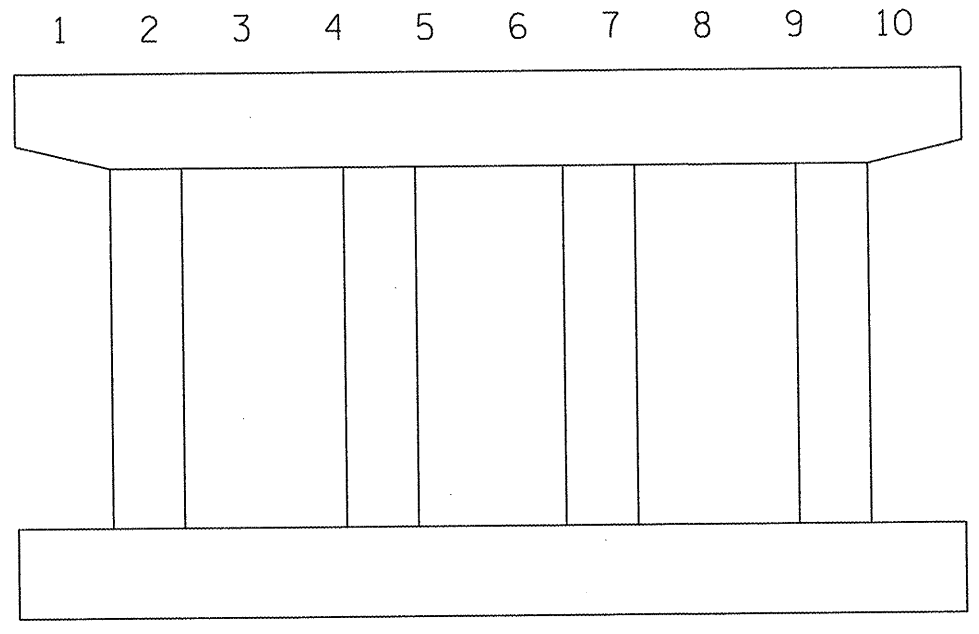


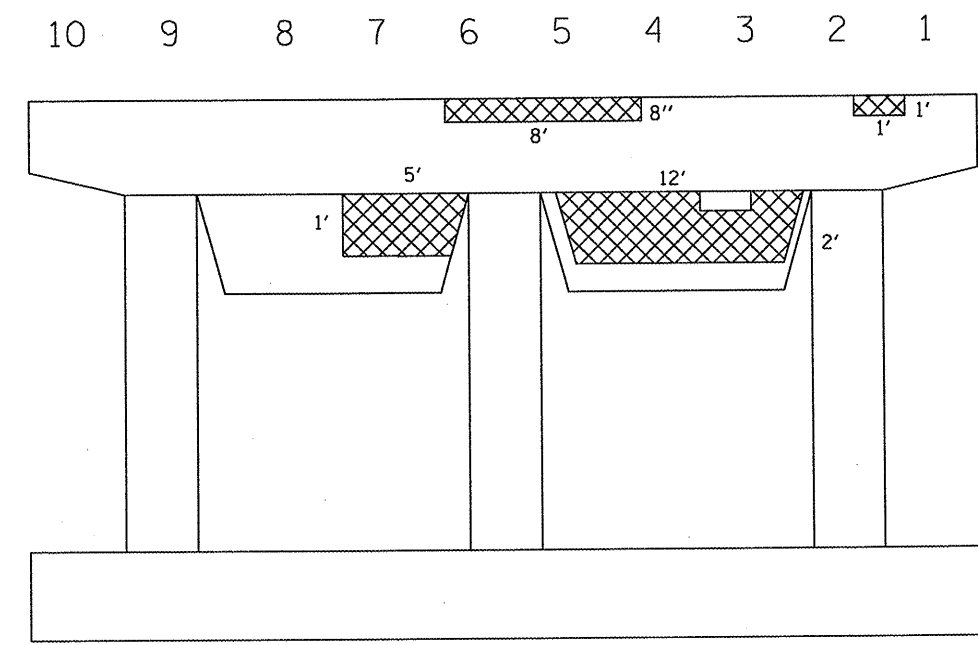
016-1029: I-290EB (IKE EXPWY/CONGRESS)/I-90/94 (DAN RYAN EXPWY)
 LOCATION: .5 M W. CHICAGO RIVER



PIER 7 WEST FACE



PIER 7 EAST FACE



PIER C1 WEST FACE

 STRUCTURAL REPAIR OF CONCRETE ≤ 5"

FILE NAME =	USER NAME = estimblek	DESIGNED -	REVISED -
ct\pw_work\pwidot\estimblek\d0161538\0161309-shr-plan.dgn		DRAWN -	REVISED -
		CHECKED -	REVISED -
		DATE -	REVISED -

**STATE OF ILLINOIS
 DEPARTMENT OF TRANSPORTATION**

LOCATION 1
SN 061-1029: I-290EB (IKE EXPWY/CONGRESS)/I-90/94 (DAN RYAN EXPWY)

F.A.P. RTE.	SECTION	COUNTY	TOTAL SHEETS	SHEET NO.
VAR.	2009-069 BR	COOK	39	8
CONTRACT NO. 60H74			ILLINOIS FED. AID PROJECT	