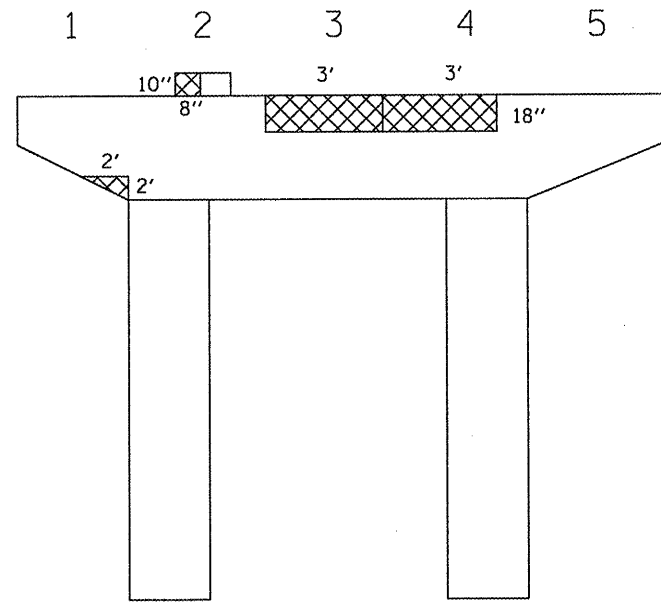
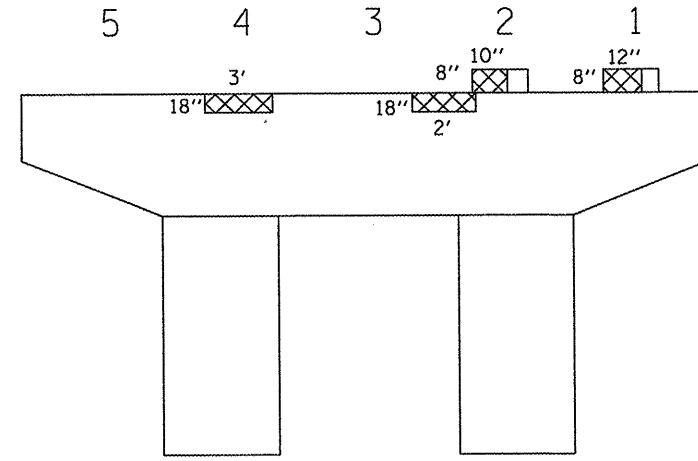


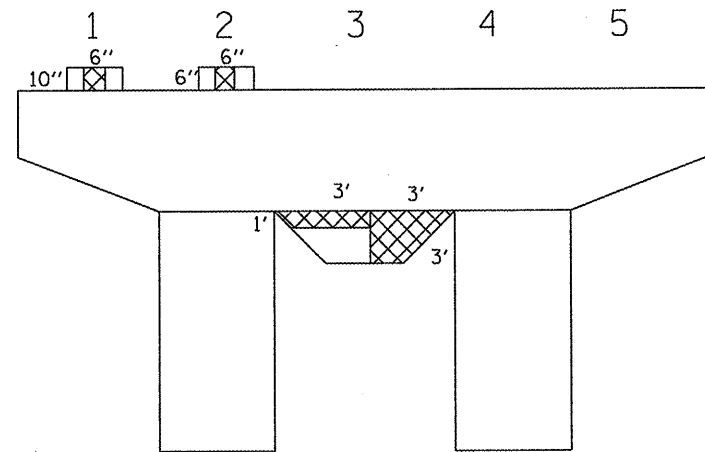
016-2448: I-290WB RAMP TO I-94 NB  
 LOCATION: .1 M W. CANAL



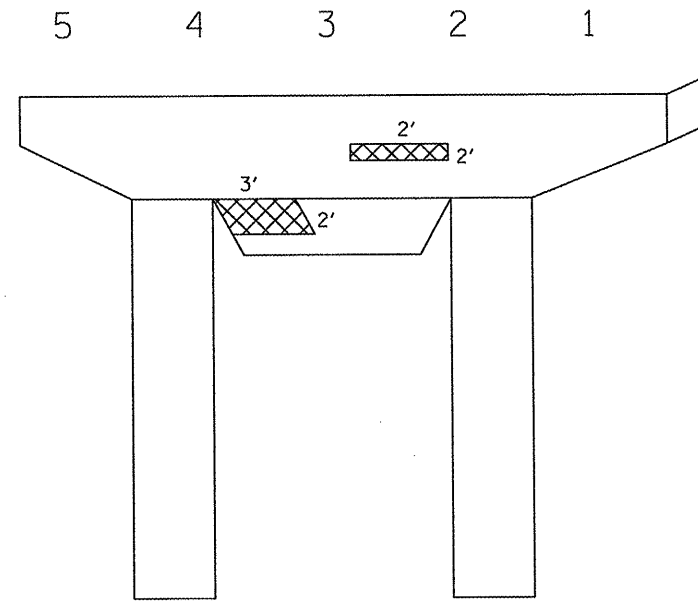
PIER 41 EAST FACE



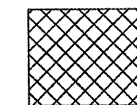
PIER 41 WEST FACE



PIER 42 EAST FACE



PIER 42 WEST FACE



STRUCTURAL REPAIR OF CONCRETE < 5"

FILE NAME =	USER NAME = estimblek	DESIGNED -	REVISED -
ct:\pwork\VPWIDOT\ESTIMBLEK\j0161538\0	01309-sht-plan.dgn	DRAWN -	REVISED -
PLOT SCALE = 100.0000' / IN.	CHECKED -	REVISED -	REVISED -
PLOT DATE = 1/5/2010	DATE -	REVISED -	REVISED -

STATE OF ILLINOIS  
 DEPARTMENT OF TRANSPORTATION

LOCATION 3	
SN 016-2448: I-290 WB RAMP TO I-94 NB	
SCALE:	TO STA.
SHEET NO. 2 OF 3 SHEETS	STA.

F.A.P. RTE.	SECTION	COUNTY	TOTAL SHEETS	SHEET NO.
VAR.	2009-069 BR	COOK	39	14
CONTRACT NO. 60H77			ILLINOIS FED. AID PROJECT	