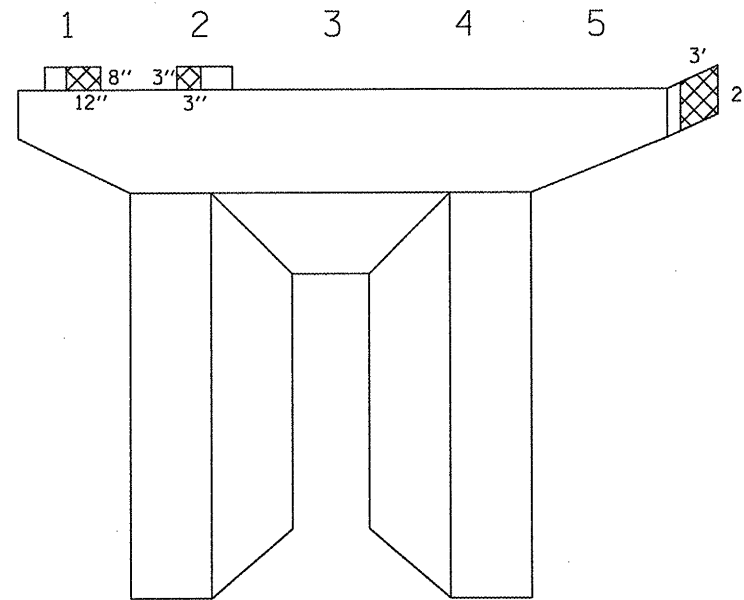
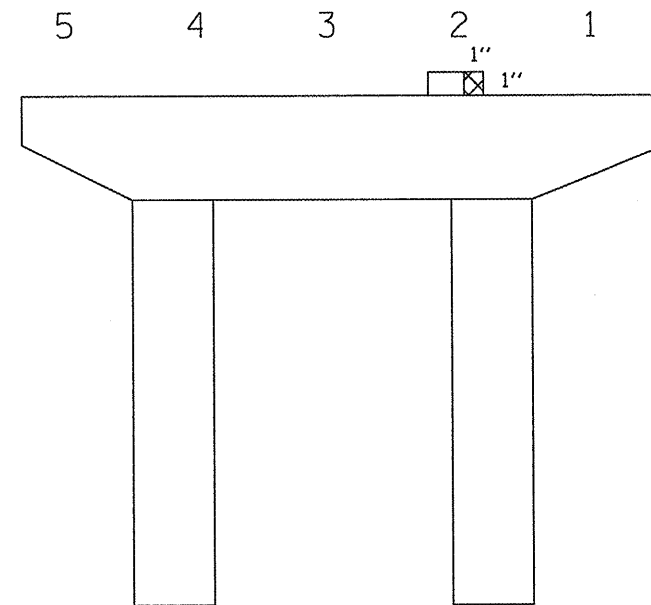


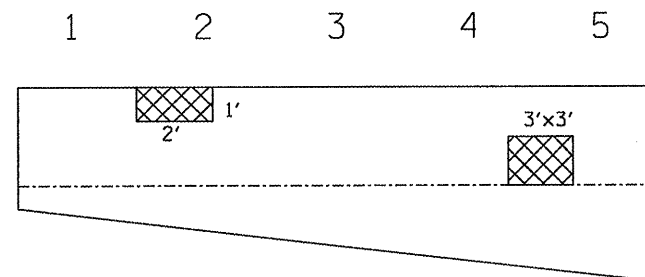
016-2448: I-290WB RAMP TO I-94 NB  
 LOCATION: .1 M W. CANAL



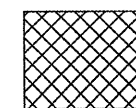
PIER 43 EAST FACE



PIER 43 WEST FACE



NORTH ABUTMENT # 44



STRUCTURAL REPAIR OF CONCRETE  $\leq$  5"

FILE NAME =	USER NAME = estmablek
ca:\pwwork\pwwid\ESTIMABLEK\d0161538\0	01389-ah-plant.dgn
PLOT SCALE = 100.0000' / IN.	PLOT DATE = 1/5/2010

DESIGNED -	REVISED -
DRAWN -	REVISED -
CHECKED -	REVISED -
DATE -	REVISED -

**STATE OF ILLINOIS  
 DEPARTMENT OF TRANSPORTATION**

<b>LOCATION 3</b>	
<b>SN 016-2448: I-290 WB RAMP TO I-94 NB</b>	
SCALE:	SHEET NO. 3 OF 3 SHEETS
STA.	TO STA.

F.A.P. RTE.	SECTION	COUNTY	TOTAL SHEETS	SHEET NO.
VAR.	2009-069 BR	COOK	39	15
CONTRACT NO. 60H77			ILLINOIS FED. AID PROJECT	