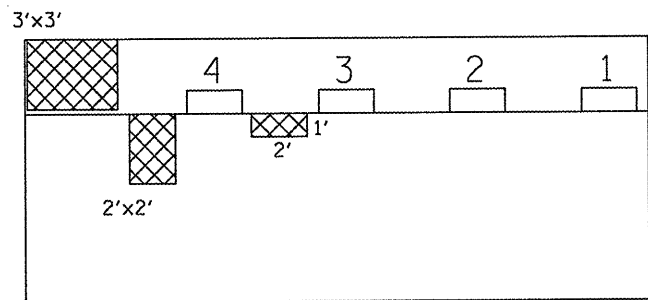
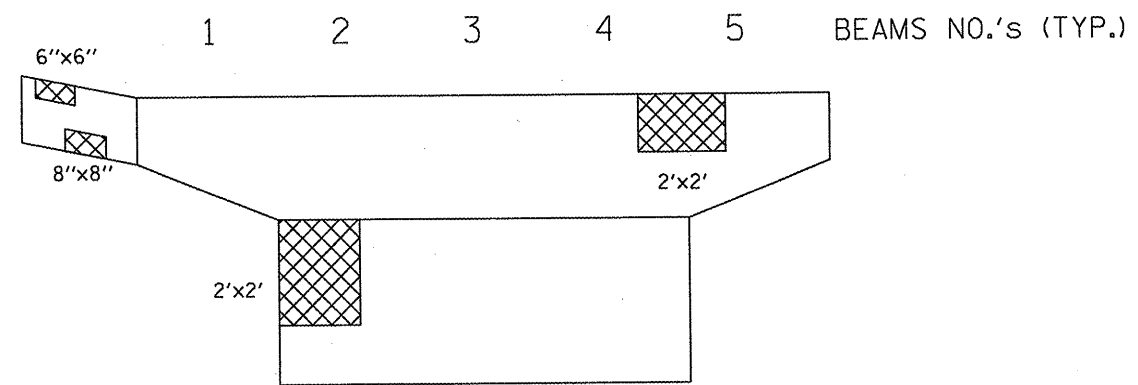


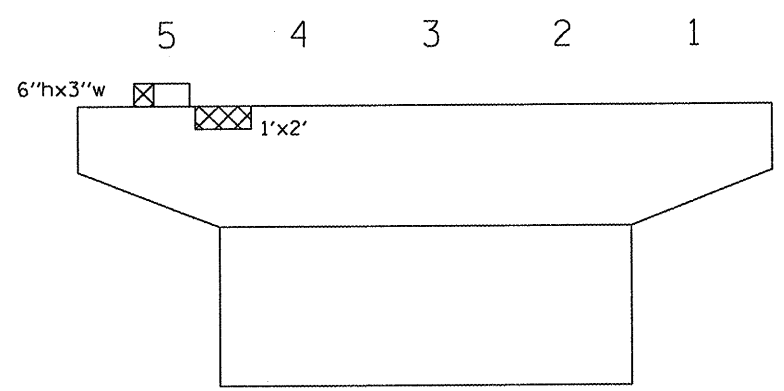
016-2449: I-90, 94 NB RAMP TO I-290 WB/I-90, 94
 LOCATION: .4 M NORTH ROOSEVELT



SOUTH ABUTMENT # 77



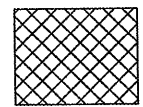
PIER 76 SOUTH FACE



PIER 76 NORTH FACE

SN 016-2449 TOTAL BILL OF MATERIAL

DESCRIPTION	UNIT	QUANTITY
STRUCTURAL REPAIR OF CONCRETE ≤ 5"	SQ FT	206



STRUCTURAL REPAIR OF CONCRETE ≤ 5"

D:\1309-sht-plan.dgn 1/5/2010 2:15:31 PM User=estmablek