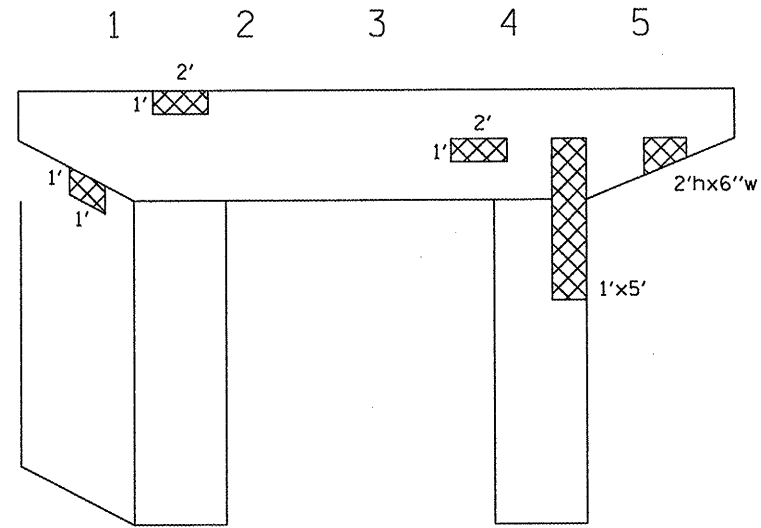
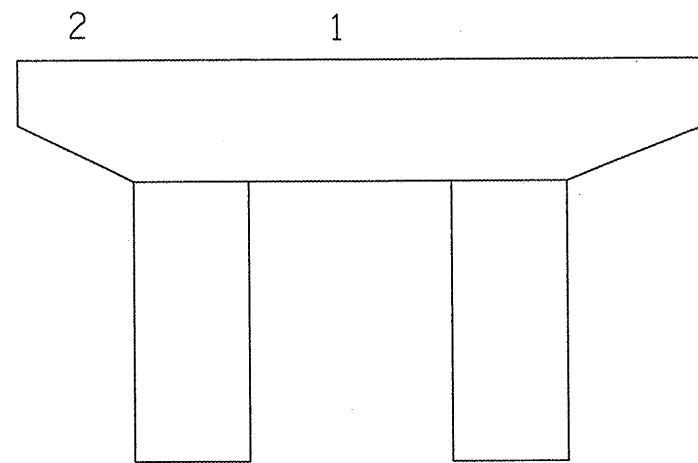


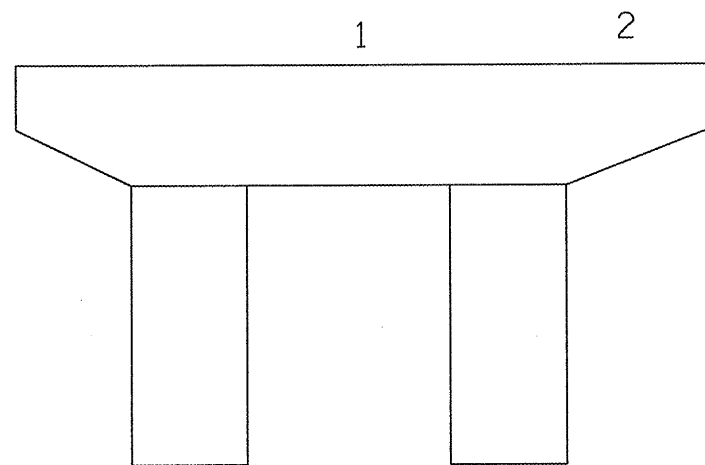
016-2449: I-90, 94 NB RAMP TO I-290 WB/I-90, 94
 LOCATION: .4 M NORTH ROOSEVELT



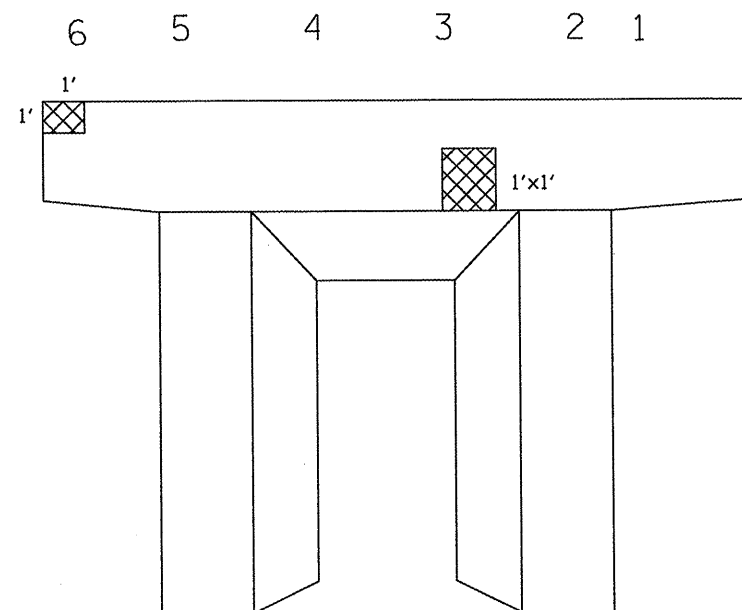
PIER 75 SOUTH FACE



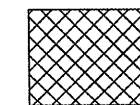
PIER 75 NORTH FACE



PIER 74 EAST FACE



PIER 74 WEST FACE
 (KENNEDY SIDE OF THE PIER)



STRUCTURAL REPAIR OF CONCRETE \leq 5"

FILE NAME =	USER NAME = estmablek	DESIGNED -	REVISED -
cr\pw\work\pwi\dot\estmablek\d0161538\0161309-sht-plan.dgn		DRAWN -	REVISED -
		CHECKED -	REVISED -
		DATE -	REVISED -

STATE OF ILLINOIS
DEPARTMENT OF TRANSPORTATION

LOCATION 4	
SN 016-2449: I-90, 94 NB RAMP TO I-290 WB/I-90, 94	
SCALE:	TO STA.
SHEET NO. 2 OF 4 SHEETS	

F.A.P. RTE. VAR.	SECTION 2009-069 BR	COUNTY COOK	TOTAL SHEETS 39	SHEET NO. 17
CONTRACT NO. 60H77				
ILLINOIS FED. AID PROJECT				