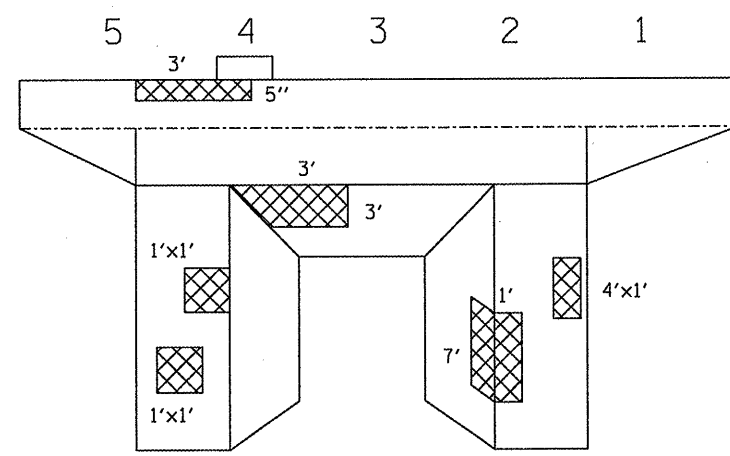
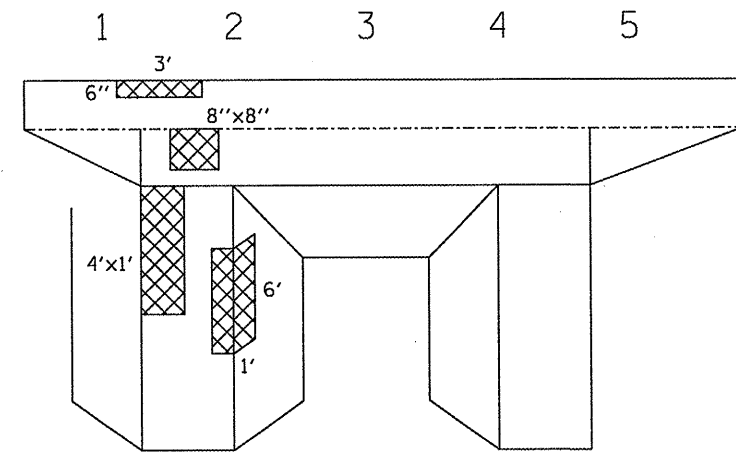


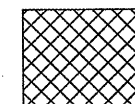
016-2449: I-90, 94 NB RAMP TO I-290 WB/I-90, 94
 LOCATION: .4 M NORTH ROOSEVELT



PIER 72 WEST FACE



PIER 72 EAST FACE



STRUCTURAL REPAIR OF CONCRETE \leq 5"

FILE NAME =	USER NAME = estimeblek	DESIGNED -	REVISED -	STATE OF ILLINOIS DEPARTMENT OF TRANSPORTATION	LOCATION 4		F.A.P. RTE.	SECTION	COUNTY	TOTAL SHEETS	SHEET NO.
cr\pwwork\pwwork\estimeblek\d0161538\0161389-sht-plan.dgn		DRAWN -	REVISED -		SN 016-2449: I-90, 94 NB RAMP TO I-290 WB-I-90, 94		VAR.	2009-069 BR	COOK	39	18
		CHECKED -	REVISED -		SCALE:	SHEET NO. 3 OF 4 SHEETS	STA.			CONTRACT NO. 60H77	
		DATE -	REVISED -							ILLINOIS FED. AID PROJECT	
PLOT SCALE = 100,0000' / IN.		PLOT DATE = 1/5/2010									