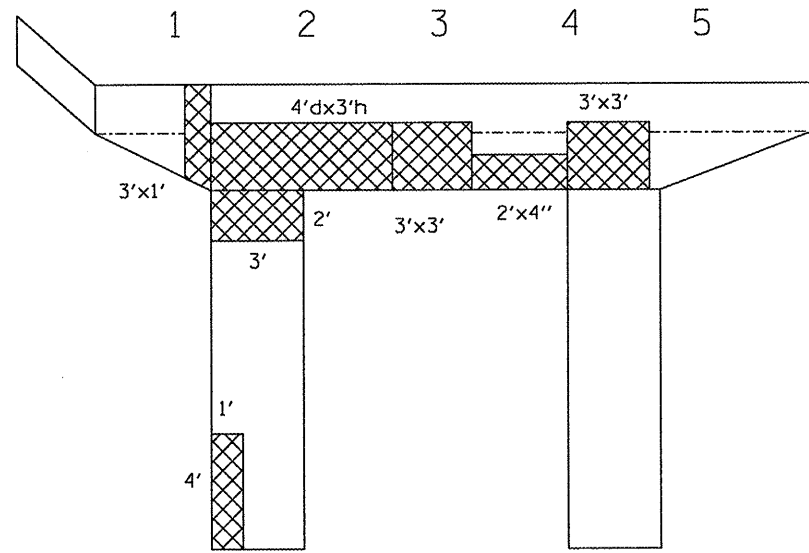
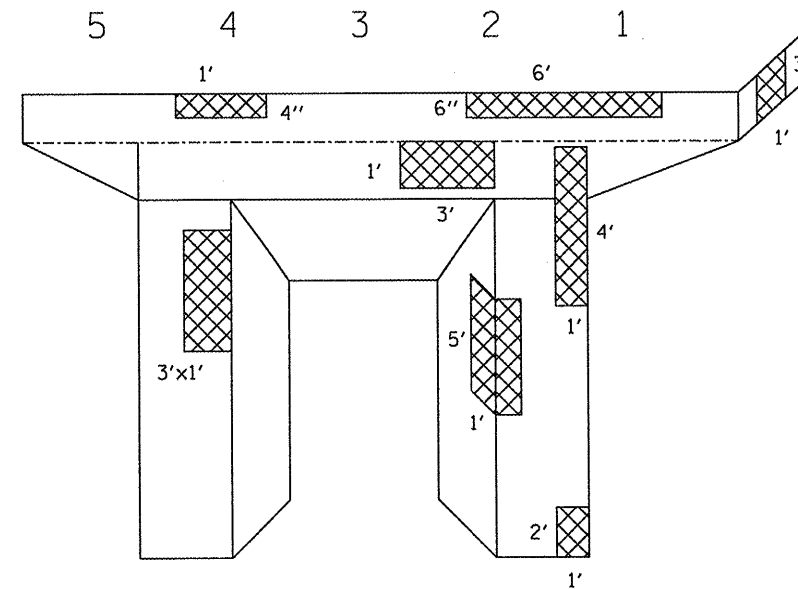


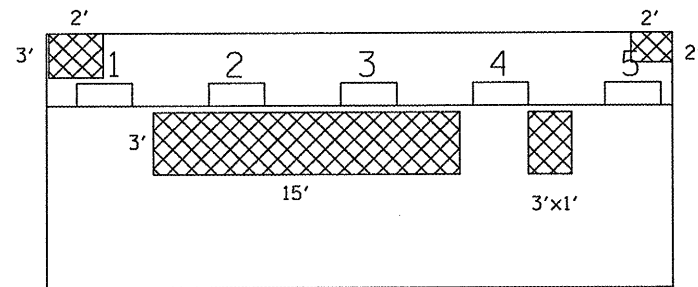
016-2449: I-90, 94 NB RAMP TO I-290 WB/I-90, 94  
 LOCATION: .4 M NORTH ROOSEVELT



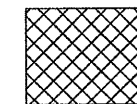
PIER 71 EAST FACE



PIER 71 WEST FACE



WEST ABUTMENT #70



STRUCTURAL REPAIR OF CONCRETE  $\leq$  5"

FILE NAME =	USER NAME = estimeblek	DESIGNED -	REVISED -	<b>STATE OF ILLINOIS DEPARTMENT OF TRANSPORTATION</b>	<b>LOCATION 4</b>		F.A.P. RTE.	SECTION	COUNTY	TOTAL SHEETS	SHEET NO.
ct:\pwwork\pwwork\estimeblek\d0161538\0161309-shr-plan.dgn		DRAWN -	REVISED -		<b>SN 016-2449: I-90, 94 NB RAMP TO I-290 WB-I-90, 94</b>		VAR.	2009-069 BR	COOK	39	19
		CHECKED -	REVISED -		SCALE:	SHEET NO. 4 OF 4 SHEETS	STA.			<b>CONTRACT NO. 60H77</b>	
		DATE -	REVISED -				TO STA.			ILLINOIS FED. AID PROJECT	