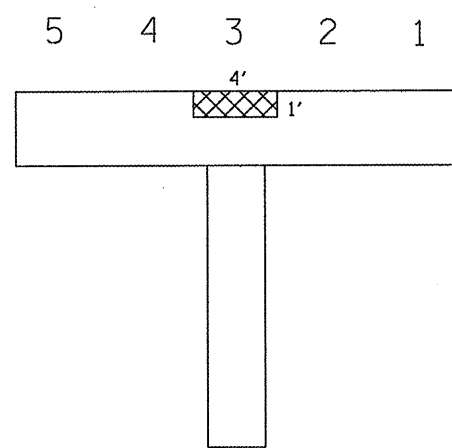
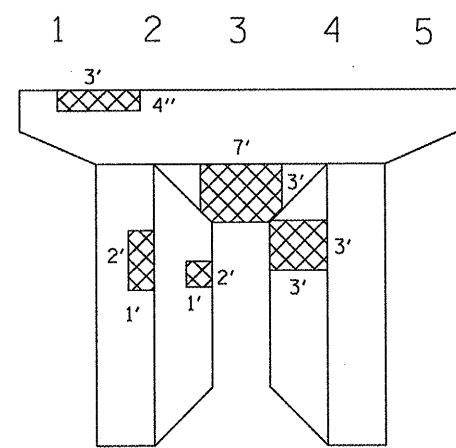


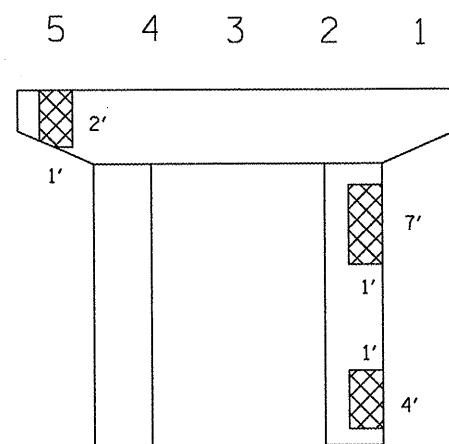
016-2450: I-290 WB RAMP TO I-90, 94 SB/I-90, 94
 LOCATION: .9 M W. STATE ST.



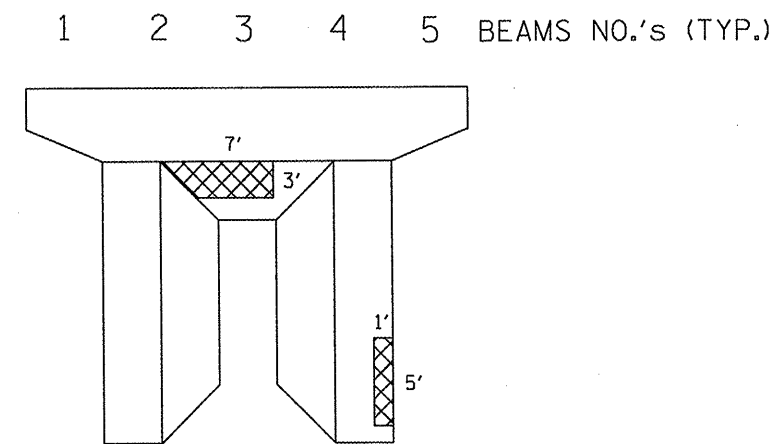
PIER E9 WEST FACE



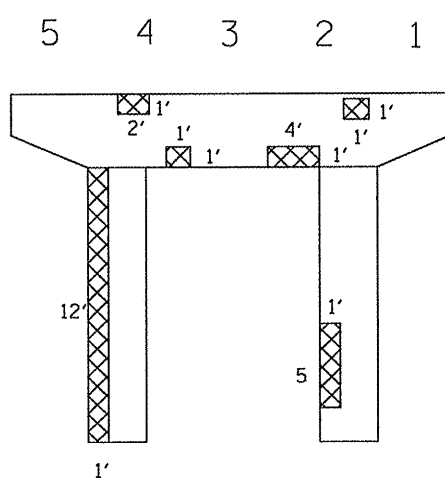
PIER 66 EAST FACE



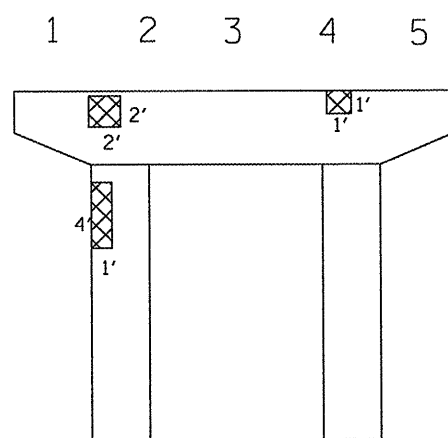
PIER 66 WEST FACE



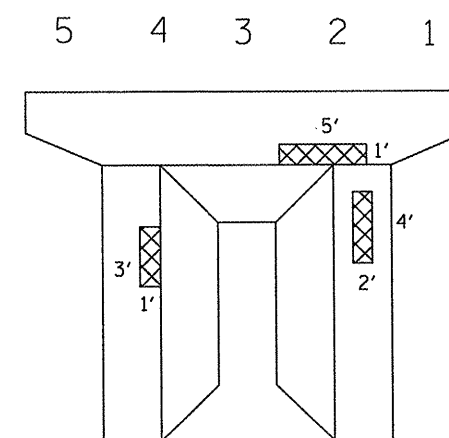
PIER 65 EAST FACE



PIER 65 WEST FACE



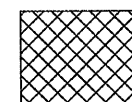
PIER 64 EAST FACE



PIER 64 WEST FACE

SN 016-2450 TOTAL BILL OF MATERIAL

| DESCRIPTION | UNIT | QUANTITY |
|---|-------|----------|
| STRUCTURAL REPAIR OF CONCRETE \leq 5" | SQ FT | 1182 |
| TEMPORARY SUPPORT | EA | 2 |



STRUCTURAL REPAIR OF CONCRETE \leq 5"