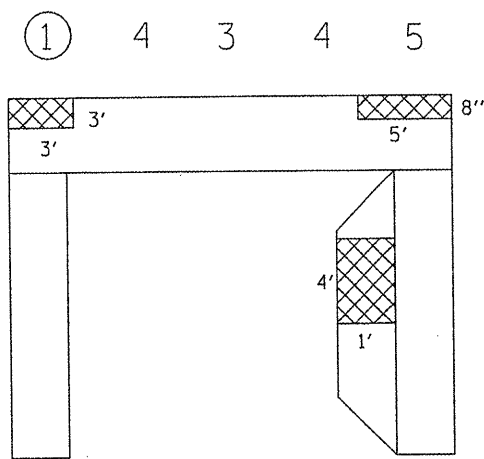
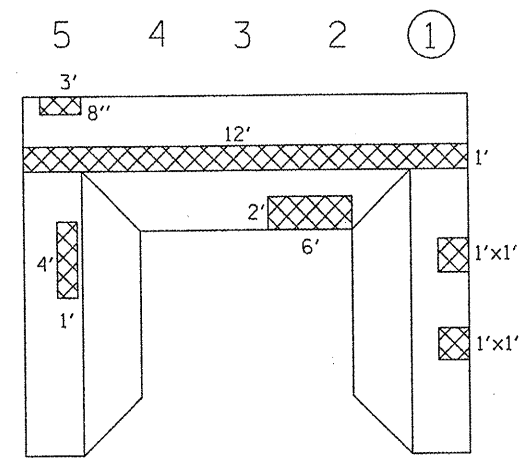


016-2450: I-290 WB RAMP TO I-90, 94 SB/I-90, 94
 LOCATION: .9 M W. STATE ST.

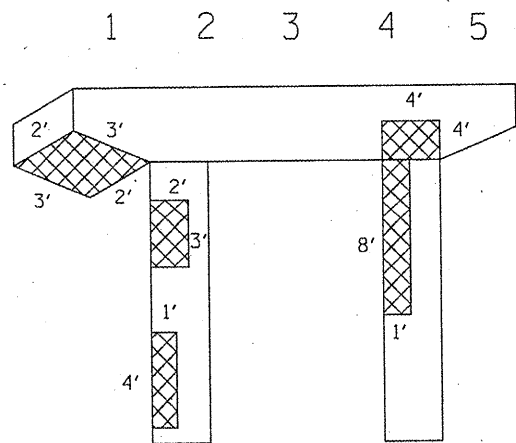


PIER 63 EAST FACE

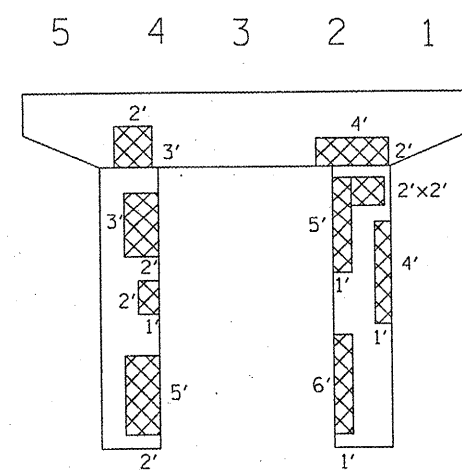


PIER 63 WEST FACE

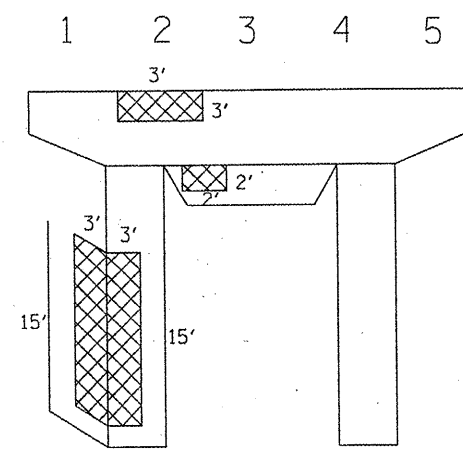
REACTIONS		
	PIER 63	
	East	West
R DL (k)	32.8	41.3
R LL (k)	33.7	35.3
R Imp (k)	9.8	9.5
T Total (k)	76.3	86.1



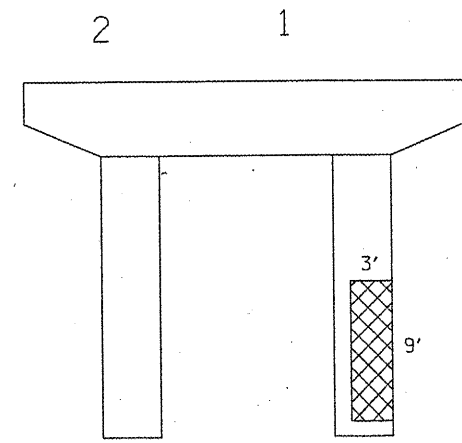
PIER 61 EAST FACE



PIER 61 WEST FACE

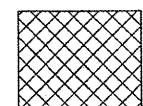


PIER 60 EAST FACE



PIER 60 WEST FACE

○ BEAM NO. REQUIRING TEMPORARY SUPPORT SYSTEM



STRUCTURAL REPAIR OF CONCRETE ≤ 5"